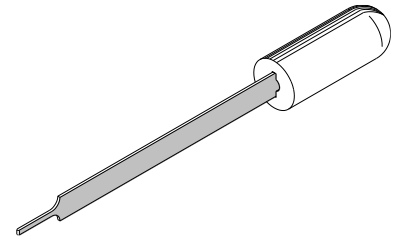




**Insertion and
Extractor Tool
(HTA2174)**

**Application Tooling
Specification Sheet**



Order No. 11-03-0016

FEATURES

- This tool is designed to extract many different terminal series from various plug and receptacle housings. See Chart below.

SCOPE

Products: See Chart below.

Terminal Series No.	Description	Housing Series No.	Terminal Order No.						
1508	Flat Blade Female, 14-18 AWG Or 18AWG DBL Crimp		05-06-0117	05-06-0118					
2478	3.96mm (.156") Pitch KK® Crimp Terminal 18-24 AWG	2139 2574 3069 5239 5265 6422 41695	08-50-0001	08-50-0006	08-50-0014	08-50-0015	08-50-0016	08-50-0045	
			08-50-0046	08-50-0047	08-50-0055	08-50-0056	08-50-0063	08-50-0064	
			08-50-0073	08-50-0074	08-50-0091	08-50-0093	08-50-0105	08-50-0106	
			08-50-0119	08-50-0120	08-50-0146	08-50-0147	08-50-0271	08-50-0281	
			08-51-0001	08-51-0720	08-52-0023	08-52-0024	08-52-0027	08-52-0044	
			08-52-0045	08-52-0046	08-52-0047	08-52-0071	08-52-0072	08-52-0073	
			08-52-0074	08-52-0811	08-52-0812	08-53-0004	08-53-0811	08-53-0812	
			08-55-0103	08-55-0104	08-55-0133	08-55-0134	08-56-0105	08-56-0106	
			08-56-0153	08-56-0154	08-58-0103	08-58-0104	08-58-0114	08-58-0115	
			08-58-0121	08-58-0122	08-65-0114	08-65-0115	39-00-0103	39-00-0104	
			39-00-0133	39-00-0134	39-00-0286	39-00-0342	39-00-0343	39-00-0344	
			39-00-0345	39-00-0346	39-00-0347	39-00-0348	39-00-0349	39-00-0350	
			40-01-1118	40-01-1120	50-29-1689	50-29-1762	50-29-1768	50-30-4428	
50-30-4429	50-34-8596	50-34-8597	50-36-1609	50-36-1611					
2578	3.96mm (.156") Pitch KK® Crimp Terminal 22-26 AWG	2139 2574 3069 5239 5265 6422 41695	08-50-0018	08-50-0019	08-50-0061	08-50-0062	08-50-0065	08-50-0066	
			08-50-0107	08-50-0108	08-50-0111	08-50-0133	08-50-0134	08-50-0504	
			08-52-0116	08-52-0117	08-55-0105	08-55-0106	08-55-0121	08-55-0123	
			08-55-0132	08-55-0137	08-56-0107	08-56-0108	08-56-0121	08-56-0122	
			08-56-0161	08-56-0162	08-56-0163	08-58-0125	08-58-0126	08-59-0101	
			08-60-0003	08-60-0004	08-65-0107	08-65-0108	08-65-0109	40-07-1105	
			08-65-0110	08-65-0111	08-65-0116	08-65-0117	40-01-1117	40-01-1119	
			40-07-1106	50-29-1767	50-29-1877	50-29-1878			
6838	3.96mm (.156") Pitch KK® Trifurcon 18-20 AWG	6422 41695	08-50-0024	08-50-0026	08-50-0028	08-50-0029	08-50-0187	08-50-0189	
			08-50-0251	08-50-0275	08-51-0106	08-51-0107	08-52-0112	08-52-0113	
			08-53-1101	08-53-1102	08-58-0102	08-58-0105	08-58-0106	08-58-0108	
			08-58-0109	08-58-0110	08-58-0111	08-58-0118	08-58-0119	08-58-0131	
			08-58-0132	08-58-0187	08-58-0189	08-60-0001	08-60-0002	50-29-1639	
			50-29-1763	50-29-1879					

Terminal Series No.	Description	Housing Series No.	Terminal Order No.					
7258	3.96mm (.156") Pitch KK® Trifurcon, 22-26 AWG	6422 41695	08-04-0001	08-50-0183	08-50-0185	08-50-0283	08-52-0124	08-52-0125
			08-56-0123	08-56-0124	08-56-0181	08-56-0182	08-58-0133	08-58-0134
			08-65-0121	08-65-0122	08-65-0126	08-65-0127		
45570	3.96mm (.156") Pitch MarKK® Trifurcon 18 to 20 AWG	6422 41695	45570-3000	45570-3002	45570-3004	45570-3050	45570-3052	
			45570-3054	45570-3102	45570-3104	45570-3202	455703204	
45606	3.96mm (.156") Pitch KK Humpback with Anti-Fish Hook 18 AWG	40611	45606-0004	45606-0005				
50639	2.00mm (.079") Pitch Crimp Terminal, Male	51145	50639-8028	50639-8128				
50837	2.50mm (.098") Pitch Mini-Lock™	51198	50837-8000	50837-8100				
172160	3.96mm Pitch EdgeMate™ 18-20AWG	172159 172879	172160-1801	172160-1802	172160-1803	172160-1804	172160-1805	172160-1806
172253	Ultra-Fit Receptacle Terminals 16-22 AWG	172256 172258	172253-3011	172253-3012	172253-3023	172253-3111	172253-3112	172253-3123

Note: All Individual terminals may be extracted from the housing using this Tool.

OPERATION:

1. Insert the Extractor Tool into the slot on the bottom of the connector housing as shown in Figure 1.
2. Depress the terminal-locating tab, push the terminal back through the connector slot and pull the terminated wire out in the direction of the arrow as shown.
3. On housings without exposed locking tab windows, insert as shown in Figure 2 to depress locking tab and pull wire out.

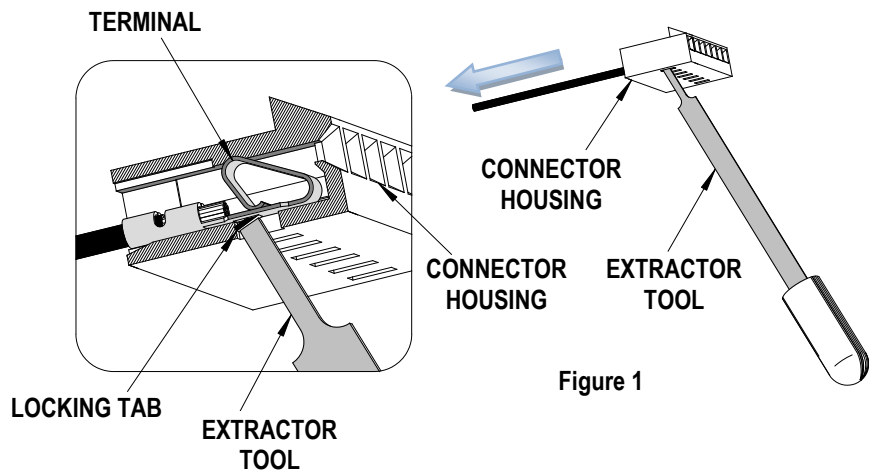


Figure 1

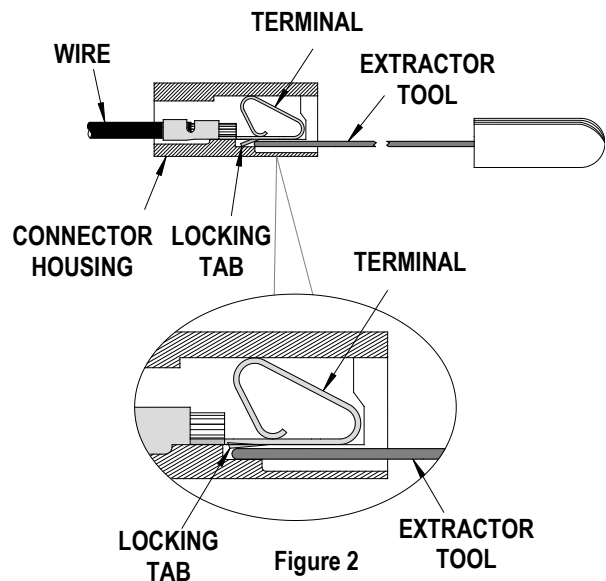
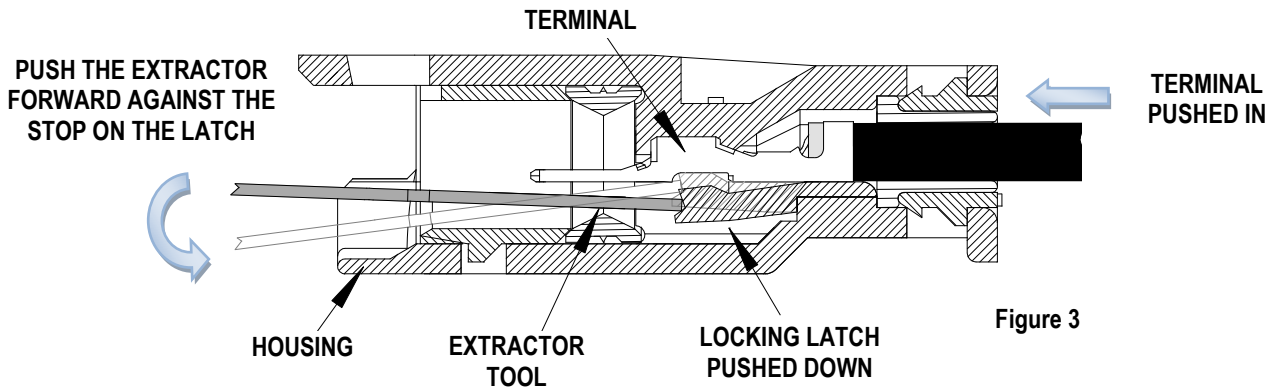


Figure 2

Note:
If the terminal does not extract, reinsert the Extractor Tool as shown in Figure 2 and slightly rotate clockwise (CW) and counter-clockwise (CCW) several times to depress the locking tab. Pull on the wire to extract the terminal.

For 50837 Terminal Series:

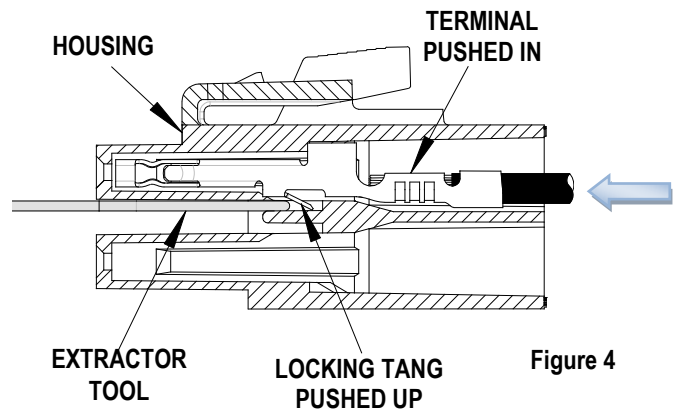
1. For terminal series 50837, push the terminal forward in the arrow direction before using the Extractor Tool.
2. Insert the tip of the Extractor Tool below the pin of the terminal in the front end opening of the connector.
3. Push the Extractor Tool forward, between the terminal and locking latch in the housing, until it stops. This will separate the latch from the terminal.
4. Depress the locking latch and pull the wire and terminal back through the connector slot. See Figure 3.



NOTE: Figure 3 does not show an exact representation of the 51198 housing.

For 172253 Terminal Series:

1. Push the terminal forward in the arrow direction before using the Extractor Tool as shown in Figure 4.
2. Insert the Extractor Tool into the slot on the side of the connector housing.
3. Depress the terminal locking tang and push the terminal back through the connector slot.
3. Pull the terminated wire out. See Figure 4.



CAUTION: This extractor tool should be used to extract the terminal only. Using it for unintended purposes may cause injury or damage to parts. Be careful not to deform the end of the terminal.

CAUTION: Molex specifications are valid only when used with Molex terminals, applicators and tooling.

Molex does not offer repair parts for Extractor Tools due to the inexpensive nature of these tools.

Contact Information

For more information on Molex application tooling please contact Molex at 1-800-786-6539.

Visit our Web site at <http://www.molex.com>