

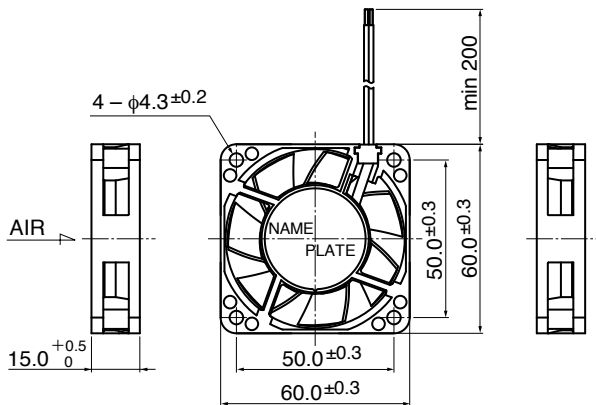
# 06015VA (2406VL)

# 60<sup>□</sup>X15<sup>L</sup>

## DC Axial Fan



### Outline



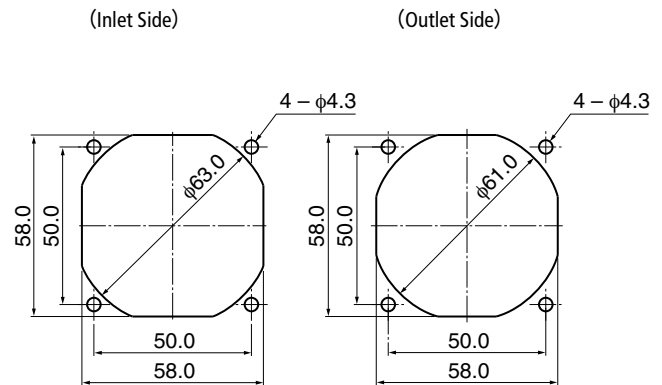
### General Specifications

Motor Protection	Auto Restart / Polarity Protection
Insulation Resistance	10M $\Omega$ or over with a DC500V Megger
Dielectric Withstand Voltage	: AC700V 1s
Allowable Ambient Temperature Range	: - 10 $^{\circ}$ C ~ + 70 $^{\circ}$ C (Operating) - 40 $^{\circ}$ C ~ + 70 $^{\circ}$ C (Storage) non-condensing environment

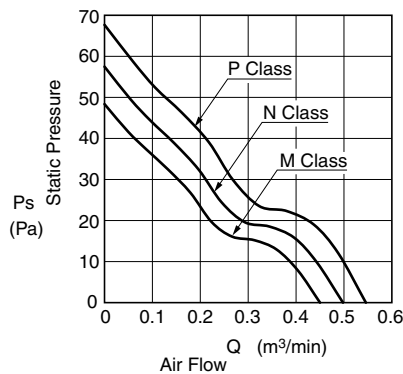
### Expected Life ※ Failure Rate: 10% (L10 Life)

60 $^{\circ}$ C 40,000 (Hours)

### Panel Out-cuts



### Characteristic Curves



### Material

Casing	: Plastic (Black) UL94V-0
Impeller	: Plastic (Black) UL94V-0
Bearing	: Ball Bearing
Lead Wire	: UL3385 AWG26 + : Red, - : Black

Customize service for IP compatible type and Oil-proof type is available for this item. Please contact to our sales representative for more detail.

### Specifications

Model	Product No.	Rating Voltage	Operating Voltage	Current	Input Power	Speed	Max. Air Flow		Max. Static Pressure	Noise	Mass	
		(V)	(V)	(A)*1	(W)*1	(min <sup>-1</sup> )*1	(m <sup>3</sup> /min)*1	(CFM)*1	(Pa)*1	(In H <sub>2</sub> O)*1	(dB)*1	(g)
06015VA-12M-AA-	00	12	6.0 ~ 13.8	0.11	1.32	4600	0.45	15.9	48.3	0.19	31.0	55
06015VA-12N-AA-	00			0.12	1.44	5100	0.50	17.7	57.5	0.23	33.5	
06015VA-12P-AA-	00			0.13	1.56	5600	0.55	19.4	67.7	0.27	36.5	
06015VA-24M-AA-	00	24	10.0 ~ 27.6	0.05	1.20	4600	0.45	15.9	48.3	0.19	31.0	
06015VA-24N-AA-	00			0.06	1.44	5100	0.50	17.7	57.5	0.23	33.5	
06015VA-24P-AA-	00			0.07	1.68	5600	0.55	19.4	67.7	0.27	36.5	

Rotation: Clockwise as seen from the label side  
Airflow Outlet: Label side

\*1: Average Values in Free Air

## General Specifications

### Motor Protection:

Auto Restart/Polarity Protection

### Insulation Resistance:

10M Ω or over with a DC500V Megger

### Dielectric Withstand Voltage: AC 700V 1s

### Allowable Ambient Temperature Range:

-10°C ~ +70°C (Operating)

-40°C ~ +70°C (Storage)

IP Code: IP69K

## Expected Life

25°C 100,000 Hours (L10)

## Material

Casing : Plastic (Black) UL94V-0

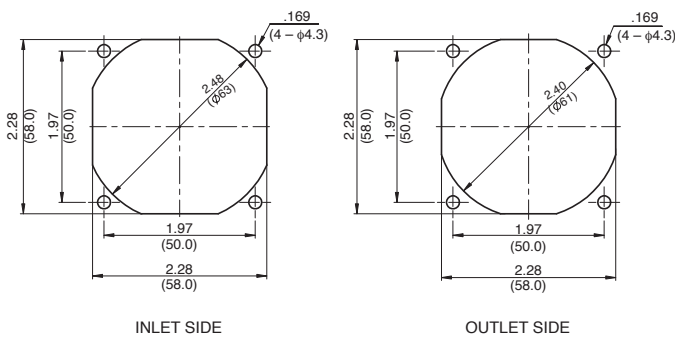
Impeller : Plastic (Black) UL94V-0

Bearing : Ball Bearing

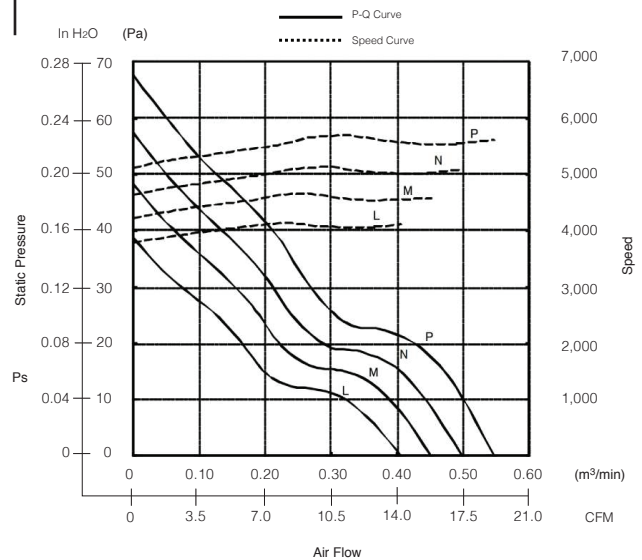
Lead Wire : UL3385, AWG26, +Red, -Black

## Panel Cut-Outs

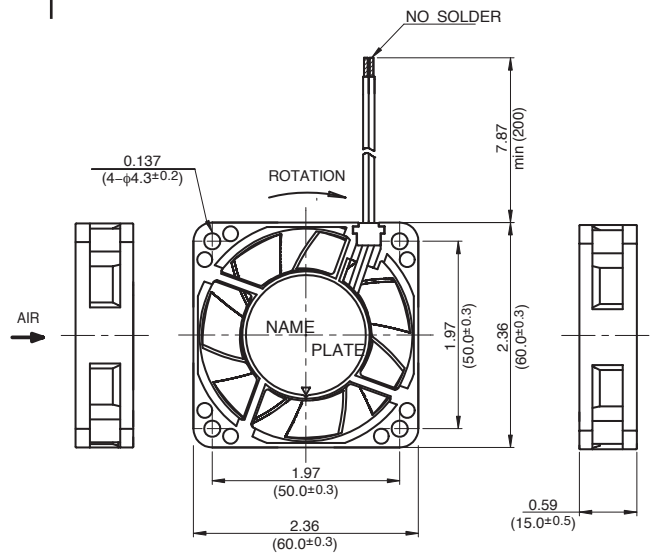
Units:  $\frac{\text{inch}}{\text{mm}}$



## Characteristic Curves



## Outline



## Specifications

MODEL	Rated Voltage	Operating Voltage	Current	Input Power	Speed	Max. Air Flow		Max. Static Pressure		Noise	Mass
	(V)	(V)	(A) <sup>*1</sup>	(W) <sup>*1</sup>	(min <sup>-1</sup> ) <sup>*1</sup>	CFM <sup>*1</sup>	(m <sup>3</sup> /min) <sup>*1</sup>	in H <sub>2</sub> O	(Pa) <sup>*1</sup>	(dB) <sup>*1</sup>	(g)
06015VA-24L-CA-00	24	10.0 ~ 27.6	0.04	0.96	4100	14.48	0.41	.16	38.8	28.5	60
06015VA-24M-CA-00	24	10.0 ~ 27.6	0.05	1.20	4600	15.89	0.45	.19	48.3	31.0	60
06015VA-24N-CA-00	24	10.0 ~ 27.6	0.06	1.44	5100	17.66	0.50	.23	57.5	33.5	60
06015VA-24P-CA-00	24	10.0 ~ 27.6	0.07	1.68	5600	19.42	0.55	.27	67.7	36.5	60

Rotation: Clockwise

Airflow Outlet: Air Out Over Struts

\*1: Average Values in Free Air

Note: PWM/Locked Rotor/Tach Available