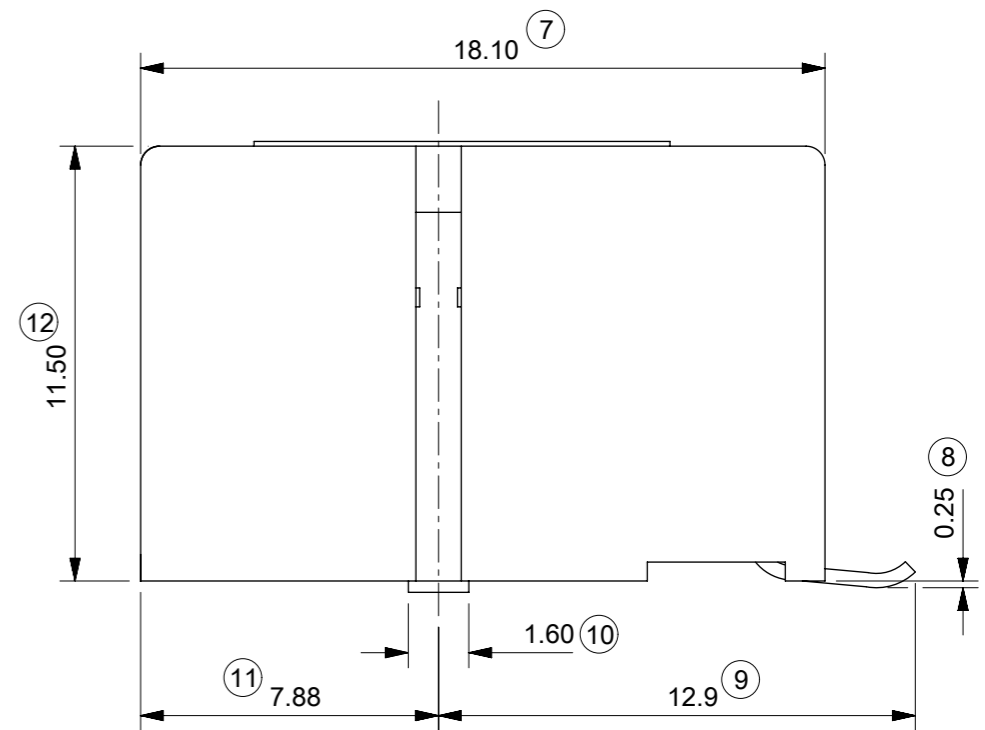
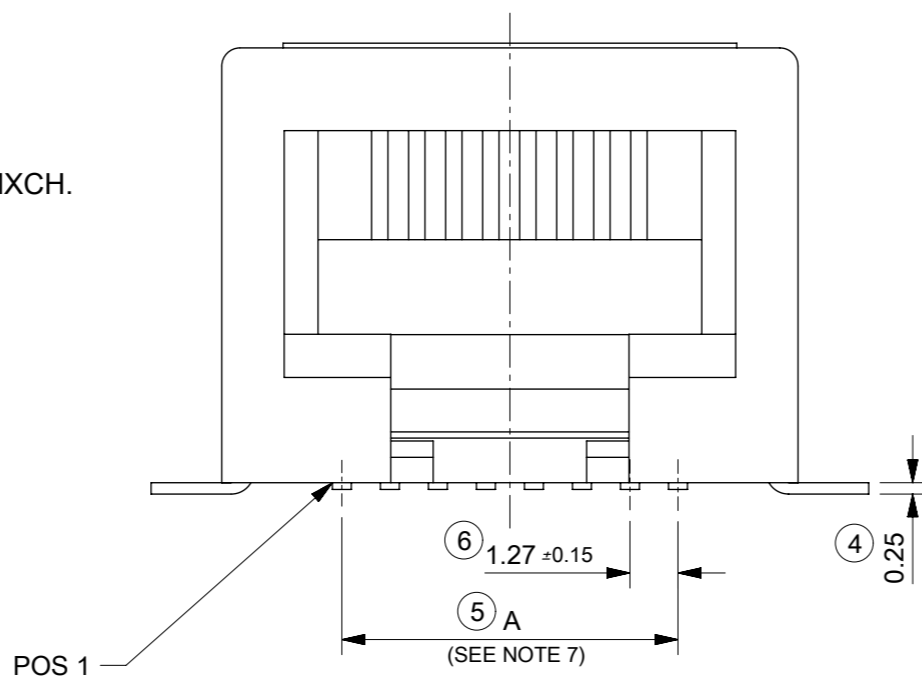
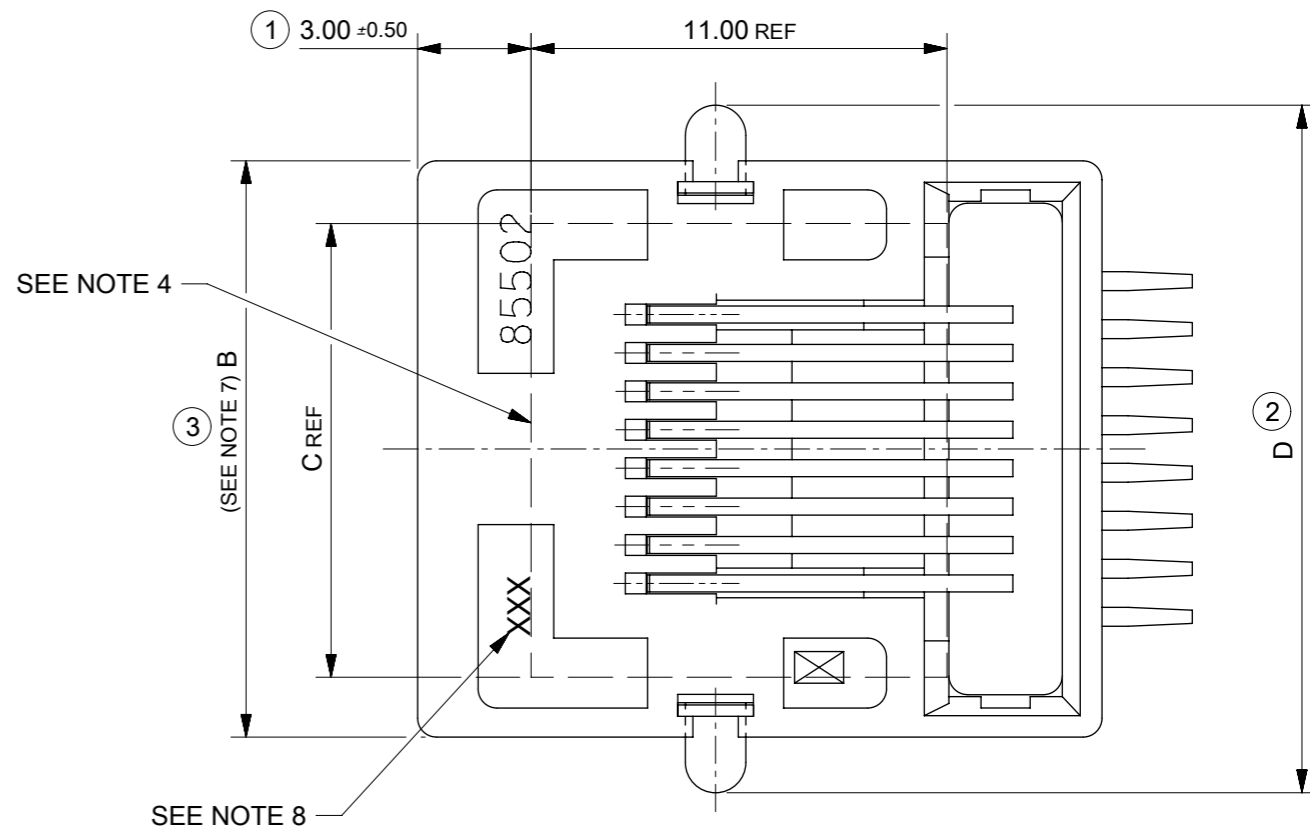


NOTES:

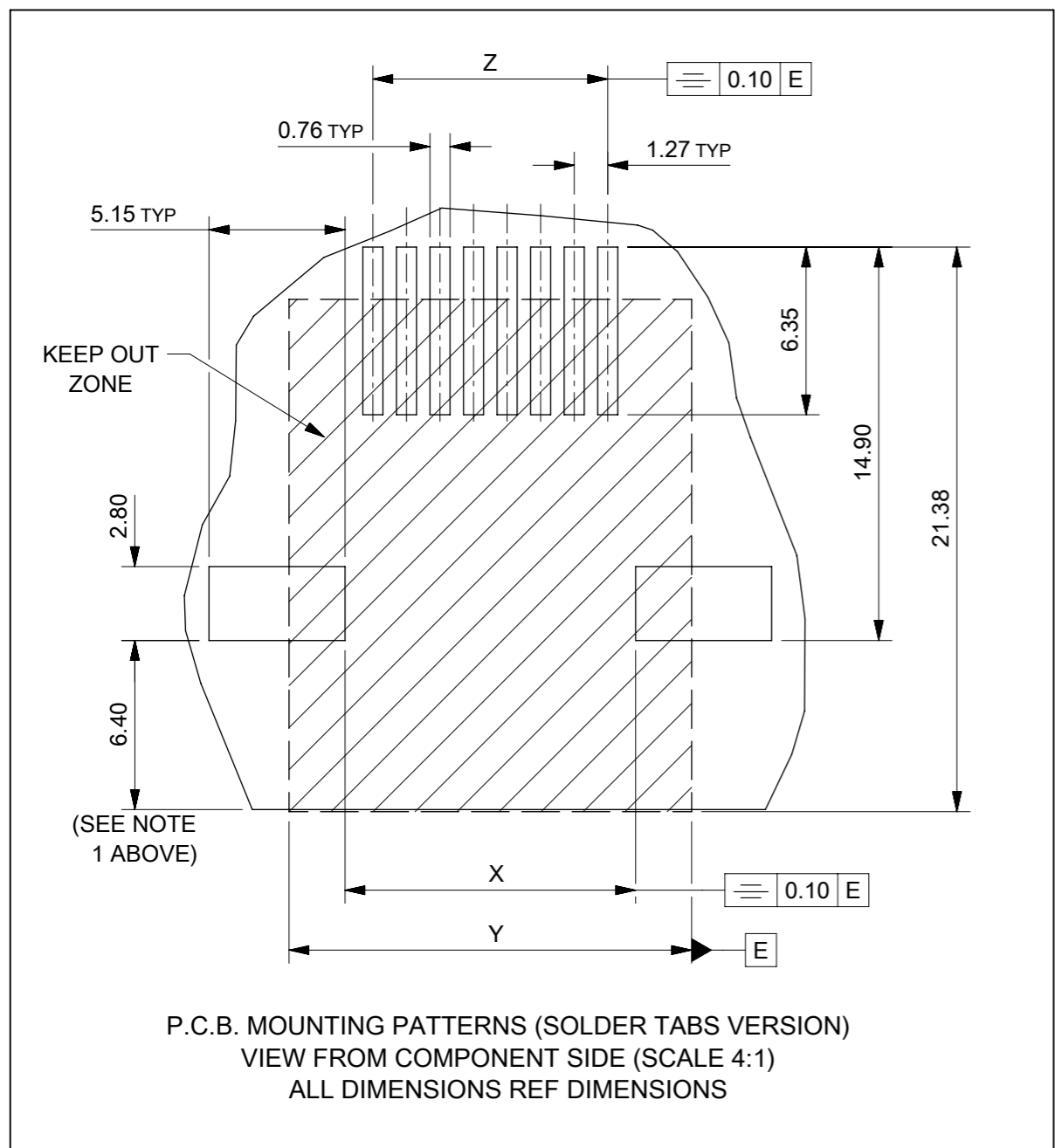
1. **MATERIAL:**
HOUSING: LCP GLASS FILLED UL 94-V0 COLOUR: BLACK

TERMINAL: COPPER ALLOY PLATED WITH:
BASE FINISH: NICKEL
CONTACT SURFACE FINISH:
GOLD
OR
GOLD FLASH OVER PALLADIUM NICKEL.
EXCEEDS PRODUCT REQUIREMENTS BASED ON PS-95501
SOLDER TABS: BRASS PLATED WITH 0.0020 MIN TIN.
 2. JACK FOR MATING WITH IEC 60603-7 AND TIA-1096-A PLUGS (MOLEX 90075 SERIES)
 3. PRODUCT SPECIFICATION: MOLEX PS-95501
 4. POLYIMIDE ADHESIVE TAPE FOR PICK & PLACE SURFACE. THICKNESS: 125µm
 5. PACKAGING SPECIFICATION: MOLEX PK-85502. (BLISTER PACKAGING).
 6. COPLANARITY OF SIGNAL LEADS: 0.10
 7. SEE DIMENSIONS IN CHART ON SHEET 2.
 8. MANUFACTURING I.D. MAY BE EITHER MG, MXF, MXI OR MXCH.
 9. APPLICATION SPECIFICATION: AS-85513-001
- LAST INSPECTION NO.: 12



FUNCTIONAL SYMBOLS	THIS DRAWING CONTAINS INFORMATION THAT IS PROPRIETARY TO MOLEX ELECTRONIC TECHNOLOGIES, LLC AND SHOULD NOT BE USED WITHOUT WRITTEN PERMISSION		
	DIMENSION UNITS	SCALE	CURRENT REV DESC: ADD "MXCH" AS MANUFACTURING I.D. SEE NOTE 8.
$\nabla_A = 0$	mm	1:1	molex R/A LOW PROFILE TRUE SMT 4,6 & 8 CONTACTS PC JACK WITH SIDE SOLDER TABS PRODUCT CUSTOMER DRAWING
$\nabla_F = 0$	GENERAL TOLERANCES (UNLESS SPECIFIED)		
$\nabla_V = 0$	ANGULAR TOL ± 2.0°		
DIVISIONAL SYMBOLS	4 PLACES	±	
	3 PLACES	±	EC NO: 641518 DRWN: CRAODOREMS 2018/02/07 CHK'D: KLANG 2020/08/25 APPR: KLANG 2020/08/25
	2 PLACES	± 0.25	INITIAL REVISION:
	1 PLACE	± 0.35	DRWN: DBYRNES 2006/07/04
	0 PLACES	±	APPR: EOMAHONY 2006/07/07
DRAFT WHERE APPLICABLE MUST REMAIN WITHIN DIMENSIONS		THIRD ANGLE PROJECTION	DRAWING
			SERIES
			MATERIAL NUMBER
		A3-SIZE	CUSTOMER
		85502	SD-85502-101
			DOC TYPE
			PSD
			DOC PART
			001
			REVISION
			E1
			SHEET NUMBER
			1 OF 2

- NOTES:
 1. RECOMMENDED DISTANCE FROM THE PCB'S EDGE
 2. PLATING SEE SHEET 1



PART NUMBERS FOR TRUE SMT JACK WITH SOLDER TABS									
STANDARD VERSION	HOUSING COLOR	POS 4	TOOLED	POS 6	TOOLED	POS 6	TOOLED	POS 8	TOOLED
		4 CKTS		4 CKTS		6 CKTS		8 CKTS	
	BLACK	85502-5005	X	85502-5006	X	85502-5007	X	85502-5008	X

DIM \ TYP	POS 4	POS 6		POS 8
	4 CKTS	4 CKTS	6 CKTS	8 CKTS
A ± 0.15	3.81	3.81	6.35	8.89
B	11.18	13.21	13.21	15.24
C (REF)	8.50	8.50	8.50	12.00
D ± 0.35	14.13	16.16	16.16	18.19
X ± 0.10	6.94	8.97	8.97	11.00
Y (REF)	11.18	13.21	13.21	15.24
Z ± 0.05	3.81	3.81	6.35	8.89

FUNCTIONAL SYMBOLS FA = 0 FB = 0 FC = 0	THIS DRAWING CONTAINS INFORMATION THAT IS PROPRIETARY TO MOLEX ELECTRONIC TECHNOLOGIES, LLC AND SHOULD NOT BE USED WITHOUT WRITTEN PERMISSION	CURRENT REV DESC: ADD "MXCH" AS MANUFACTURING I.D. SEE NOTE 8.			
	DIMENSION UNITS: mm	SCALE: 1:1	EC NO: 641518		
DIVISIONAL SYMBOLS	GENERAL TOLERANCES (UNLESS SPECIFIED)	4 PLACES ±		2020/08/25	R/A LOW PROFILE TRUE SMT 4,6 & 8 CONTACTS PC JACK WITH SIDE SOLDER TABS
	ANGULAR TOL ± 2.0°	3 PLACES ±		2020/08/25	
	2 PLACES ± 0.25	2 PLACES ± 0.25		2020/08/25	PRODUCT CUSTOMER DRAWING
	1 PLACE ± 0.35	1 PLACE ± 0.35		2020/08/25	INITIAL REVISION:
0 PLACES ±	DRWN: DBYRNES	2006/07/04	APPR: EOMAHONY	2006/07/07	DOCUMENT NUMBER: SD-85502-101
DRAFT WHERE APPLICABLE MUST REMAIN WITHIN DIMENSIONS	THIRD ANGLE PROJECTION	DRAWING: A3-SIZE	SERIES: 85502	MATERIAL NUMBER	CUSTOMER: GENERAL MARKET
					DOC TYPE: PSD
					DOC PART: 001
					REVISION: E1
					SHEET NUMBER: 2 OF 2