
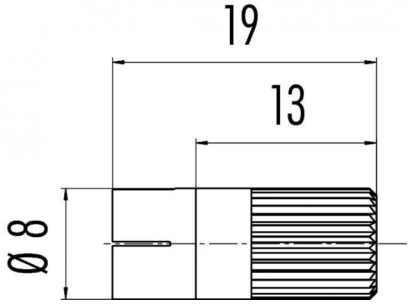
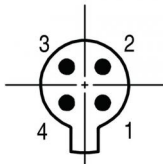


Product sheet

Subminiature connector



Product **Polzahl: 4, Kabelstecker ohne Zugentlastung, max. Kabeldurchlass 3,6 mm**
 Area **Snap-in IP40 Series 719**
 Article number **09 9767 00 04**

| Illustration | Scale drawing | Contact Arrangement | | | | | | | | | | | | | | | |
|---|--|---|--|---|---|---|------|-------|---|------|------|---|-------|------|---|-------|-------|
|  |  |  <table border="1" style="margin-left: 20px;"> <thead> <tr> <th></th> <th>X</th> <th>Y</th> </tr> </thead> <tbody> <tr> <td>1</td> <td>1,06</td> <td>-1,06</td> </tr> <tr> <td>2</td> <td>1,06</td> <td>1,06</td> </tr> <tr> <td>3</td> <td>-1,06</td> <td>1,06</td> </tr> <tr> <td>4</td> <td>-1,06</td> <td>-1,06</td> </tr> </tbody> </table> | | X | Y | 1 | 1,06 | -1,06 | 2 | 1,06 | 1,06 | 3 | -1,06 | 1,06 | 4 | -1,06 | -1,06 |
| | X | Y | | | | | | | | | | | | | | | |
| 1 | 1,06 | -1,06 | | | | | | | | | | | | | | | |
| 2 | 1,06 | 1,06 | | | | | | | | | | | | | | | |
| 3 | -1,06 | 1,06 | | | | | | | | | | | | | | | |
| 4 | -1,06 | -1,06 | | | | | | | | | | | | | | | |

You can find the item description on the next page.

Technical data

Common values

| | |
|--------------------------|----------------------|
| Connector Design | Cable plug connector |
| Connector locking system | Snap |
| Termination | Solder |
| Wire gauge (mm) | 0.25 mm ² |
| Wire gauge (AWG) | 24 |
| Cable outlet | max. 3.6 mm |
| Upper temperature | 70 °C |
| Lower temperature | -25 °C |

Cable data

| | |
|------------------------|---|
| material housing | - |
| Insulation single lead | - |
| Single lead structure | - |
| Conductor resistance | - |

Electrical values

| | |
|-----------------------|---------------------|
| Rated voltage | 60 V |
| Rated impulse voltage | 800 V |
| Pollution degree | 1 |
| Overvoltage category | II |
| Material group | III |
| Rated current (40°C) | 3 A |
| Volume resistivity | ≤ 3 mΩ |
| EMV compliance | not shieldable |
| Degree of protection | IP40 |
| Mechanical operation | > 100 mating cycles |

Material

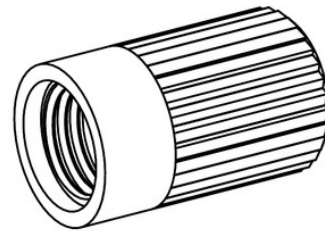
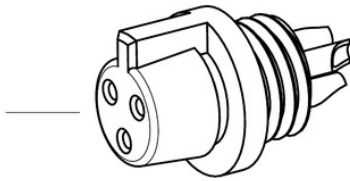
| | |
|--------------------------|--------------|
| Material of contact | CuZn (Brass) |
| Contact plating | Au (Gold) |
| Material of contact body | PA |
| Material of housing | PA |

Product **Polzahl: 4, Kabelstecker ohne Zugentlastung, max. Kabeldurchlass 3,6 mm**

Area **Snap-in IP40 Series 719**
Article number **09 9767 00 04**

Item description

Buchseneinsatz
female insert



Kupplungshülse
sleeve

Steckereinsatz
male insert

