

Product data sheet

Subminiature connectors

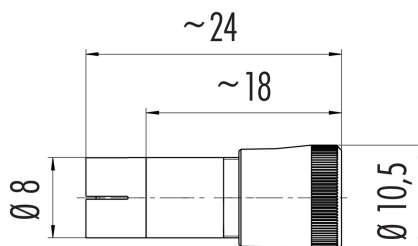


| | |
|---------------------|--|
| Product description | Snap-In IP40 male cable connector, Contacts: 4, 2.5 - 4.0 mm, unshielded, solder, IP40 |
| Area Part no. | Snap-In IP40 series 719 09 9767 70 04 |

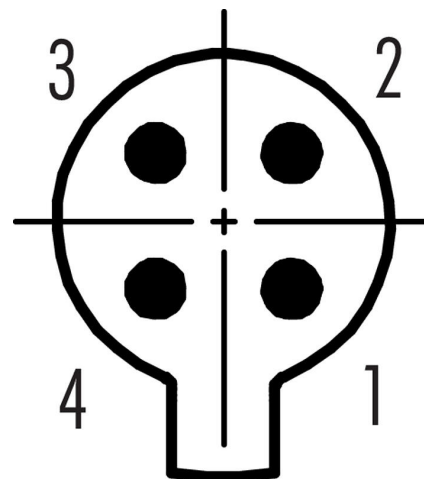
Illustration



Scale drawing



Contact arrangement (Plug-in side)



You can find the component part drawing on the next page.

Technical data

General features

| | |
|---------------------------|-------------------------------|
| Part no. | 09 9767 70 04 |
| Connector design | male cable connector |
| Version | male straight |
| Connector locking system | snap |
| Termination | solder |
| Degree of protection | IP40 |
| Cross-sectional area | 0.25 mm ² / AWG 24 |
| Cable outlet | 2.5 - 4.0 mm |
| Temperature range from/to | -25 °C / 70 °C |
| Mechanical operation | > 100 Mating cycles |
| Weight (g) | 1.28 |
| Customs tariff number | 85369010 |

Electrical parameters

| | |
|-----------------------|----------------------|
| Rated voltage | 60 V |
| Rated impulse voltage | 800 V |
| Rated current (40 °C) | 3,0 A |
| Insulation resistance | ≥ 10 ¹⁰ Ω |
| Pollution degree | 1 |
| Overvoltage category | II |

Product data sheet

Subminiature connectors

Product description Snap-In IP40 male cable connector, Contacts: 4, 2.5 - 4.0 mm, unshielded, solder, IP40

Area Snap-In IP40 series 719
Part no. 09 9767 70 04

Insulating material group III
EMC compliance unshielded

Material

| | |
|-----------------------|--------------------------------------|
| Housing material | PA |
| Contact body material | PA |
| Contact material | CuZn (brass) |
| Contact plating | Au (gold) |
| REACH SVHC | CAS 7439-92-1 (Lead) |
| SCIP number | d2d2077d-be82-45ec-b14f-ddd7989e9e6b |

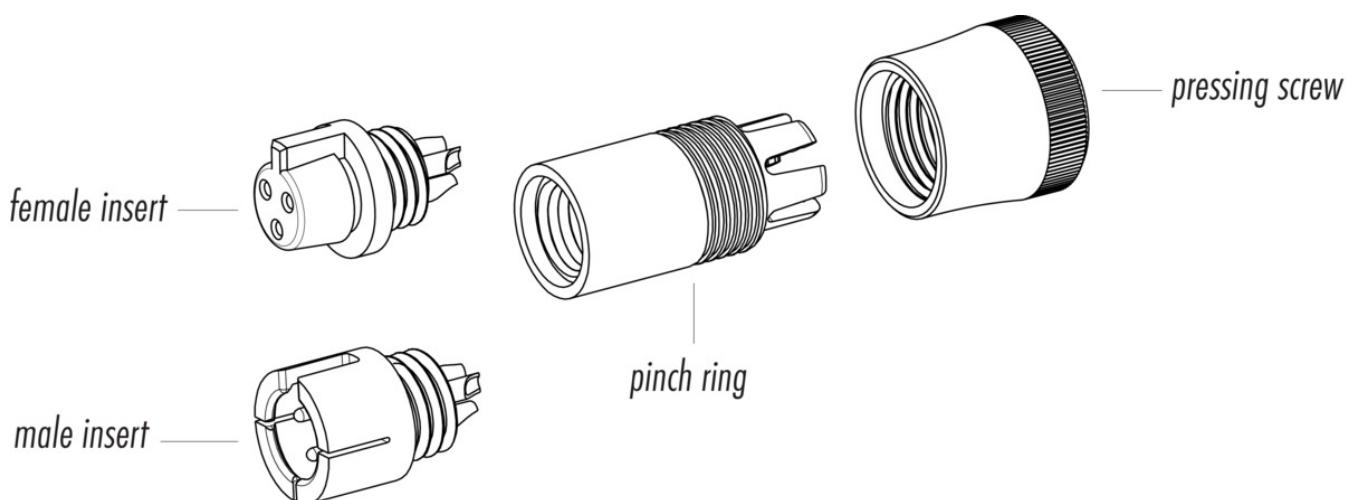
Classifications

| | |
|-------------|-------------|
| eCl@ss 11.1 | 27-44-01-09 |
| ETIM 7.0 | EC003569 |

Declarations of conformity

| | |
|-----------------------|--|
| Low Voltage Directive | 2014/35/EU (EN 60204-1:2018;EN 60529:1991) |
|-----------------------|--|

Component part drawing



Product data sheet

Subminiature connectors



| | |
|---------------------|---|
| Product description | Snap-In IP40 male cable connector, Contacts: 4, 2.5 - 4.0 mm, unshielded, solder, IP40 |
| Area | Snap-In IP40 series 719 |
| Part no. | 09 9767 70 04 |

Security notices

The connectors have been developed for applications in plant engineering, control and electrical equipment construction. The user is responsible for checking whether the connectors can also be used in other areas of application.