

A Crimpwerkzeug für die professionelle Anwendung
Crimping hand tool for professional application

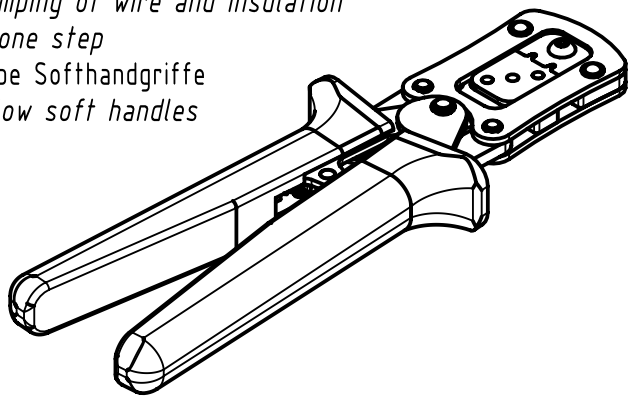
- Leichte Handhabung
Easy handling
- Kleine Bauform
Small size
- Linearer Hub
Straight action principle
- Entriegelbare Zwangssperre
Ratchet release

· Kontaktpositionierung mit Klapppositionierer
Contact positioning with flap locator

- Präzise geschliffene Profile
Precisely ground profiles
- Anwendungsbereich: D-Sub high density Einzelkontakte
Application range: single D-Sub high density contacts

· Crimpen von Leiter und Isolation in einem Arbeitsgang
Crimping of wire and insulation in one step

· Gelbe Softhandgriffe
Yellow soft handles



| | | | | | | |
|---|--|---|------------------------------|---------------------------|--|---------------|
| | All Dimensions in mm Original Size DIN A4 | | Scale 1:1 | Free size tol. | | Ref. |
| | | | Created by WAERMKER | Inspected by HAERTLING | Standardisation KÖHLER | Sub. |
| All rights reserved Department EL PD | | Title D SUB HD SERVICE CRIMP TOOL | | Date 2018-04-24 | State Final Release | |
| HARTING Electronics GmbH D-32339 Espelkamp | | Type TB | Number 09990000596 | | Doc-Key / ECM-Nr. 100207205/UGD/001/B 500000134405 | Rev. B |
| | | | | | | Page 1/1 |