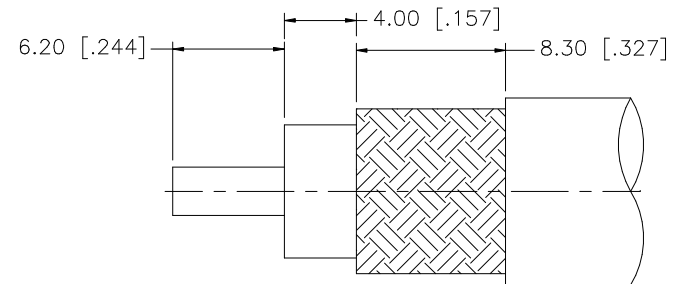
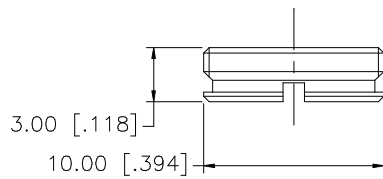
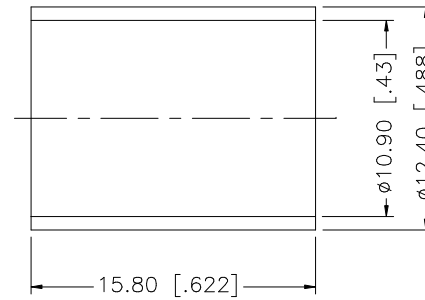
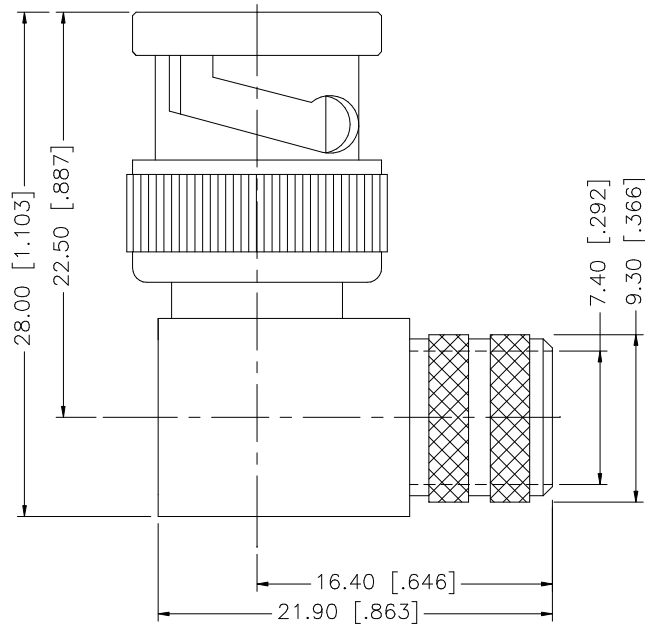


REV.	DATE	DESCRIPTION
NC	06/15/98	INITIAL RELEASE
A	07/20/05	UPDATE DRAWING FORMAT



RECOMMENDED
CABLE STRIPPING DIM'S

8					<small>UNLESS OTHERWISE SPECIFIED DIMENSIONS ARE IN MILLIMETERS. DIMENSIONS IN [] ARE IN INCHES AND FOR CUSTOMER REFERENCE ONLY.</small> <small>UNLESS OTHERWISE SPECIFIED TOLERANCES FOR MILLIMETERS ARE:</small> 0.5 - 8mm ± 0.20mm 8 - 30mm ± 0.40mm 30 - 120mm ± 0.50mm <small>UNLESS OTHERWISE SPECIFIED TOLERANCES FOR INCHES ARE:</small> .020 - .315 = ± 0.007" .315 - 1.180 = ± 0.015" 1.180 - 4.724 = ± 0.020"	APPROVALS	DATE	<h1 style="color: blue; margin: 0;">Amphenol Connex</h1>							
7				DRAWN		G.R.S.	07/20/05								
6				CHECKED				PART DESCRIPTION BNC R/A CRIMP PLUG (FOR BELDEN 9913, 9914, LMR400 CABLE)							
5	COVER	BRASS	NICKEL	1		ISSUED									
4	FERRULE	BRASS	NICKEL	1	SHEET	1 OF 1		PART NO. 112596							
3	CONTACT PIN	BRASS	GOLD	1	CAD FILE	C:/112/112596.DWG					DWG. NO.	112596.DWG	REV.	A	SIZE
2	INSULATOR	TEFLON	NATURAL	1											
1	BODY	BRASS	NICKEL	1											
	DESCRIPTION	MATERIAL	FINISH	QTY	DO NOT SCALE DRAWING										

Mouser Electronics

Authorized Distributor

Click to View Pricing, Inventory, Delivery & Lifecycle Information:

[Amphenol:](#)

[112596](#)