

1204KL (30[□] x 10^L)



EMINEBEA.COM

General Specifications

Motor Protection:

Auto Restart/Polarity Protection

Insulation Resistance: 10M Ω or over with a DC500V Megger

Dielectric Withstand Voltage: AC 700V 1s

Allowable Ambient Temperature Range:

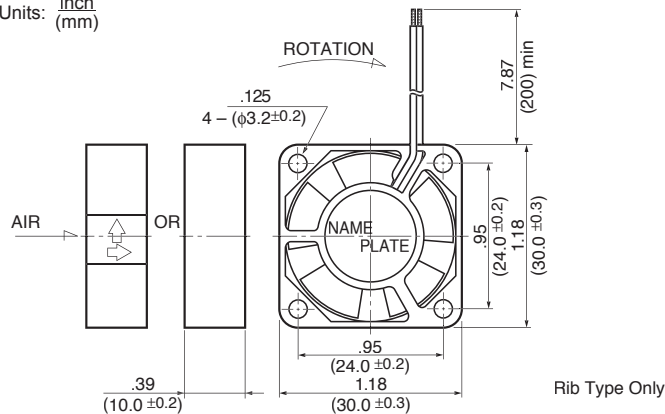
-10°C ~ +70°C (Operating)

-40°C ~ +70°C (Storage)

(non-condensing environment)

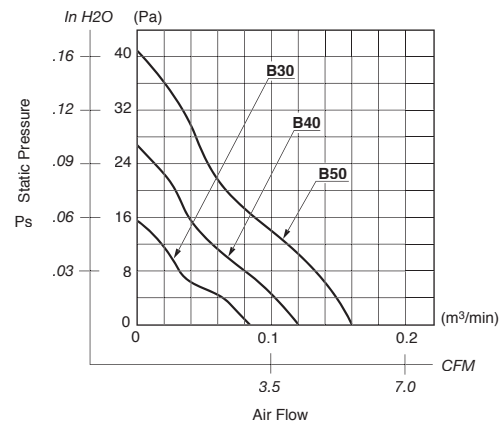
Outline

Units: $\frac{\text{inch}}{\text{mm}}$

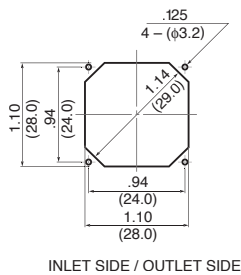


Rib Type Only

Characteristic Curves



Panel Cut-outs



INLET SIDE / OUTLET SIDE

Material

- Casing : Plastic (Black) 94V-0
- Impeller : Plastic (Black) 94V-0
- Bearing : Ball Bearing
- Lead Wire: UL1061, AWG26, +Red, -Black

Specifications

MODEL	Product No.	Rated Voltage	Operating Voltage	Current	Input Power	Speed	Max. Air Flow		Max. Static Pressure		Noise	Mass
		(V)	(V)	(A) ^{*1}	(W) ^{*1}	(min ⁻¹) ^{*1}	CFM ^{*1}	(m ³ /min) ^{*1}	in H ₂ O	(Pa) ^{*1}	(dB) ^{*1}	(g)
1204KL-01W-B30-	X00	5	4.5 ~ 5.5	0.10	0.50	7500	2.7	0.078	.116	29.0	21.0	8.5
1204KL-01W-B40-	X00	5	4.5 ~ 5.5	0.14	0.70	9000	3.2	0.091	.148	37.0	23.0	8.5
1204KL-01W-B50-	X00	5	4.5 ~ 5.5	0.18	0.90	10500	3.8	0.110	.216	54.0	27.0	8.5
1204KL-04W-B30-	X00	12	6 ~ 13.8	0.06	0.72	7500	2.7	0.078	.116	29.0	21.0	8.5
1204KL-04W-B40-	X00	12	6 ~ 13.8	0.07	0.84	9000	3.2	0.091	.148	37.0	23.0	8.5
1204KL-04W-B50-	X00	12	6 ~ 13.8	0.08	0.96	10500	3.8	0.110	.216	54.0	27.0	8.5

Rotation: Clockwise

Airflow Outlet: Air Out Over Struts

*1: Average Values in Free Air