

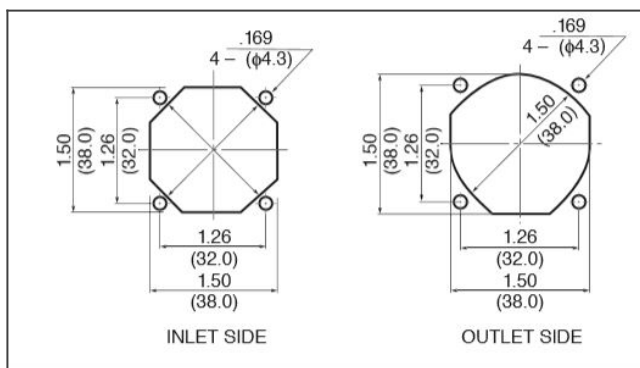
General Specifications

Motor Protection: Auto Restart/Polarity Protection
 Insulation Resistance: 10M Ohm or over with a DC500V Megger
 Dielectric Withstand Voltage: AC 700V 1st
 Allowable Ambient Temperature Range:
 -10 degree C ~ +70 degree C (Operating)
 -40 degree C ~ +70 degree C (Storage)
 (non-condensing environment)

order part 1606KL-01W-B39-L00 Ball Bearing Fan DC Fans



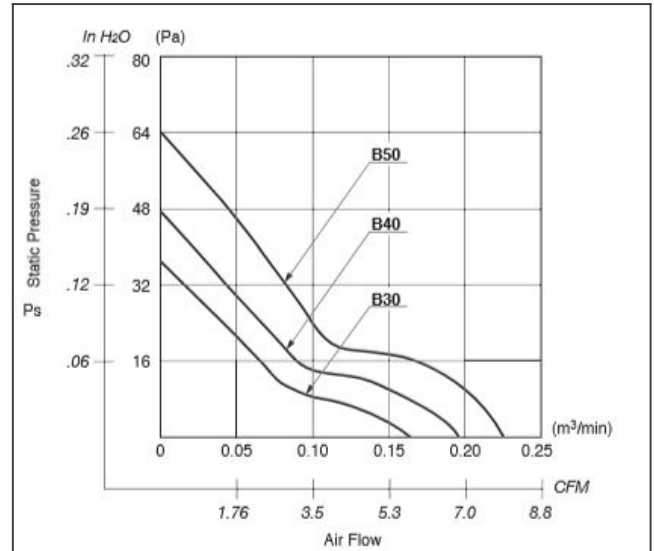
1606KL panel cut out



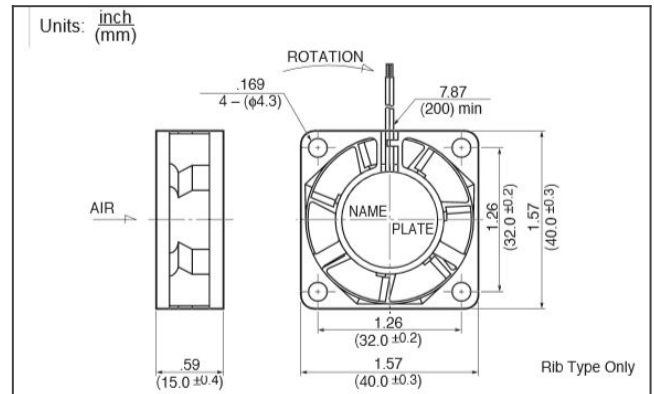
Material

Casing: Plastic (Black) UL94V-0
 Impeller: Plastic (Black) UL94V-0
 Lead Wire: UL1061, AWG26, +Red, -Black

1606KL characteristic curve



1606KL product drawing



Detailed Specifications

DC Fans

Expected Life:	25 degree C 60,000 Hours (L10)
DC Fan:	Ball Bearing Fan
Nominal Voltage:	5[V]
Operating Voltage Lower:	4.5[V]
Operating Voltage Upper:	5.5[V]
Current:	0.12[A]
Input Power:	0.6[W]
Speed:	6000[min^{-1}]
Max. Air Flow:	0.17[m^3/min]
Max. Air Flow:	6[CFM]
Max. Static Pressure:	36.3[Pa]
Max. Static Pressure:	0.145[In H ₂ O]
Noise:	28[dB]
Mass:	20[g]
Fan Size:	40[mm]
Fan Width:	15[mm]
Life Expectancy L10:	25 degree C 60,000 Hours (L10)
Series:	1606KL