



Fuse-link, high speed, 63 A, AC 690 V, 200 kA, DIN 000, 21 x 40 x 100 mm, gR, DIN, IEC, single indicator



Referencia **FUSE 63A 690V 000/80 GR UC**
 Catalog No. **170M1365**

Delivery program

Product range			Fuse
Basic function			Fuse-link
Field of application			high speed
Rated current	I	A	63
Rated voltage			AC 690 V
Construction size			DIN 000
Size			21 x 40 x 100 mm
Utilization category			gR
Status indicator			single indicator
Breaking Capacity		kA	200
usable for size/applications			semiconductor protection
Standard/Approval			DIN IEC
Shape			square body with offset bolted tags (slotted)
Standards/Regulations			DIN 43653 IEC 60269-4

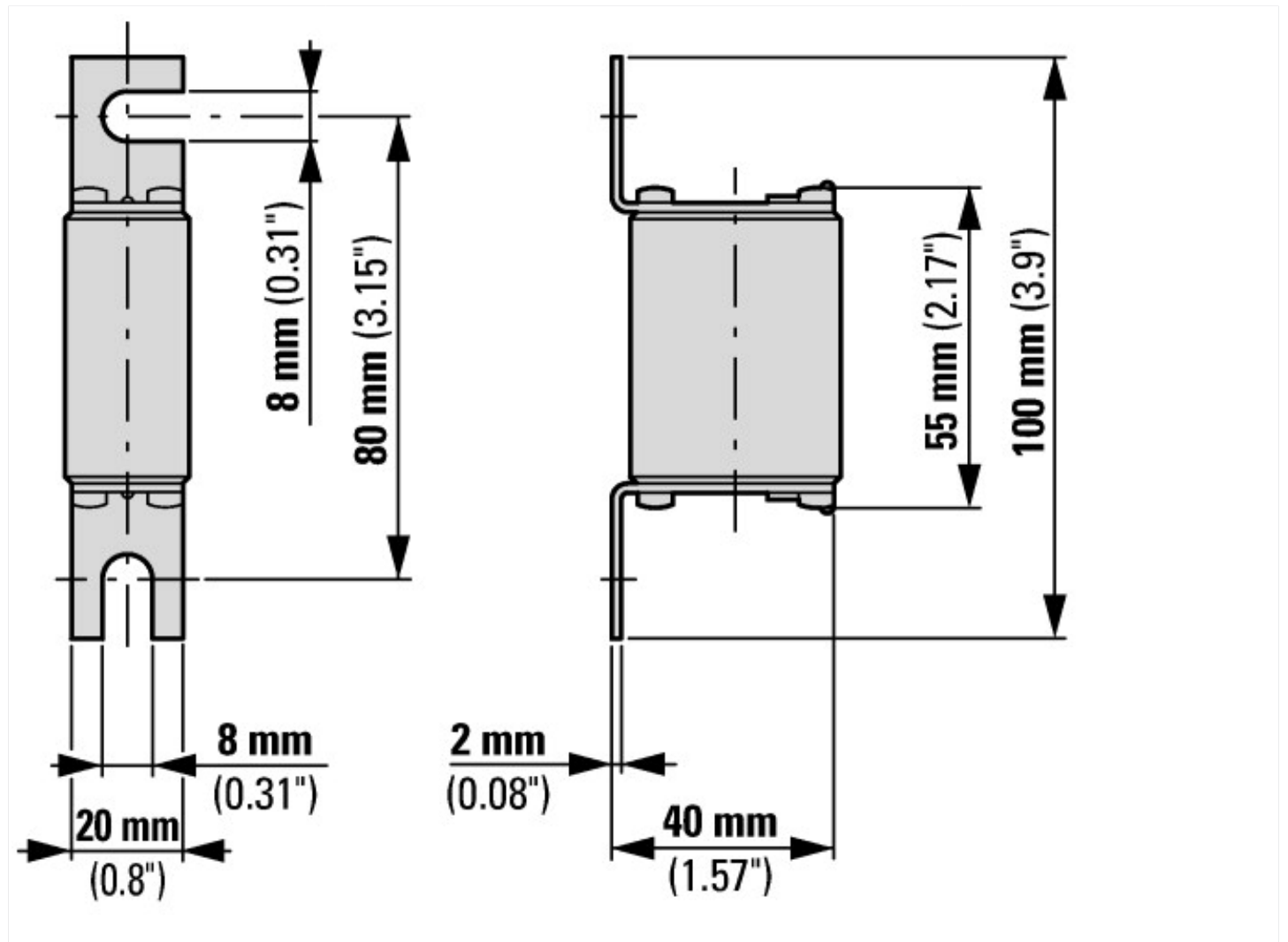
Technical data ETIM 7.0

Tipo de corriente			EV000460
Tensión nominal CA			690
Corriente nominal			63
Categoría de uso			EV005308
Capacidad de desconexión			200
Código de color			EV000494
Tipo de indicador de estado de fusible			EV007782

Approvals

Product Standards			IEC/EN 60269-4; UL 248-1; CSA-C22.2 No. 248.14; CE marking
UL File No.			E125085
UL Category Control No.			JFHR2
CSA File No.			053787_C_000
CSA Class No.			1422-30
North America Certification			UL recognized, CSA certified
Suitable for			semiconductor protection

Dimensions



Additional product information (links)

Product datasheet (pdf)

http://www.cooperindustries.com/content/dam/public/bussmann/Electrical/Resources/product-datasheets-b/Bus_Ele_DS_720013_170M.pdf