



Fuse-link, high speed, 80 A, AC 690 V, 200 kA, DIN 000, 21 x 40 x 100 mm, aR, DIN, IEC, single indicator



Referencia FUZE 80A 690V 000/80 AR UC
Catalog No. 170M1366

Delivery program

Product range			Fuse
Basic function			Fuse-link
Field of application			high speed
Rated current	I	A	80
Rated voltage			AC 690 V
Construction size			DIN 000
Size			21 x 40 x 100 mm
Utilization category			aR
Status indicator			single indicator
Breaking Capacity		kA	200
usable for size/applications			semiconductor protection
Standard/Approval			DIN IEC
Shape			square body with offset bolted tags (slotted)
Standards/Regulations			DIN 43653 IEC 60269-4

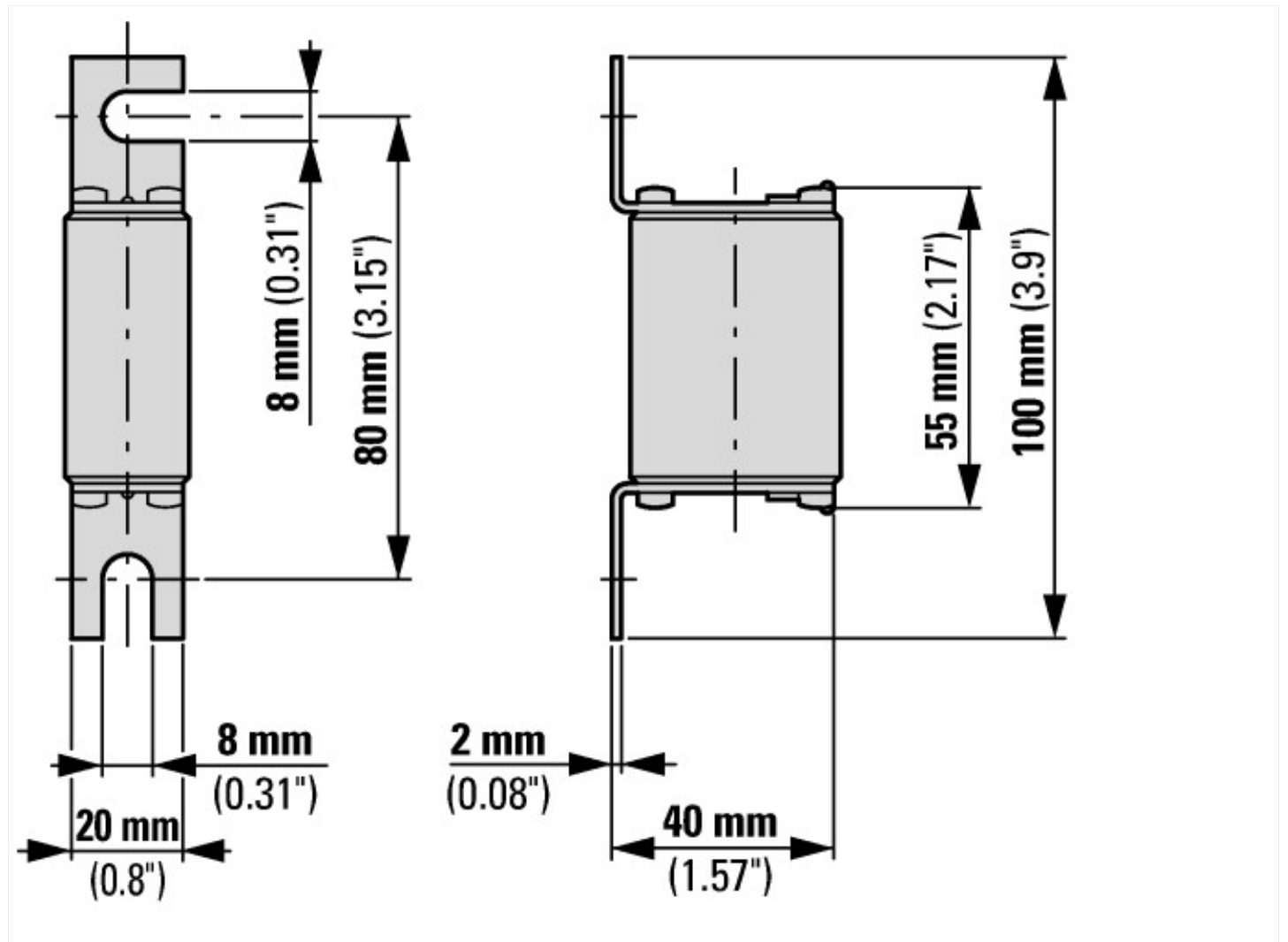
Technical data ETIM 6.0

Circuit breakers and fuses (EG000020) / Low Voltage HRC fuse (EC000055)			
Electric engineering, automation, process control engineering / Electrical installation, device / Safety fuse inserts / Low-Voltage HRC fuse (ecl@ss8.1-27-14-20-05 [AFZ800012])			
Construction size			Other
Nominal rated current		A	80
Nominal rated voltage		V	690
Utilization category			aR (accompanied semiconductor protection)
Type of fuse status indicator			Top fuse status indicator

Approvals

Product Standards			IEC/EN 60269-4; UL 248-1; CSA-C22.2 No. 248.14; CE marking
UL File No.			E125085
UL Category Control No.			JFHR2
CSA File No.			053787_C_000
CSA Class No.			1422-30
North America Certification			UL recognized, CSA certified
Suitable for			semiconductor protection

Dimensions



Additional product information (links)

Product datasheet (pdf)

http://www.cooperindustries.com/content/dam/public/bussmann/Electrical/Resources/product-datasheets-b/Bus_Ele_DS_720013_170M.pdf