

**Surge Protector 7-16 male/female
for Gas Discharge Arrestor ¹⁾**

Connectors:

Port 1 7-16 plug (50Ω)
Port 2 7-16 socket bulkhead (50Ω)

Frequency range: 0 to 1000 MHz / >1000 to 2500 MHz

VSWR ²⁾: ≤ 1.06 / ≤ 1.20

Applicable arrestors: static sparkover voltage
90 / 230 / 600 / 1000 V
others on request

Insertion loss: ≤ 0.1 dB

Materials and surfaces:

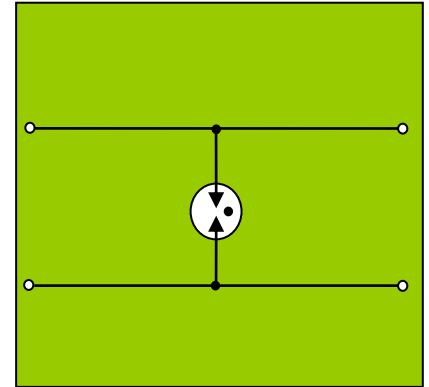
Inner conductor brass / silver plated
Outer conductor brass / silver plated
Other metal parts brass / bright nickel plated
Insulation PTFE
Sealing silicone rubber

Degree of protection: IP 67 (in mated condition)

Operating temperature: -40°C to +85 °C

Weight: approx. 270 g

Standards: CECC 22190; IEC 60169-4



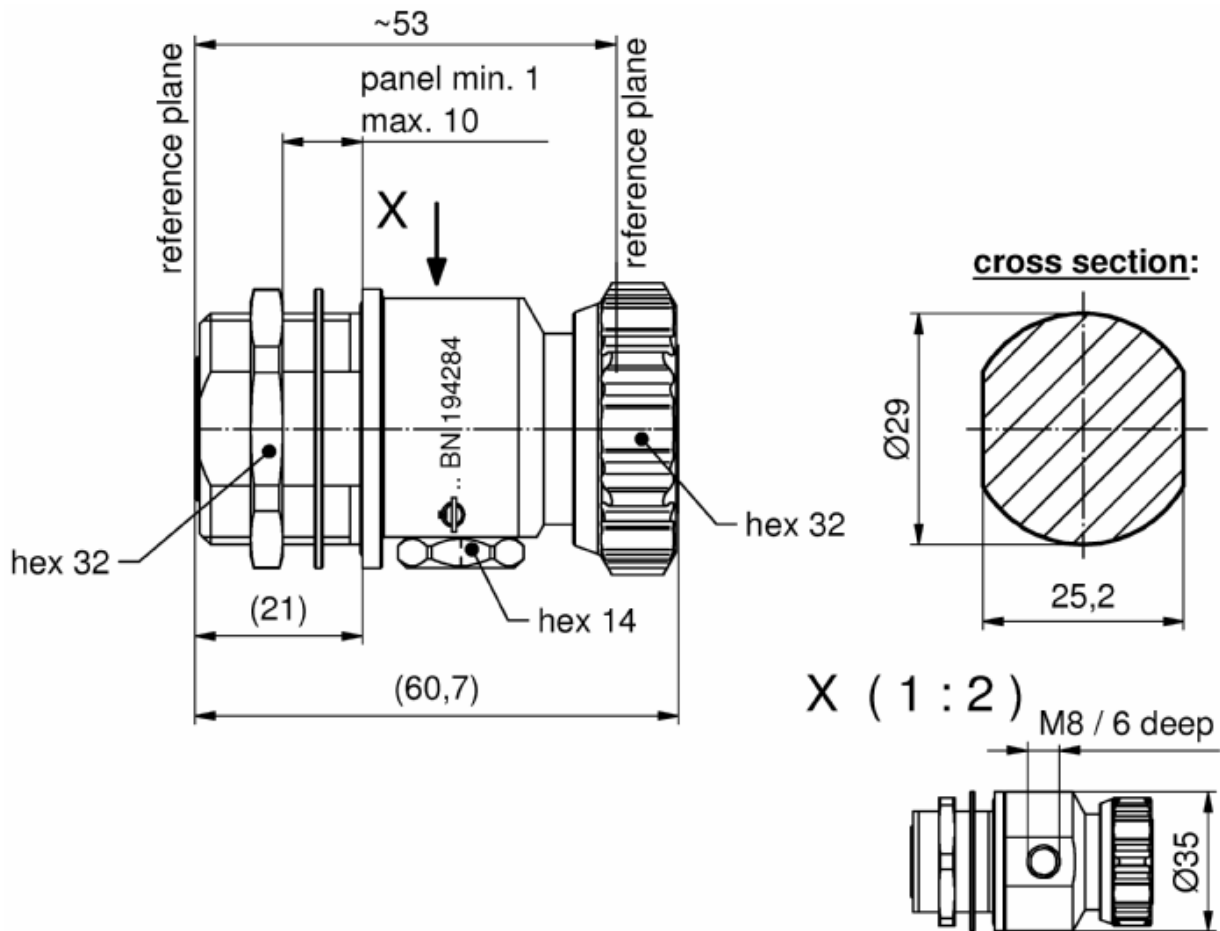
Block diagram
with arrestor
inserted

1) Delivered without arrestor
2) Valid only with inserted arrestors indicated by SPINNER

Appendix:

Dimensions

Dimensions:



(dimensions in mm)

modifications reserved