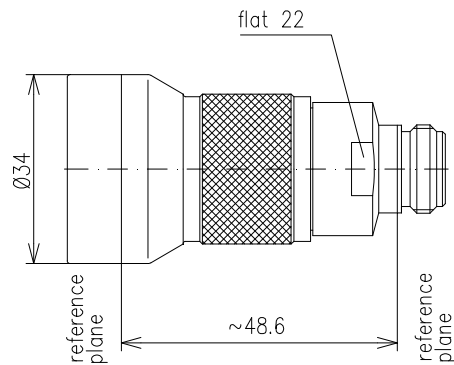


Adapter Push-Pull non-locking plug-socket || BN 194472



all dimensions in millimeter

**Radio frequency characteristics**

Interface type	7-16 plug per IEC 61169-4 / N socket per IEC 61169-16
Frequency range	DC to 7.5 GHz
Impedance	50 Ω
Return loss, min.	40 dB @ DC to 2 GHz
	30 dB @ 2 to 7.5 GHz

**Mechanical characteristics**

Center conductor material / surface finish	CuBe age hardened / gold-plated copper alloy / gold-plated
Outer conductor material / surface finish	copper alloy / gold-plated
Insulation	cross linked polystyrene, PTFE
Other metallic parts / surface finish	CuBe age hardened / silver-plated copper alloy / nickel-plated stainless steel
Weight, approx.	0.21 kg

**Environmental conditions**

<b>Operation</b>	
Ambient temperature range	+5 to +40°C
<b>Storage</b>	
Ambient temperature range	-40 to +70°C

SPINNER GmbH  
 This document is proprietary to us.  
 All rights reserved. Any use, transfer, or reproduction of this document  
 or the know-how contained therein requires our express consent.