

# 3615KL (92<sup>□</sup> x 38<sup>L</sup>)



EMINEBEA.COM

## General Specifications

### Motor Protection:

Auto Restart/Polarity Protection

**Insulation Resistance:** 10M Ω or over with a DC500V Megger

**Dielectric Withstand Voltage:** AC 700V 1s

### Allowable Ambient Temperature Range:

B50 Class: -10°C ~ +60°C (Operating)

B30~B40 Class: -10°C ~ +70°C (Operating)

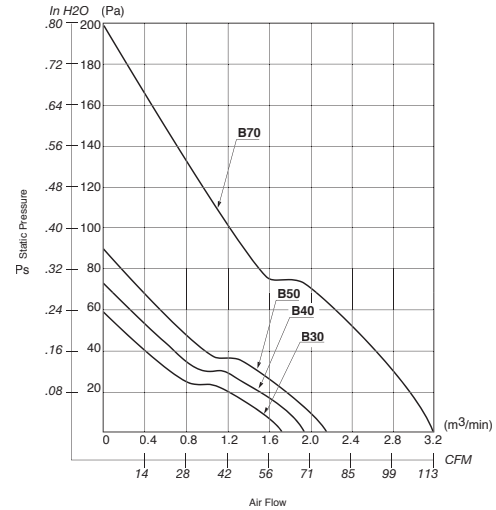
All Class: -40°C ~ +70°C (Storage)  
(non-condensing environment)

## Expected Life

**Failure Rate: 10%**

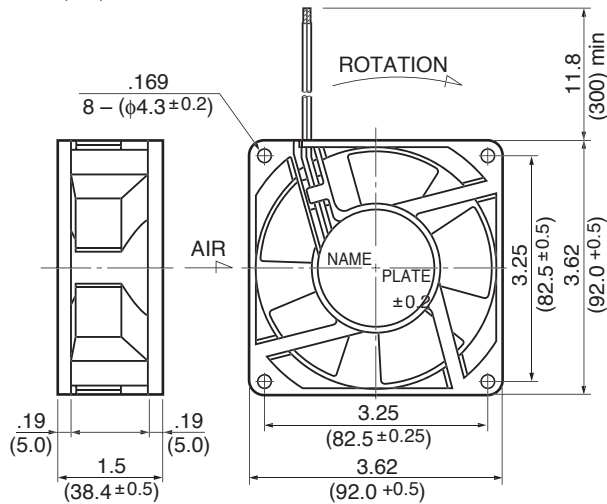
25°C 100,000 Hours (P00)

## Characteristic Curves

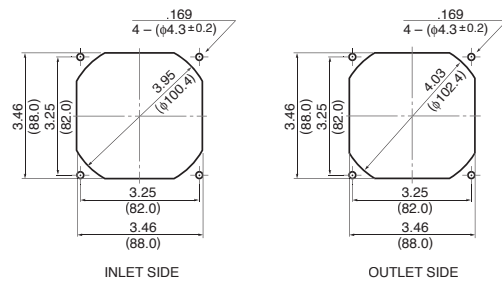


## Outline

Units:  $\frac{\text{inch}}{\text{mm}}$



## Panel Cut-outs



## Material

Casing : Plastic (Black) 94V-0

Impeller : Plastic (Black) 94V-0

Bearing : Ball Bearing

Lead Wire : UL1061, AWG26, +Red, -Black

## Specifications

MODEL	Product No.	Rated Voltage	Operating Voltage	Current	Input Power	Speed	Max. Air Flow		Max. Static Pressure		Noise	Mass
		(V)	(V)	(A) <sup>*1</sup>	(W) <sup>*1</sup>	(min <sup>-1</sup> ) <sup>*1</sup>	CFM <sup>*1</sup>	(m <sup>3</sup> /min) <sup>*1</sup>	in H <sub>2</sub> O	(Pa) <sup>*1</sup>	(dB) <sup>*1</sup>	(g)
3615KL-04W-B30-	P00	12	7.0 ~ 13.2	0.25	3.00	3200	60.3	1.71	.23	57.9	40.5	210
3615KL-04W-B40-	P00	12	7.0 ~ 13.2	0.34	4.08	3600	68.5	1.94	.29	72.0	44.0	210
3615KL-04W-B50-	P00	12	7.0 ~ 12.6	0.46	5.52	4000	76.2	2.16	.36	89.2	46.5	210
3615KL-05W-B30-	P00	24	12.0 ~ 26.4	0.15	3.60	3200	60.3	1.71	.23	57.9	40.5	210
3615KL-05W-B40-	P00	24	12.0 ~ 26.4	0.20	4.80	3600	68.5	1.94	.29	72.0	44.0	210
3615KL-05W-B50-	P00	24	12.0 ~ 25.2	0.24	5.76	4000	76.2	2.16	.36	89.2	46.5	210
3615KL-07W-B70-	P00	48	30.0 ~ 50.2	0.36	17.3	5800	110.0	3.10	.71	178.0	55.0	210

Rotation: Clockwise

Airflow Outlet: Air Out Over Struts

\*1: Average Values in Free Air

# Mouser Electronics

Authorized Distributor

Click to View Pricing, Inventory, Delivery & Lifecycle Information:

## [NMB Technologies:](#)

[3615KL-04W-B59-P50](#) [3615KL-05W-B30-P00](#) [3615KL-04W-B40-P00](#) [3615KL-04W-B59-P00](#) [3615KL-05W-B50-P00](#)  
[3615KL-05W-B59-P50](#) [3615KL-04W-B39-P50](#) [3615KL-05W-B59-P00](#) [3615KL-04W-B30-P00](#) [3615KL-04W-B49-P50](#)  
[3615KL-04W-B50-P00](#) [09238KA-24N-EA-00](#) [09238KA-12M-EA-00](#) [09238KA-12N-EA-00](#) [09238KA-12N-EL-00](#)  
[09238KA-12N-ET-00](#) [09238KA-12M-ET-00](#) [09238KA-12L-EA-00](#) [09238KA-24N-EL-00](#) [09238KA-24N-ET-00](#)  
[09238KA-12L-ET-00](#) [09238KA-24L-EA-00](#)