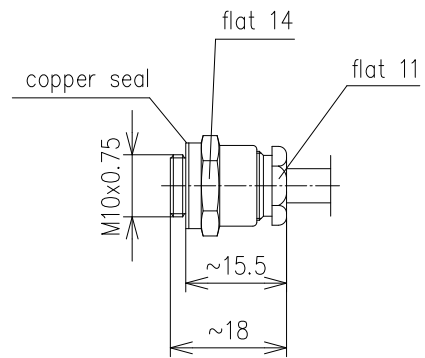


CABLE CLAMP



Part number	BN 41 94 00			
Version	clamped			
Material and surface				
Contact parts	copper alloy	silver-plated		
Other metal parts	copper alloy	bright nickel-plated		
Sealing	silicone rubber copper	silver-plated		
Degree of protection	IP68 (mated)			
Cable compatibility	RG 55 B/U, RG 58 C/U, RG142 B/U, RG 223/U, RG 400/U			
Installation instructions	M30607			
Weight	approx. 0.015 kg			
Included in delivery	installation instructions			
Delivery status	sealing, soldering sleeve attached separately			
Connector head compatibility				
Part number	BN 45 09 40	BN 45 09 60	BN 45 09 63	BN 45 09 95
Type	N plug	4,1-9,5 plug	4,1-9,5 socket	7-16 plug