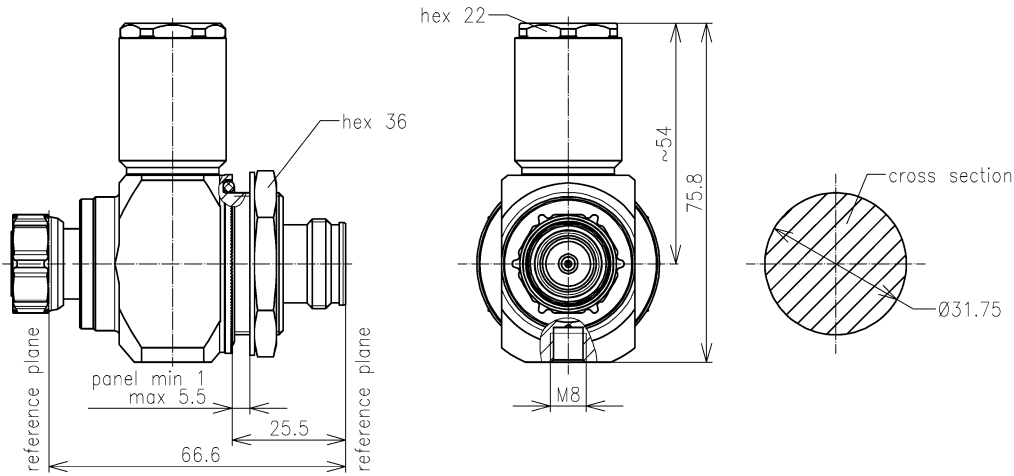


Surge Protector with Quarter Wavelength Line || BN 432900



all dimensions in millimeter

**Radio frequency characteristics**

Interface type	4.3-10 plug screw (50Ω) per IEC 61169-54 4.3-10 socket (50Ω) per IEC 61169-54
Version	bulkhead mounting (potential equalisation)
VSWR, max.	1.20 @ 694 to 725 MHz 1.15 @ 725 to 2675 MHz 1.20 @ 2675 to 2700 MHz
Frequency range	694 to 2700 MHz
Insertion loss, max.	0.1 dB
Intermodulation (IM3) @ 2x 20W, max.	-160 dBc
Average power capability	850 W @ 694 MHz 430 W @ 2700 MHz
Static sparkover voltage	90 V ± 20 V
Allowed surge current	30 kA single 20 kA multiple (test pulse 8/20 μs)
Residual pulse energy, max.	350 μJ (test pulse 4 kV 1.2/50 μs and 2 kA 8/20 μs)

**ASIG**

VSWR, max.	1.11 @ DC to 10 MHz
Frequency range	DC to 10 MHz
Insertion loss, max.	0.15 dB

**DC pass**

DC voltage, max.	60 V
DC current, max.	10 A

## Surge Protector with Quarter Wavelength Line || BN 432900

**Mechanical characteristics**

Inner conductor material / surface finish	copper alloy / silver plated
Outer conductor material / surface finish	copper alloy / silver plated copper alloy / CuSnZn plated
Other metal parts / surface finish	copper alloy / nickel plated copper alloy / CuSnZn plated stainless steel / untreated
Insulation	PTFE
Sealing	silicone rubber
IP protection level	IP67 per EN 60529 (interface connected with appropriate gasket)
Weight, approx.	355 g

**Environmental conditions**

Operating temperature range	-40 to +85 °C
<b>Scope of delivery</b>	panel sealing, installation and grounding instructions