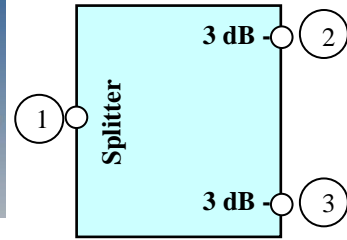
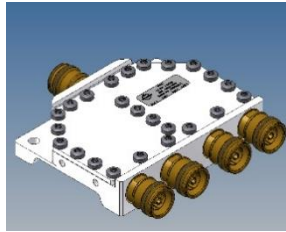
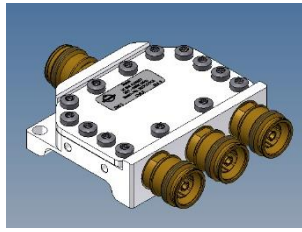
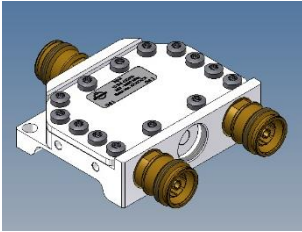


Symmetrics Splitters 380-3800MHz



BN 433006

BN 433007

BN 433008

Block diagram use 433006 as sample

Electrical characteristics

Part number	BN 433006	BN 433007	BN 433008
Splitting ratio	1: 0.5: 0.5	1: 0.33: 0.33: 0.33	1: 0.25: 0.25: 0.25: 0.25
Frequency range:	380 – 3800 MHz		
Insertion loss:	3.2 dB ± 0.2 dB (including splitting losses) @ 380 – 2700 MHz 3.3 dB ± 0.3 dB (including splitting losses) @ 2700 – 3800 MHz	5.2 dB ± 0.4 dB (including splitting losses) @ 380 – 2700 MHz 5.3 dB ± 0.4 dB (including splitting losses) @ 2700 – 3800 MHz	6.2 dB ± 0.4 dB (including splitting losses) @ 380 – 2700 MHz 6.3 dB ± 0.4 dB (including splitting losses) @ 2700 – 3800 MHz
VSWR	≤ 1.3 (Port 1) @ 380 – 2700 MHz ≤ 1.4 (Port 1) @ 2700 – 3800 MHz	≤ 1.4 (Port 1) @ 380 – 3800 MHz	≤ 1.3 (Port 1) @ 380 – 2700 MHz ≤ 1.4 (Port 1) @ 2700 – 3800 MHz
Power Rating:	≤ 200 W @ 380 – 3800 MHz		
DC-by-pass	DC all ports (max. 1A per input max. 60V DC (AISG Standard, 2.0, § 6.4))		
Passive intermodulation (IM3), 3rd order @ 2 x 20W	-160 dBc max. / -165 dBc typ.		
Impedance	50 Ohm		

Mechanical characteristics

Connectors	4.3-10 female		
Dimensions, approx.	82 x 105 x 24 mm (Width x Height x Depth)	82 x 105 x 24 mm (Width x Height x Depth)	114 x 125 x 24 mm (Width x Height x Depth)
Weight, approx.	0.3 kg	0.3 kg	0.5 kg
Color	light grey polyurea (RAL 7047)		
Wall / Mast mounting	to be ordered separately under BN B23656	to be ordered separately under BN B23656	to be ordered separately under BN B23657

Environmental conditions

Class. of environmental conditions	ETSI EN 300019-1-1 Class 1.2 ETSI EN 300019-1-2 Class 2.3 ETSI EN 300019-1-3 Class 4.1E
Degree of protection	IP 65
Operation Ambient temperature range	-25 °C to +55 °C
Storage Ambient temperature range	-40 °C to +85 °C
Relative humidity, max.	95% (non-condensing)

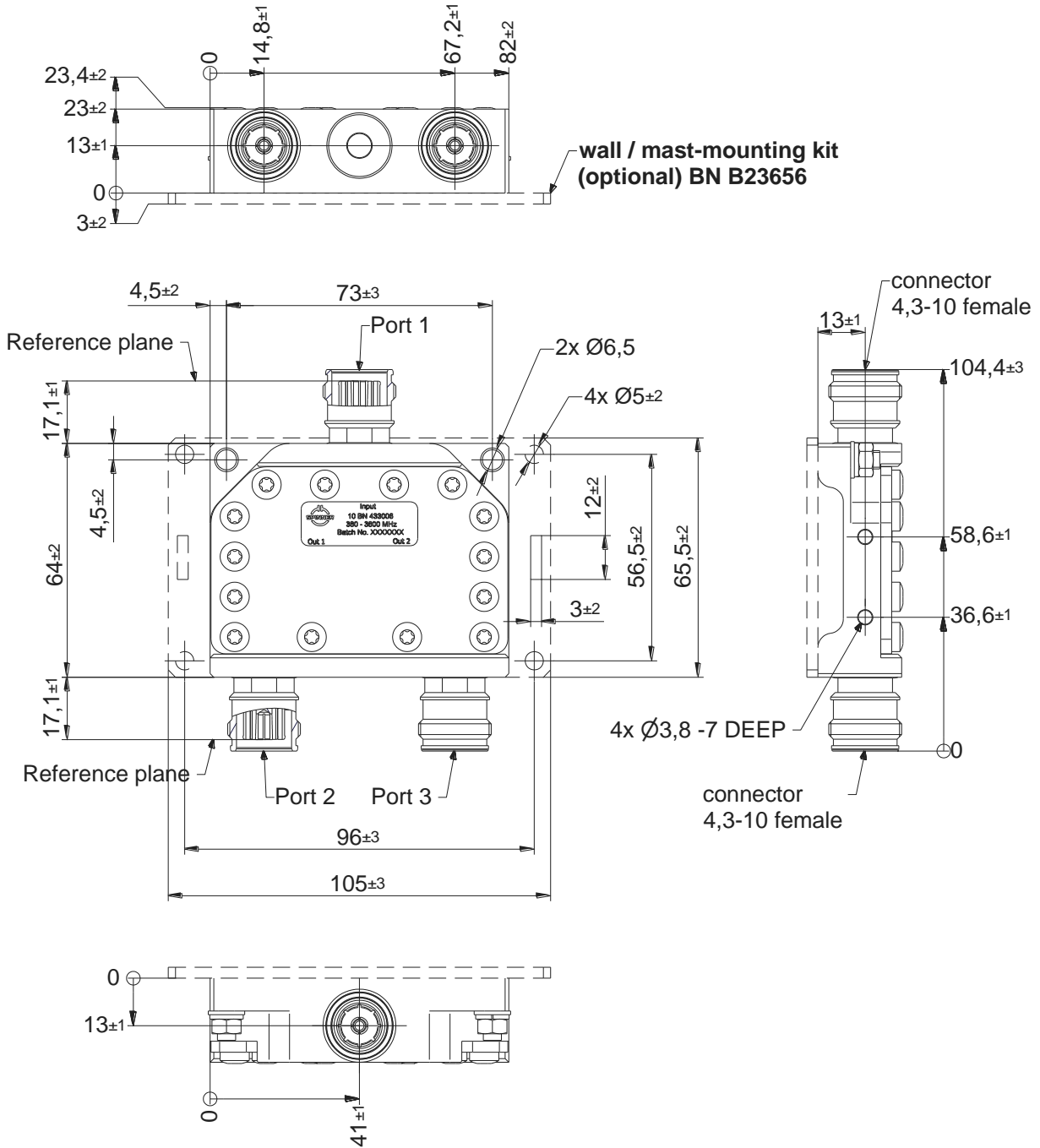
SPINNER GmbH
 This document is proprietary to us.
 All rights reserved. Any use, transfer, or reproduction of this document
 or the know-how contained therein requires our express consent.

Template TD-00002Y

Symmetrics Splitters 380-3800MHz

Outline (all dimensions in millimeter)

BN 433006



SPINNER GmbH
This document is proprietary to us.
All rights reserved. Any use, transfer, or reproduction of this document
or the know-how contained therein requires our express consent.

Standard:

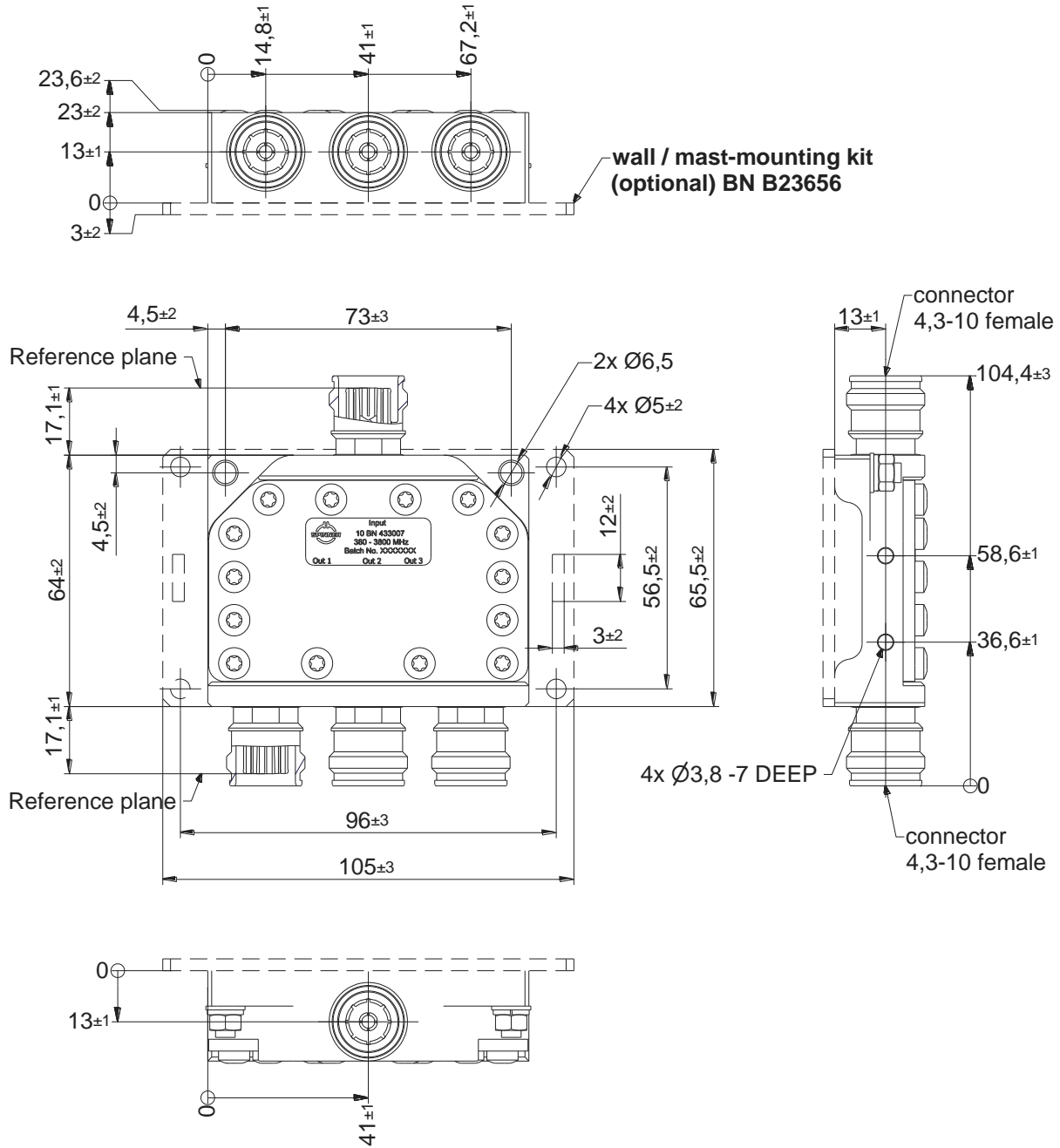
4.3-10 female (50 ohms): IEC 61169-54

modifications reserved!

Template TD-00002Y

Symmetrics Splitters 380-3800MHz

BN 433007



SPINNER GmbH
 This document is proprietary to us.
 All rights reserved. Any use, transfer, or reproduction of this document
 or the know-how contained therein requires our express consent.

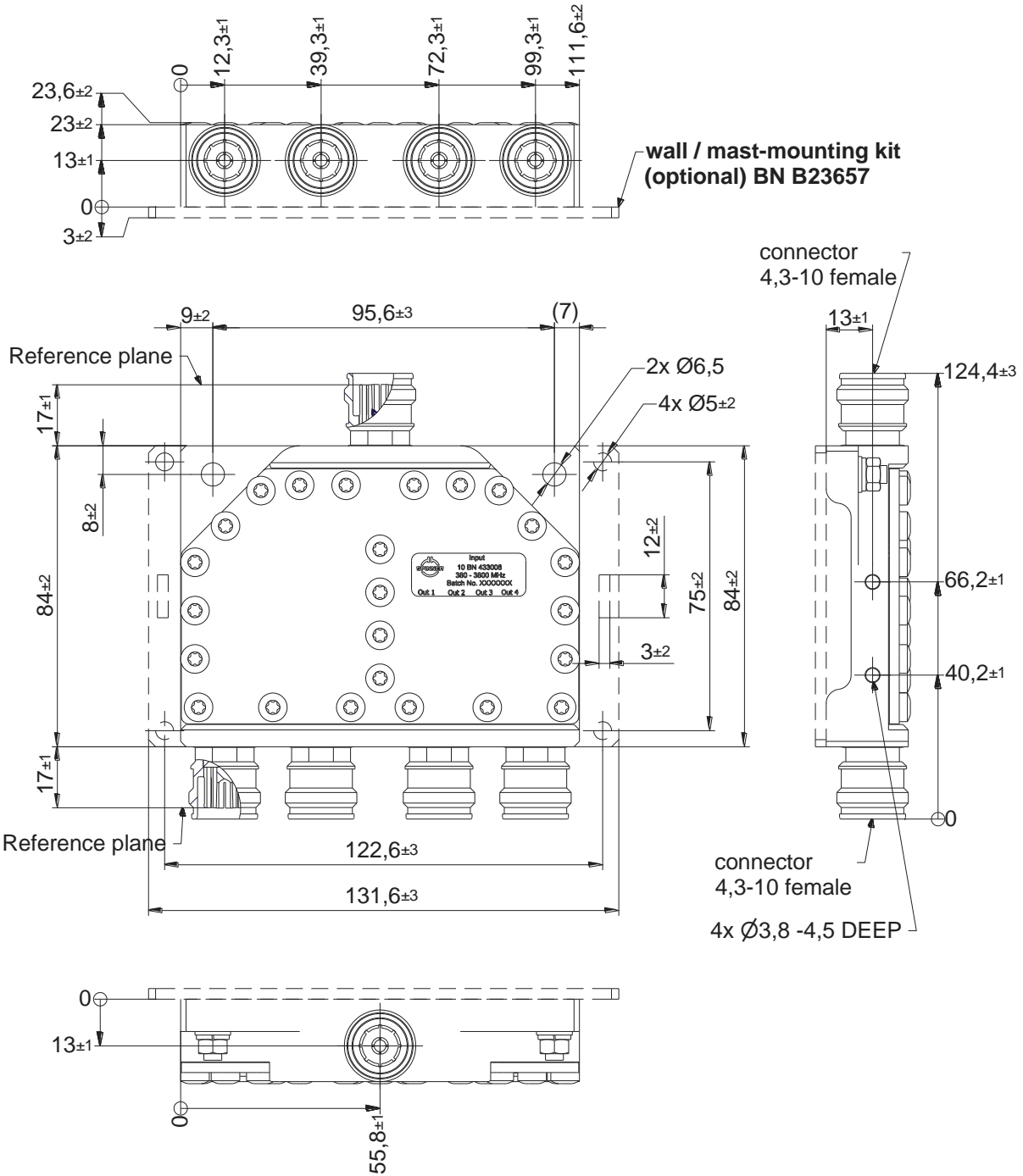
Standard:

4.3-10 female (50 ohms): IEC 61169-54

modifications reserved!

Symmetrics Splitters 380-3800MHz

BN 433008



SPINNER GmbH
This document is proprietary to us.
All rights reserved. Any use, transfer, or reproduction of this document
or the know-how contained therein requires our express consent.

Standard:

4.3-10 female (50 ohms): IEC 61169-54

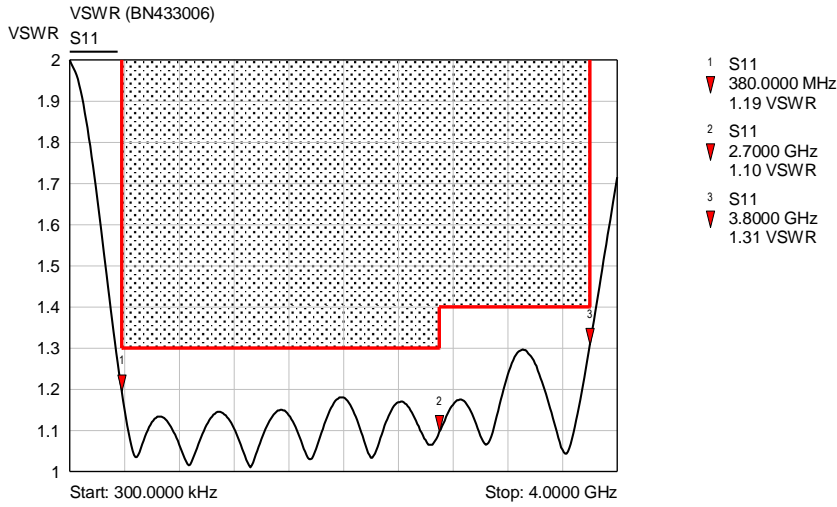
modifications reserved

Template TD-00002Y

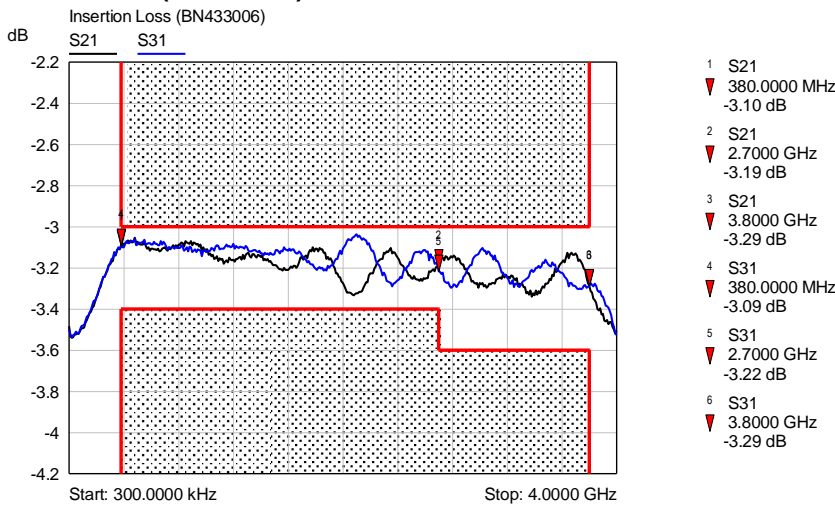
Symmetrics Splitters 380-3800MHz

Measurements:

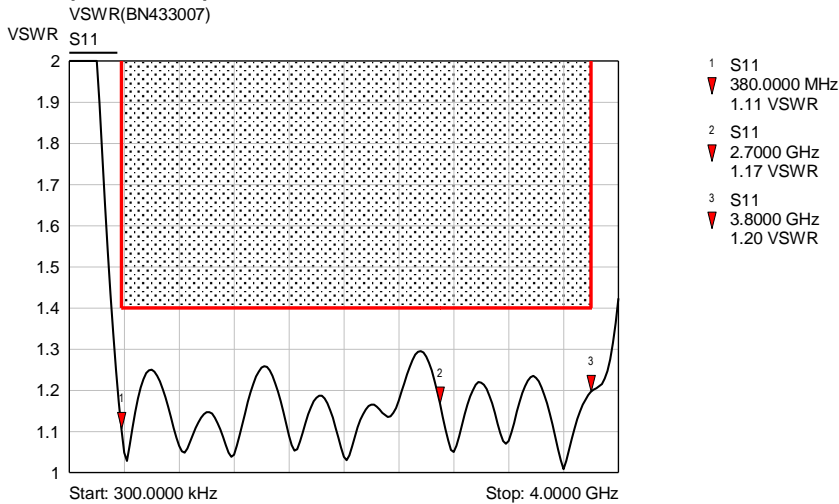
VSWR (BN433006):



Insertion loss (BN433006):



VSWR (BN433007):

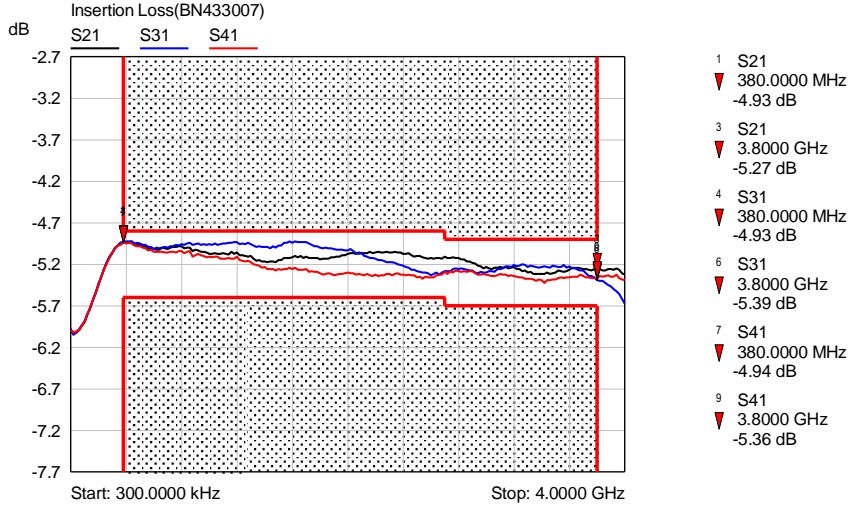


SPINNER GmbH. This document is proprietary to us. All rights reserved. Any use, transfer, or reproduction of this document or the know-how contained therein requires our express consent.

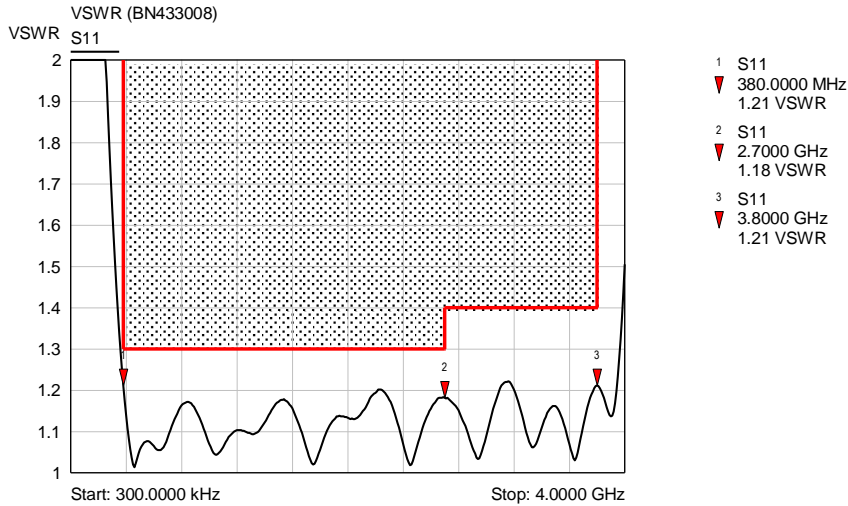
Template TD-00002Y

Symmetrics Splitters 380-3800MHz

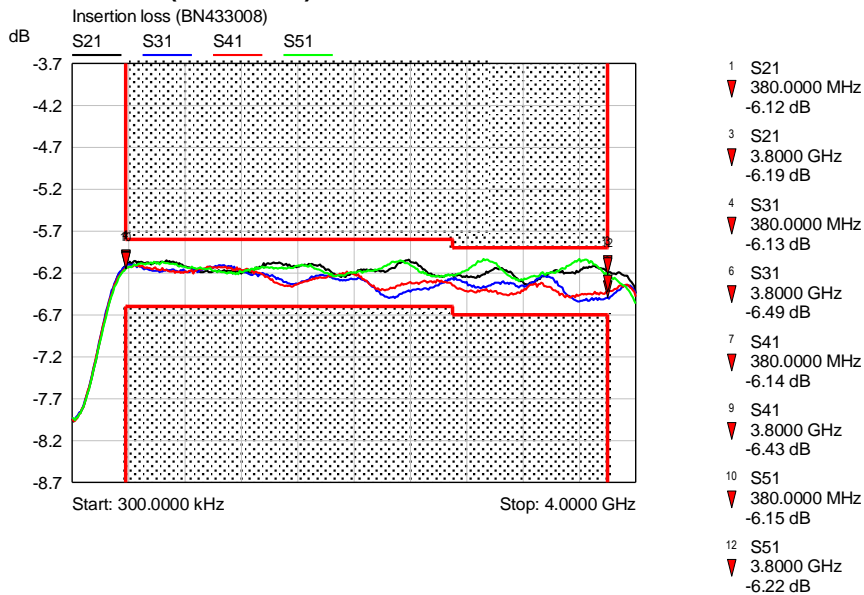
Insertion loss (BN433007):



VSWR (BN433008):



Insertion loss (BN433008):



SPINNER GmbH
 This document is proprietary to us.
 All rights reserved. Any use, transfer, or reproduction of this document
 or the know-how contained therein requires our express consent.

Template TD-00002Y