

## General Specifications

### Motor Protection:

Auto Restart/Polarity Protection

### Insulation Resistance:

10M Ω or over with a DC500V Megger

### Dielectric Withstand Voltage: AC 700V 1s

### Allowable Ambient Temperature Range:

B50 Class: -10°C ~ +40°C (Operating)

B10 ~ B40 Class: -10°C ~ +70°C (Operating)

B10 ~ B40 Class: -40°C ~ +70°C (Storage)

B50 Class: -40°C ~ +60°C (Storage)

(non-condensing environment)

## Expected Life

### Failure Rate: 10%

25°C 50,000 Hours (P00)

## Material

Casing : Plastic (Black) 94V-0

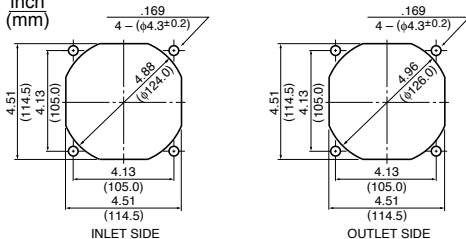
Impeller : Plastic (Black) 94V-0

Bearing : Ball Bearing

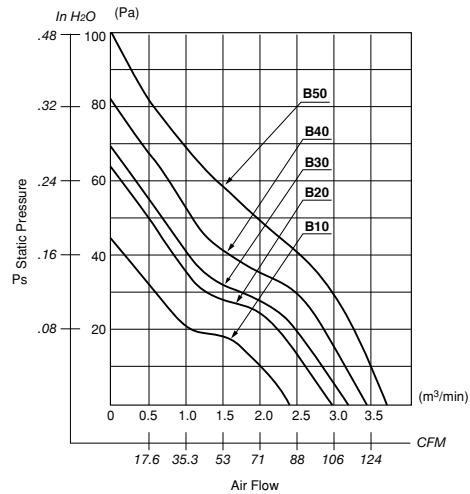
Lead Wire : UL1007, AWG24, +Red, -Black

## Panel Cut-Outs

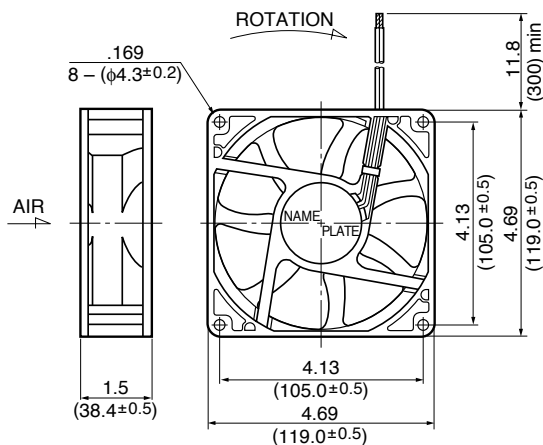
Units: inch (mm)



## Characteristic Curves



## Outline



## Specifications

MODEL	Rated Voltage	Operating Voltage	Current	Input Power	Speed	Max. Air Flow		Max. Static Pressure		Noise	Mass
						CFM <sup>1</sup>	(m <sup>3</sup> /min) <sup>1</sup>	in H <sub>2</sub> O	(Pa) <sup>1</sup>		
4715KL-04W-B10-	12	6.0 ~ 13.8	0.27	3.24	2300	83.6	2.37	.17	44.1	37.0	260
4715KL-04W-B20-	12	6.0 ~ 13.8	0.40	4.80	2650	97.0	2.75	.22	55.9	41.0	260
4715KL-04W-B30-	12	6.0 ~ 13.8	0.55	6.60	2950	108.0	3.07	.27	68.2	42.5	260
4715KL-04W-B40-	12	6.0 ~ 13.8	0.70	8.40	3200	118.0	3.34	.33	81.4	46.5	260
4715KL-04W-B50-	12	9.5 ~ 12.6	1.00	12.00	3600	129.9	3.68	.44	110.0	50.0	260
4715KL-05W-B10-	24	10.0 ~ 27.6	0.15	3.60	2300	83.6	2.37	.17	44.1	37.0	260
4715KL-05W-B20-	24	10.0 ~ 27.6	0.21	5.04	2650	97.0	2.75	.22	55.9	41.0	260
4715KL-05W-B30-	24	10.0 ~ 27.6	0.31	7.44	2950	108.0	3.07	.27	68.2	42.5	260
4715KL-05W-B40-	24	10.0 ~ 27.6	0.35	8.40	3200	118.0	3.34	.33	81.4	46.5	260
4715KL-05W-B50-	24	18.0 ~ 25.0	0.50	12.00	3600	130.0	3.68	.44	110.0	50.0	260
4715KL-07W-B10-	48	25.0 ~ 55.2	0.08	3.84	2300	83.6	2.37	.17	44.1	37.0	260
4715KL-07W-B20-	48	25.0 ~ 55.2	0.11	5.28	2650	97.0	2.75	.22	55.9	41.0	260
4715KL-07W-B30-	48	25.0 ~ 55.2	0.16	7.68	2950	108.0	3.07	.27	68.2	42.5	260
** 4715KL-07W-B40-	48	25.0 ~ 55.2	0.20	9.60	3200	118.0	3.34	.33	81.4	46.5	260
4715KL-07W-B50-	48	30.0 ~ 60.0	0.16	7.68	3600	130.0	3.68	.44	110.0	50.0	260

Rotation: Clockwise

Airflow Outlet: Air Out Over Struts

\*1: Average Values in Free Air

\*\* Contact NMB for availability

# Mouser Electronics

Authorized Distributor

Click to View Pricing, Inventory, Delivery & Lifecycle Information:

## NMB Technologies:

<a href="#"><u>4715KL-05W-B59-E00</u></a>	<a href="#"><u>4715KL-04W-B29-E00</u></a>	<a href="#"><u>4715KL-04W-B49-E00</u></a>	<a href="#"><u>4715KL-07W-B29-E00</u></a>	<a href="#"><u>4715KL-04W-B50-E00</u></a>
<a href="#"><u>4715KL-05W-B40-E00</u></a>	<a href="#"><u>4715KL-05W-B19-E00</u></a>	<a href="#"><u>4715KL-05W-B29-E00</u></a>	<a href="#"><u>4715KL-05W-B50-E00</u></a>	<a href="#"><u>4715KL-07W-B49-E00</u></a>
<a href="#"><u>4715KL-07W-B50-E00</u></a>	<a href="#"><u>4715KL-05W-B49-E50</u></a>	<a href="#"><u>4715KL-07W-B49-E50</u></a>	<a href="#"><u>4715KL-07W-B40-E00</u></a>	<a href="#"><u>4715KL-04W-B19-E50</u></a>
<a href="#"><u>4715KL-04W-B40-E00</u></a>	<a href="#"><u>4715KL-04W-B59-E00</u></a>	<a href="#"><u>4715KL-05W-B30-E00</u></a>	<a href="#"><u>4715KL-07W-B10-E00</u></a>	<a href="#"><u>4715KL-07W-B19-E00</u></a>
<a href="#"><u>4715KL-07W-B39-E50</u></a>	<a href="#"><u>4715KL-04W-B59-E50</u></a>	<a href="#"><u>4715KL-05W-B39-E00</u></a>	<a href="#"><u>4715KL-07W-B19-E50</u></a>	<a href="#"><u>4715KL-04W-B20-E00</u></a>
<a href="#"><u>4715KL-07W-B29-E50</u></a>	<a href="#"><u>4715KL-04W-B39-E00</u></a>	<a href="#"><u>4715KL-07W-B39-E00</u></a>	<a href="#"><u>4715KL-04W-B49-E50</u></a>	<a href="#"><u>4715KL-05W-B39-E50</u></a>
<a href="#"><u>4715KL-07W-B59-E00</u></a>	<a href="#"><u>4715KL-07W-B59-E50</u></a>	<a href="#"><u>4715KL-04W-B10-E00</u></a>	<a href="#"><u>4715KL-04W-B30-E00</u></a>	<a href="#"><u>4715KL-05W-B59-E50</u></a>
<a href="#"><u>4715KL-05W-B29-E50</u></a>	<a href="#"><u>4715KL-05W-B49-E00</u></a>	<a href="#"><u>4715KL-07W-B20-E00</u></a>	<a href="#"><u>4715KL-07W-B30-E00</u></a>	<a href="#"><u>4715KL-04W-B39-E50</u></a>
<a href="#"><u>4715KL-05W-B19-E50</u></a>	<a href="#"><u>4715KL-04W-B29-E50</u></a>	<a href="#"><u>4715KL-05W-B10-E00</u></a>	<a href="#"><u>4715KL-05W-B20-E00</u></a>	<a href="#"><u>4715KL-04W-B19-E00</u></a>