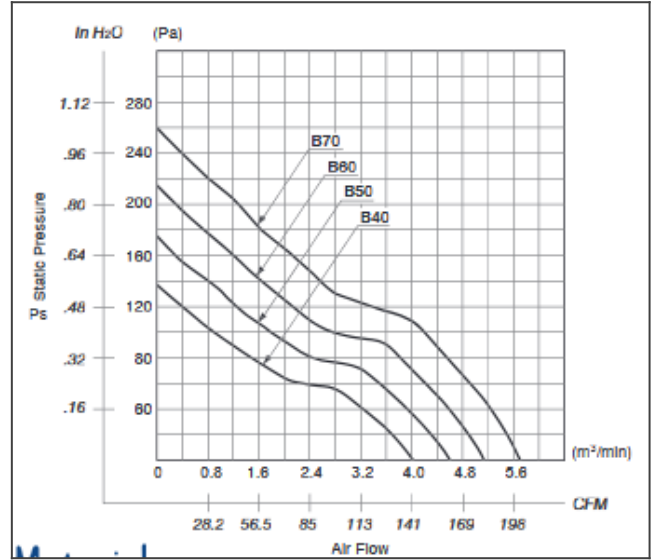


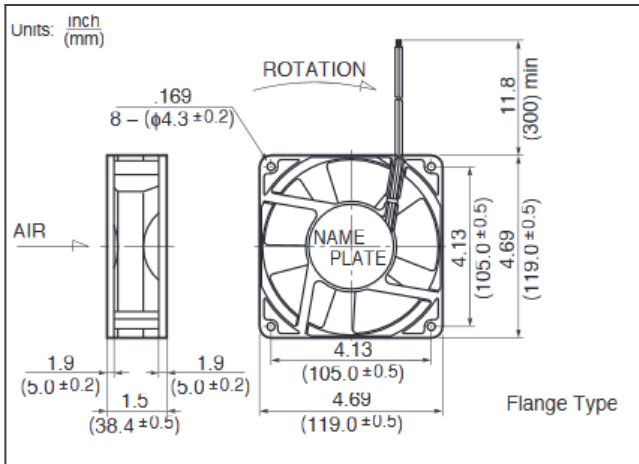
order part 4715SL-05W-B60-D00 Ball Bearing Fan DC Axial Fans

4715SL characteristic curve



4715SL product drawing

DC Axial Fans



Detailed Specifications

Fan Size:	119[mm]
Fan Width:	38.4[mm]
Max. Air Flow:	181[CFM]
Max. Air Flow:	5.13[m ³ /min]
Max. Static Pressure:	0.85[In H ₂ O]
Fan Speed:	4700[RPM]
Noise:	59.5[dB]
Life Expectancy:	25 degree C 50,000 Hours[L10]
Bearing Type:	Ball Bearing
Speed Control:	-
Nominal Voltage:	24[V]
Operating Voltage Lower:	15[V]
Operating Voltage Upper:	26.4[V]
Current:	0.93[A]
Input Power:	22.4[W]
Mass:	400[g]
IP Rating:	Standard

DC Axial Fans