

Technical data sheet

Reflector

Part no.: 50105153

TKS 50X50.1

Contents

- Technical data
- Dimensioned drawings
- Accessories



Figure can vary

Technical data

Mechanical data

Design	Rectangular
Triple reflector size	4 mm
Mounting dimension, width	51.4 mm
Mounting dimension, height	60.3 mm
Mounting dimension, thickness	8.5 mm
Reflection surface height	48 mm
Reflection surface width	47 mm
Reflector material	Plastic
Material of base material	Plastic
Chemical designation, reflector material	PMMA8N
Structure, active surface	Triple
Net weight	18 g
Type of fastening	Adhesive Through-hole mounting

Certifications

Degree of protection	IP 67
----------------------	-------

Classification

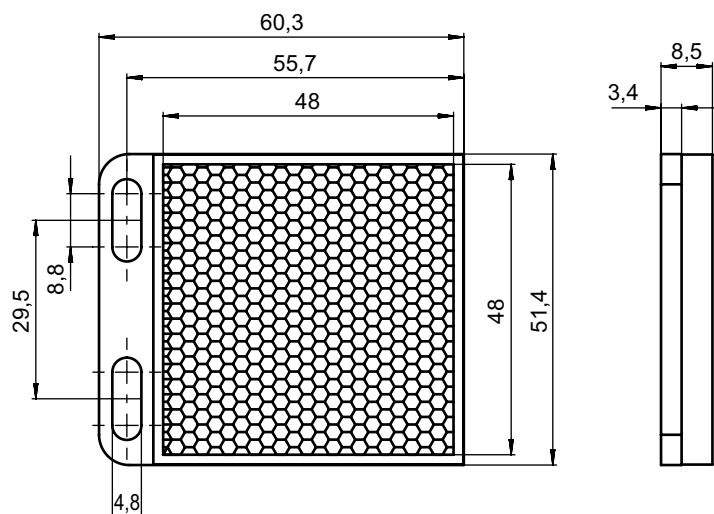
Customs tariff number	90029000
eCl@ss 5.1.4	27279203
eCl@ss 8.0	27279203
eCl@ss 9.0	27273601
eCl@ss 10.0	27273601
eCl@ss 11.0	27273601
ETIM 5.0	EC002467
ETIM 6.0	EC002467
ETIM 7.0	EC002467

Environmental data

Ambient temperature, operation	-40 ... 65 °C
--------------------------------	---------------

Dimensioned drawings

All dimensions in millimeters



Accessories

Mounting technology - Rod mounts

	Part no.	Designation	Article	Description
	50117252	BTU 300M-D12	Mounting system	Design of mounting device: Mounting system Fastening, at system: For 12 mm rod, Sheet-metal mounting Mounting bracket, at device: Screw type, Suited for M4 screws Type of mounting device: Clampable, Adjustable, Turning, 360° Material: Metal

Accessories

Note



A list with all available accessories can be found on the Leuze website in the Download tab of the article detailed page.