

Coaxial Two Way Plug-in Switch (DPDT) || BN 553664



Product manual: M36275

Radio frequency characteristics

Interface type (4 connections)	43-98 USL-D according to company standard 61795		
Characteristic impedance	50 Ω		
Frequency range	0 to 100 MHz	100 to 230 MHz	230 to 860 MHz
VSWR, max.	1.04	1.04	1.04
Isolation, min.	80 dB	80 dB	60 dB
Insertion loss, max.	0.1 dB	0.1 dB	0.1 dB
Average power capability *	82 kW	42 kW	28 kW
Peak voltage capability *	14.5 kV		

Electrical and mechanical data

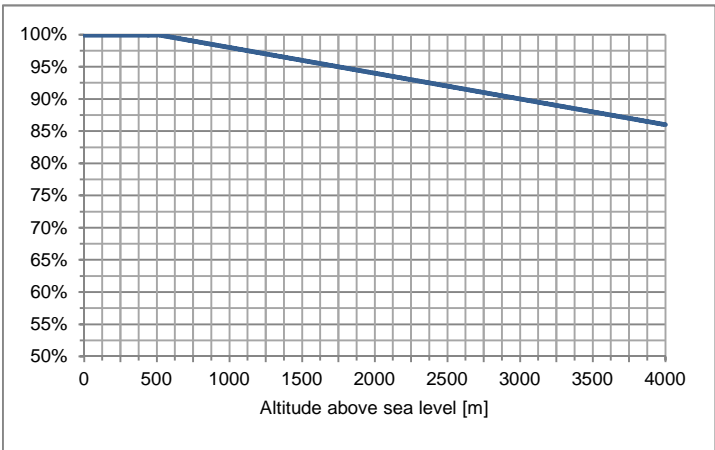
Switch type	Two way switch, DPDT	
Actuator type	Motor drive, latching, self cutoff	
Strapping plug for USL-interlock I	Connector J3 ***	8 pole SPINNER connector BN 125651
	Maximum ratings	SELV circuits according to IEC-EN-60950-1, 42.4 V ACpk / 60 V DC / 0.5 A
	Nominal fuse	The circuits must be externally limited to 0.5 A
Connector J2 ** for mains connection	5 pole SPINNER connector BN 126920, certified according to VDE-Reg. No. B687, DIN EN 61984: 2009-11; EN 61984: 2009	
Mains connection	L, N, PE, TN-System	
Operating	Operating voltage	230 V AC ±10% 50/60 Hz
	Current, typ. ****	1 A
	Nominal fuse	The switch must be externally fused by time-delay, 2 A

Template TD-00002S

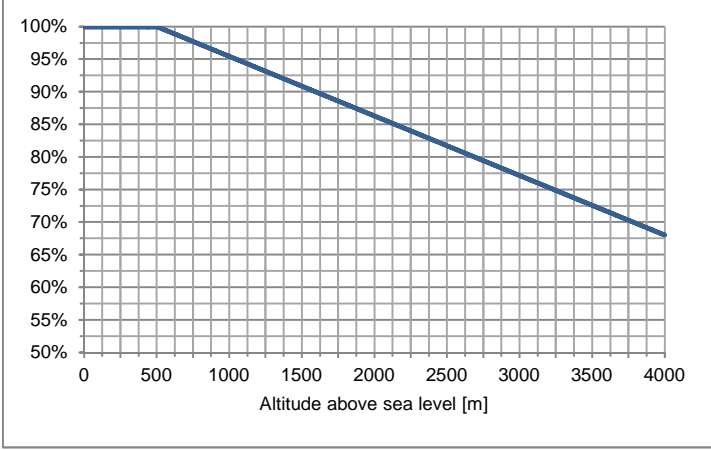
Coaxial Two Way Plug-in Switch (DPDT) || BN 553664

Connector J1 ** for control, interlock contacts and signaling		25 pole connector according to DIN 41652 / IEC 807-2
Control	Control voltage	SELV circuits according to IEC EN 60950-1, 8 to 31 V DC
	Current, typ.	22 mA
	Nominal fuse	The circuit must be externally fused with 0.5 A
Signal contacts Interlock contacts	Maximum ratings	SELV circuits according to IEC EN 60950-1, 42.4 V ACpk / 60 V DC / 0.5 A
	Nominal fuse	The circuit must be externally limited to 0.5 A
Switching time, typ.****		0.5 s
Command hold time, min.		0.5 s (during this time, the voltage at control input must not change)
Switching frequency, max.		10 operations per minute
Life, min.		250,000 operations
Weight, approx.		22 kg

Environmental conditions

Operational conditions	ETSI EN 300 019-1-3 V2.3.2 (2009-1) class 3.1 N																				
Ambient temperature ****	-10 to +45°C																				
Condensation	Not allowed																				
Relative humidity, max.	95%																				
Derating of input power with increasing altitude	<p>The maximum input power can be applied up to 500 m or 1600 ft above sea level unless noted otherwise in the data sheet. Above this height the maximum input power must be reduced as shown in the diagram.</p>  <table border="1"> <caption>Derating of input power with increasing altitude</caption> <thead> <tr> <th>Altitude above sea level [m]</th> <th>Input Power (%)</th> </tr> </thead> <tbody> <tr> <td>0</td> <td>100</td> </tr> <tr> <td>500</td> <td>100</td> </tr> <tr> <td>1000</td> <td>95</td> </tr> <tr> <td>1500</td> <td>90</td> </tr> <tr> <td>2000</td> <td>85</td> </tr> <tr> <td>2500</td> <td>80</td> </tr> <tr> <td>3000</td> <td>75</td> </tr> <tr> <td>3500</td> <td>70</td> </tr> <tr> <td>4000</td> <td>65</td> </tr> </tbody> </table>	Altitude above sea level [m]	Input Power (%)	0	100	500	100	1000	95	1500	90	2000	85	2500	80	3000	75	3500	70	4000	65
Altitude above sea level [m]	Input Power (%)																				
0	100																				
500	100																				
1000	95																				
1500	90																				
2000	85																				
2500	80																				
3000	75																				
3500	70																				
4000	65																				

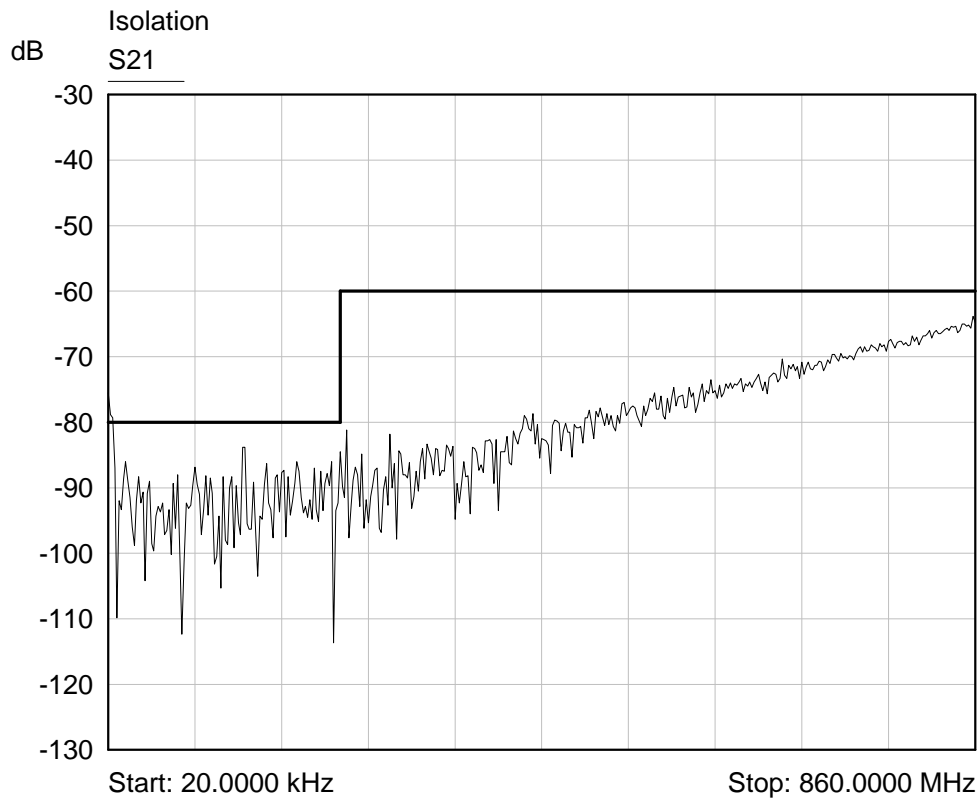
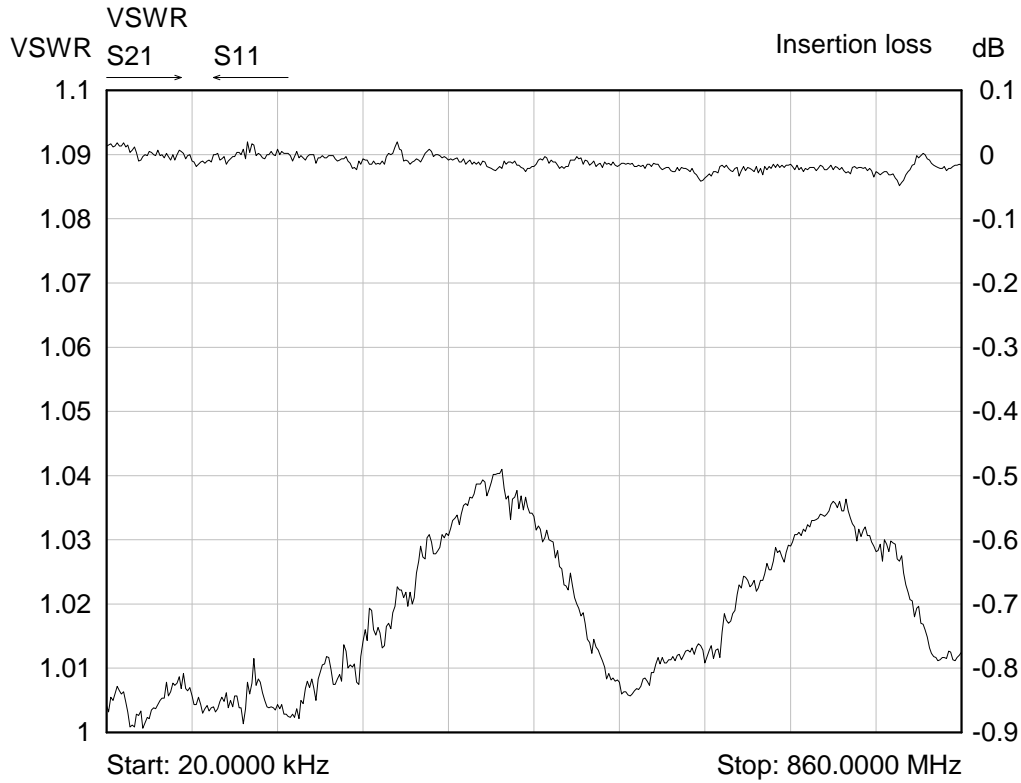
Coaxial Two Way Plug-in Switch (DPDT) || BN 553664

<p>Derating of voltage with increasing altitude</p>	<p>The maximum voltage can be applied up to 500 m or 1600 ft above sea level unless noted otherwise in the data sheet. Above this height the maximum input power must be reduced as shown in the diagram.</p>  <table border="1"> <caption>Derating of voltage with increasing altitude</caption> <thead> <tr> <th>Altitude above sea level [m]</th> <th>Derating (%)</th> </tr> </thead> <tbody> <tr><td>0</td><td>100</td></tr> <tr><td>500</td><td>100</td></tr> <tr><td>1000</td><td>95</td></tr> <tr><td>1500</td><td>90</td></tr> <tr><td>2000</td><td>85</td></tr> <tr><td>2500</td><td>80</td></tr> <tr><td>3000</td><td>75</td></tr> <tr><td>3500</td><td>70</td></tr> <tr><td>4000</td><td>68</td></tr> </tbody> </table>	Altitude above sea level [m]	Derating (%)	0	100	500	100	1000	95	1500	90	2000	85	2500	80	3000	75	3500	70	4000	68
Altitude above sea level [m]	Derating (%)																				
0	100																				
500	100																				
1000	95																				
1500	90																				
2000	85																				
2500	80																				
3000	75																				
3500	70																				
4000	68																				
<p>Max. altitude above sea level</p>	<p>4,000 m or 13,120 ft according to IEC EN 60664-1</p>																				
<p>Protection class</p>	<p>I according to IEC EN 61140</p>																				
<p>IP protection level</p>	<p>IP40 according to IEC EN 60529 (all interfaces equipped with appropriate gaskets)</p>																				
<p>Installation position</p>	<p>Any</p>																				
<p>Transport conditions</p>	<p>ETSI EN 300 019-1-2 V2.1.4 (2003-04) class 2.2</p>																				
<p>Ambient temperature</p>	<p>-25 to +70°C</p>																				
<p>Rain, condensation, icing</p>	<p>Not allowed</p>																				
<p>Storage conditions</p>	<p>ETSI EN 300 019-1-1 V2.1.4 (2003-04) class 1.2</p>																				
<p>Ambient temperature</p>	<p>-10 to +45°C</p>																				
<p>Rain, condensation, icing</p>	<p>Not allowed</p>																				

- * *Standard conditions:*
Dielectric: Dry air under standard pressure at sea level (p = 1013 hPa)
Load VSWR, max. 1.0 (no standing wave)
No modulation, sinusoidal carrier only
- ** *Suitable mating connector included*
- *** *Suitable SPINNER mating connector BN 539145 not in delivery!*
- **** *At room temperature and nominal voltage 230 V AC*
- ***** *Extended temperature range on request*

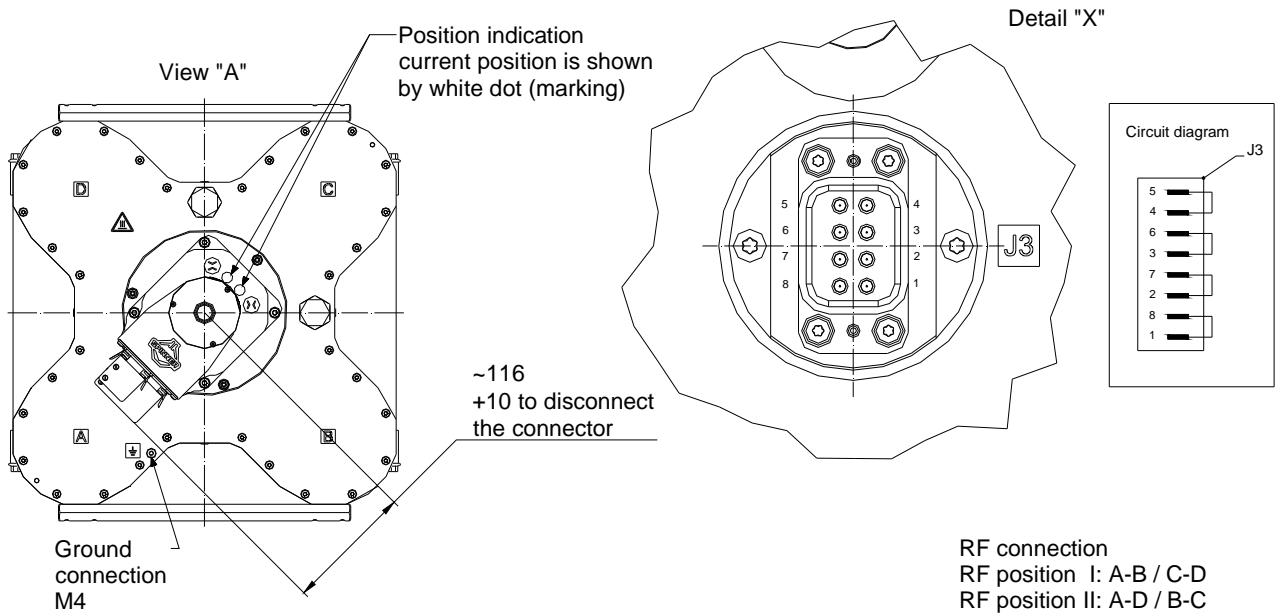
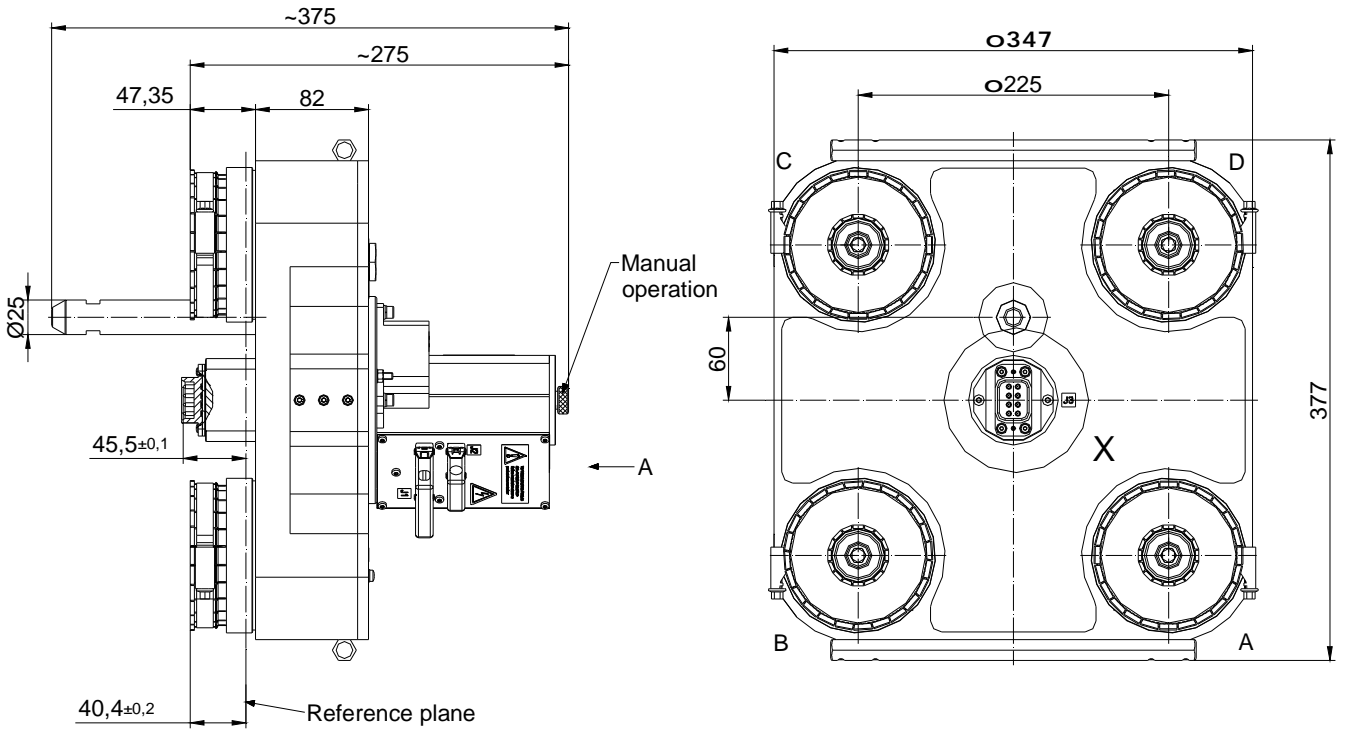
Coaxial Two Way Plug-in Switch (DPDT) || BN 553664

Typical diagram



Coaxial Two Way Plug-in Switch (DPDT) || BN 553664

Outline (all dimensions in millimeters)



RF connection
 RF position I: A-B / C-D
 RF position II: A-D / B-C

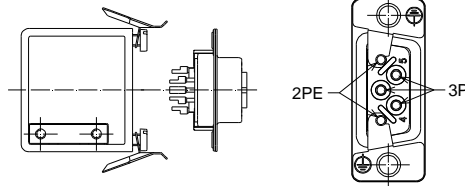
Coaxial Two Way Plug-in Switch (DPDT) || BN 553664

Cable socket (126919-0E, Issue D)

© 1999 Spinner GmbH Elektrotechnische Fabrik
 This drawing is proprietary to us. All rights reserved.
 Any use, transfer or reproduction of the drawing or the
 know-how contained therein requires our express consent.

Anleitung für den Kabelanschluss
 Instructions for cable connection

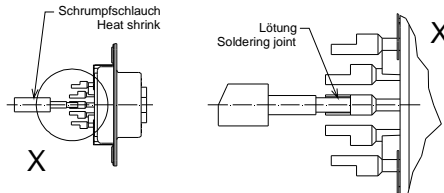
1. Entfernen des Schutzgehäuses
 Removing of the protective housing



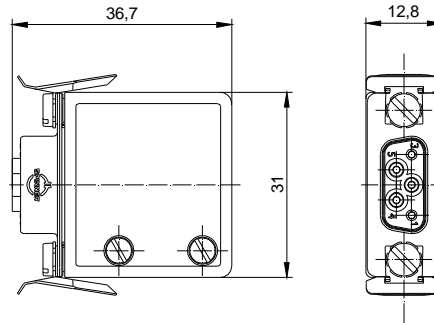
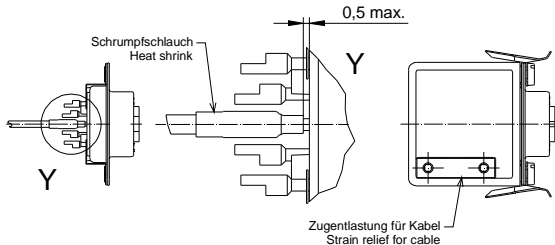
2. Absetzen der Kabelitzen
 Trimming of the cable strands



3. Anbringen der drei Schrumpfschläuche (PIN 2/4/5)
 3.a Placing of the three heat shrinks (pins 2/4/5)
 3.b Lötten der fünf Kabelitzen
 3.b Soldering of the five cable strands



4. Aufschrumpfen der drei Schrumpfschläuche (PIN 2/4/5)
 4.a Shrinking three heat shrinks (pins 2/4/5)
 4.b Montage des Schutzgehäuses
 4.b Assembling of the protective housing



Technical data

5-polige Kabelkupplung 5 pole cable socket	ohne Schaltleistung Without breaking capacity
Bemessungsspannung Rated voltage	250 V AC
Bemessungsstrom Rated current	2 A
Bemessungsstoßspannung Rated impulse voltage	2.5 kV
Polzahl Number of poles	3P + 2PE
Anschlussart Kind of termination	Lötanschluss Solder termination
Leiterquerschnitt Cross section area	Max. 0.75 mm ² / min. 0.50 mm ²
Kabeldurchmesser Values for cable clamp	Ø 6 mm ... Ø 8 mm
Temperaturbereich Temperature range	-25 °C ... +85 °C
Steckzyklen Operation cycles	10
Schutzart Degree of protection	IP 20 nach / acc. to IEC EN 60529
Verschmutzungsgrad Degree of pollution	2
Max. Einsatzhöhe über N.N. Max. altitude above sea level	4000 m / 13,120 ft nach / acc. to IEC EN 60664-1
Schrumpfschlauch über Pins 2/4/5 Heat shrink above pins 2/4/5	
Zertifiziert nach Certified according to	VDE-Reg.-No. B687 DIN EN 61984: 2009-11; EN 61984: 2009
Zugelassene Steckerleiste Approved plug connector	BN 126920

Beim Anschluss eines Kabels sind die gültigen
 Sicherheitsvorschriften zu beachten!
 Please attend the valid safety rules for assembling!

Konstruktionsänderungen vorbehalten
 Design is subject to change without notice

Maßangaben in mm Dimensions in mm		Projektion E: Projection E:		Maßstab: / Scale:	
Allgemeintoleranzen: General tolerances: DIN ISO 2768mH		Datum: Date: 31.01.2011	Name: Name: Frank	Bezeichnung: Title: Kabelkupplung cable socket	
Index: Revision:	Änd.-Nr.: Issue-No.:	Erstellt: Creator: 31.01.2011	Name: Name: Frank	5-polig / 5 pole, 250 VAC	
Datum: Date: 01-1077203.12.2013	Name: Name: Hartmann	Geprüft: Checked: 12.12.2013	Hartmann	Zeichnungs-Nr.: Drawing-No.: 126919-0E	
D 01-1077203.12.2013	Hartmann	Spinner GmbH Erzgiessereistr. 33 D-80335 München		Format: Format: A4	Blatt: Sheet: 1 von: of: 1
C 01-0907127.02.2013	Hupfauer				
B DIV.CORR01.02.2011	Frank				
A Startindex31.01.2011	Frank				

Diese Zeichnung ist unser Eigentum. Verwendung, Vervielfältigung,
 Weitergabe der Zeichnungen oder des darin enthaltenen
 Know-hows an Dritte nur mit unserer ausdrücklichen Genehmigung.