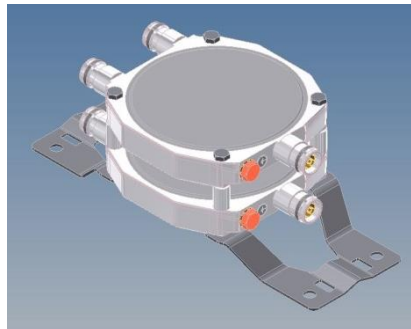


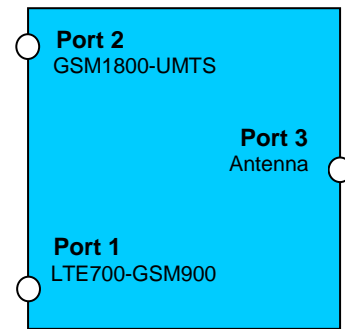
Diplexer LTE700-GSM900 / GSM1800-UMTS



Single Unit



Double Unit

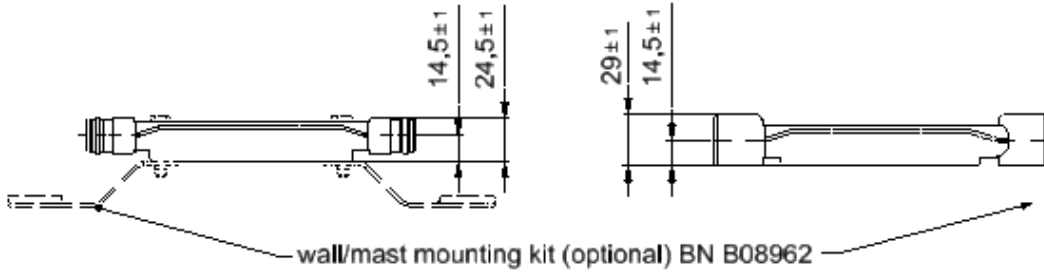


Block Diagram

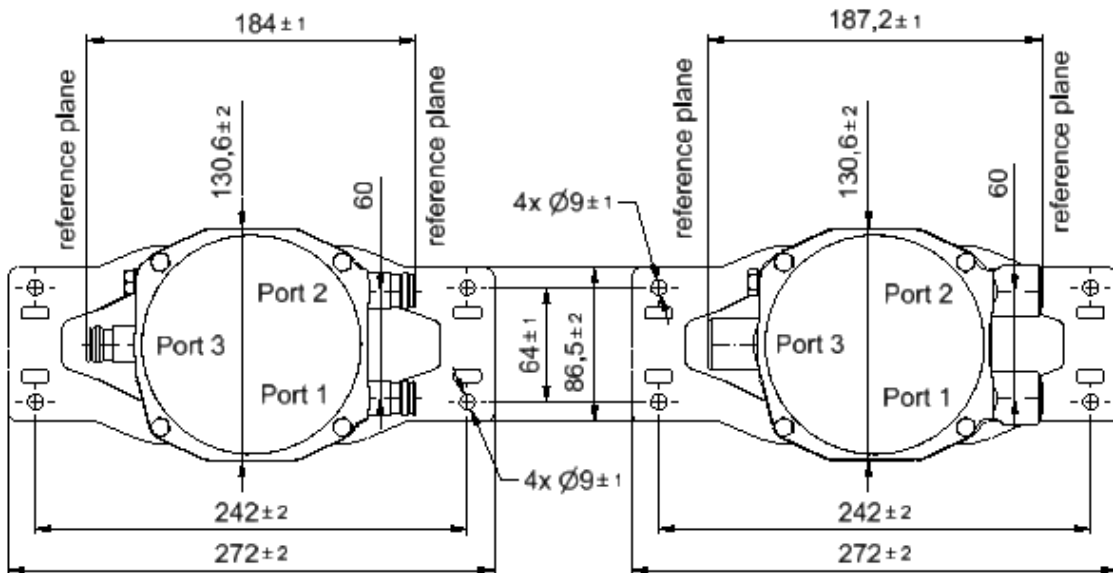
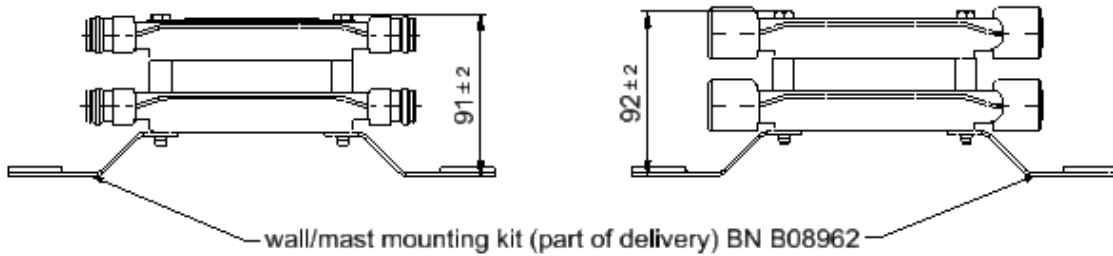
Part number		BN 572638	BN 572639	BN 572640	BN 572641	BN 570510	BN 570511	BN 570512	BN 570513
Version		single		double		single		double	
Connectors		4.3-10 female (50 ohms)				7-16 female (50 ohms)			
Frequency range		Port 1 Port 2 694 – 960 MHz (LTE700 / GSM900) 1710 – 2170 MHz (GSM1800-UMTS)							
Insertion loss		Port 1 → Port 3 Port 2 → Port 3 ≤ 0.12 dB ≤ 0.15 dB							
Isolation		Port 1 ↔ Port 2 ≥ 50 dB							
VSWR		≤ 1.2							
Power rating		Port 1 Port 2 ≤ 350 W CW ≤ 250 W CW				≤ 570 W CW ≤ 380 W CW			
DC-by-pass		Port 2 ↔ Port 3 All ports x x x x x x x max. 5 A per input max. 60V DC (AISG Standard, 2.0, §6.4) extension to 11.5 MHz							
Intermodulation products 3rd order @ 2 x 20 W		≤ -165 dBc typical: ≤ -170 dBc							
Degree of protection mated / 1bar, 1h, ≤18°C		IP 68							
Environmental conditions		ETSI EN 300019-1-1 Class 1.2 ETSI EN 300019-1-2 Class 2.3 ETSI EN 300019-1-4 Class 4.1E							
Temperature range		-40°C – +85°C							
Weight		0.7 kg		1.65 kg		0.95 kg		1.9 kg	
Wall / Mast mounting – single unit Wall / Mast mounting – double unit		to be ordered separately under BN B08962 part of delivery							

Dimensions:

Single Unit



Double Unit



Standards:

4,3-10 female (50 ohms): IEC 61169-54

7-16 female (50 ohms): IEC 61169-4

Modifications reserved!

Measurements:

