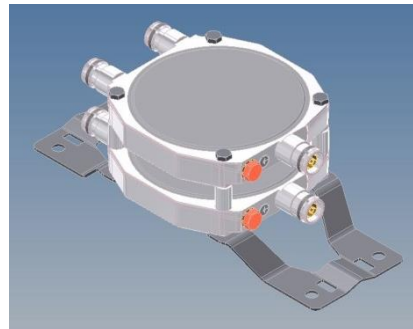


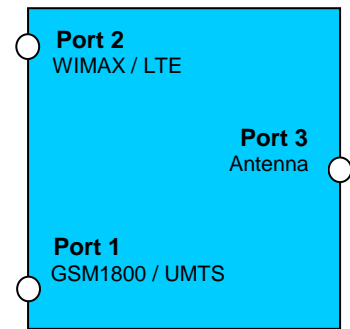
Diplexer GSM1800-UMTS / WiMAX-LTE2.6



Single Unit



Double Unit

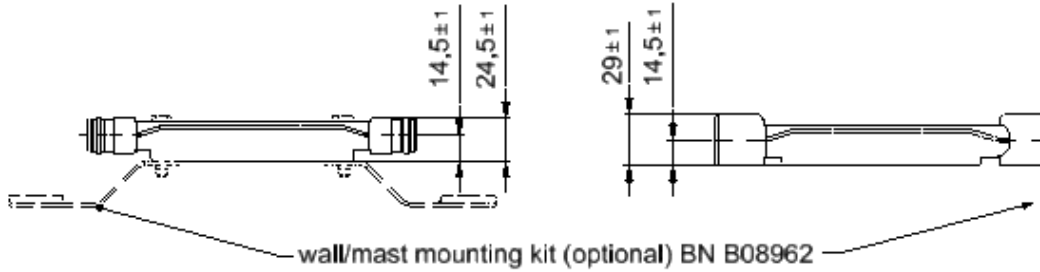


Block Diagram

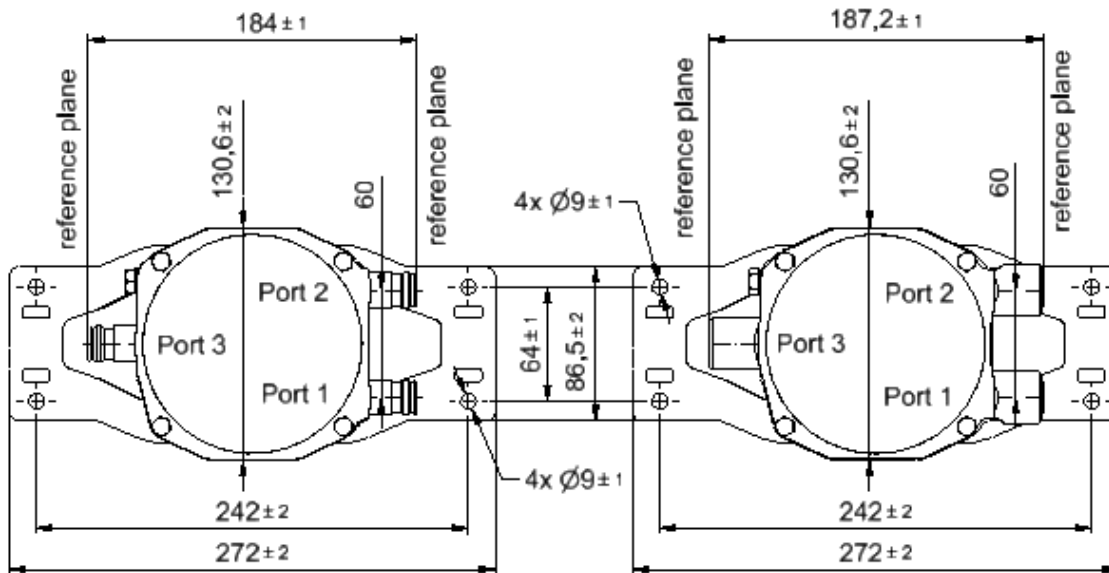
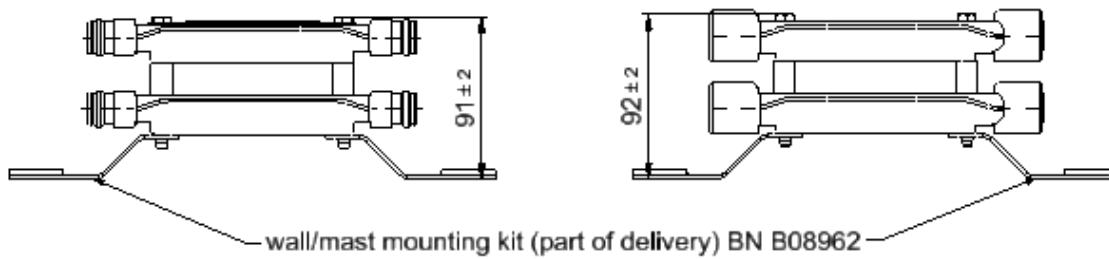
Part number		BN 572654	BN 572655	BN 572656	BN 572657	BN 572658	BN 572659	BN 570528	BN 573621	BN 573622	BN 572620	BN 572621	BN 572622			
Version		single			double			single			double					
Connectors		4.3-10 female (50 ohms)						7-16 female (50 ohms)								
Frequency range		Port 1 1710 – 2170 MHz (GSM1800/UMTS) Port 2 2496 – 2690 MHz (WiMAX/LTE) Port 3 common														
Insertion loss		Port 1 → Port 3			≤ 0.2 dB typical 0.12 dB			Port 2 → Port 3						≤ 0.2 dB typical 0.15 dB		
Isolation		Port 1 ↔ Port 2						≥ 50 dB								
VSWR		≤ 1.2														
Power rating		Port 1			≤ 300 W CW			Port 2			≤ 400 W CW			≤ 200 W CW		
DC-by-pass		Port 1 ↔ Port 3 x Port 2 ↔ Port 3 x All ports x max. 5 A per input max. 60V DC (AISG Standard, 2.0, §6.4)														
Intermodulation products 3rd order @ 2 x 20 W		≤ -165 dBc typical: ≤ -170 dBc														
Degree of protection mated / 1bar, 1h, ≤18°C		IP 68														
Environmental conditions		ETSI EN 300019-1-1 Class 1.2 ETSI EN 300019-1-2 Class 2.3 ETSI EN 300019-1-4 Class 4.1E														
Temperature range		-40°C – +85°C														
Weight		0.7 kg			1.7 kg			0.85 kg			2.0 kg					
Wall / Mast mounting – single unit Wall / Mast mounting – double unit		to be ordered separately under BN B08962 part of delivery														

Dimensions:

Single Unit



Double Unit



Standards:

4,3-10 female (50 ohms): IEC 61169-54

7-16 female (50 ohms): IEC 61169-4

Modifications reserved!

Measurements:

