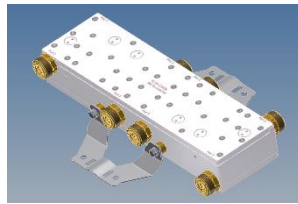
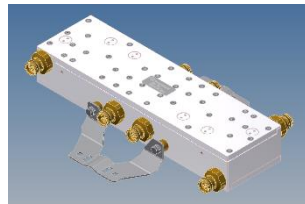


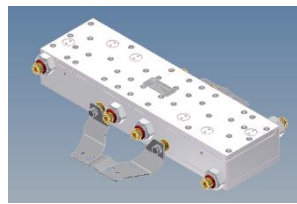
4-Way Combiner 694-2700 MHz



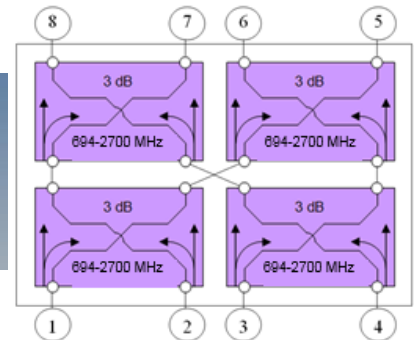
BN 570538



BN 570634

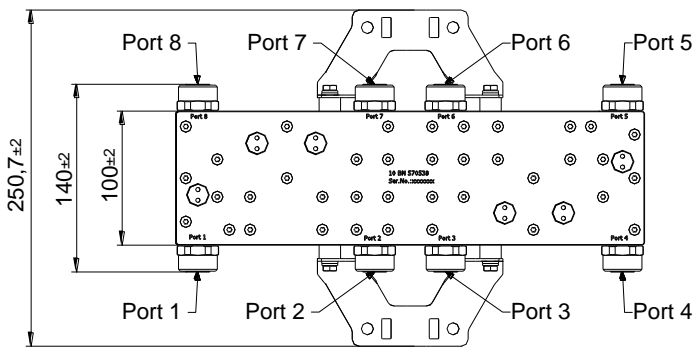
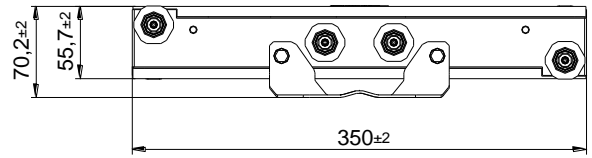
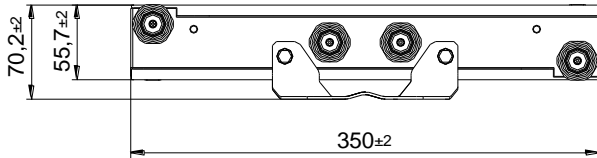


BN 570657

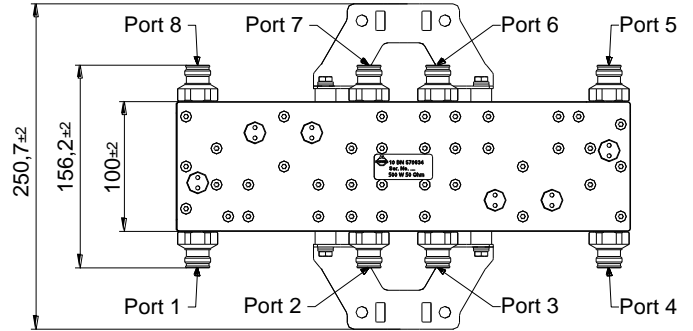


Part number	BN 570538	BN 570634	BN 570657
Connectors	7-16 socket (50 Ohms)	4.3-10 socket (50 Ohms)	N socket (50 Ohms)
Port 1 - 4 Port 5 - 8	Inputs Outputs		
Frequency range	694 - 2700 MHz		
Insertion loss (including nominal 6 dB splitting losses)			
694 - 800 MHz	6.1 dB ± 0.9 dB		
800 - 2700 MHz	6.1 dB ± 0.6 dB		
Isolation	≥ 30 dB typ. 32 dB		
VSWR			
694 - 2500 MHz	≤ 1.10		
2500 - 2700 MHz	≤ 1.12		
Power rating	500W (CW) max. per port	500W (CW) max. per port	250W (CW) max. per port
IM – value 3rd order at 2 x 20 W	≤-160 dBc typical: ≤-165 dBc	≤-160 dBc typ: ≤-165 dBc	≤155 dBc typ: ≤-160 dBc
Test voltage	500 V		
Special feature	DC path Port 1 → Port 5, Port 2 → Port 7 DC path Port 3 → Port 6, Port 4 → Port 8 (max. 6.5 A AISG2 conform)		
Degree of protection	IP 65 outdoor		
Environmental conditions	ETSI EN 300019-1-1 Class 1.2 ETSI EN 300019-1-2 Class 2.3 ETSI EN 300019-1-4 Class 4.1E		
Weight	5.5 kg		
Wall / Mast mounting	part of delivery		
Temperature range	-40°C - +70°C		
Dimensions (w x h x d)	see drawing		

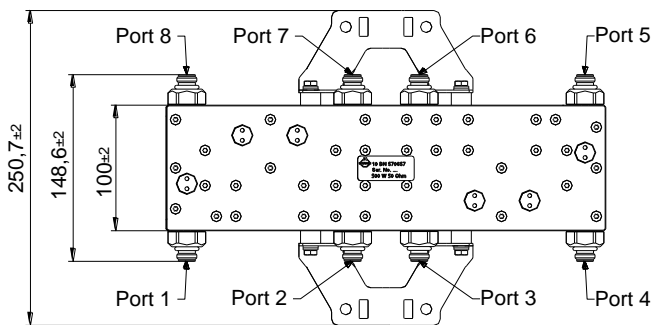
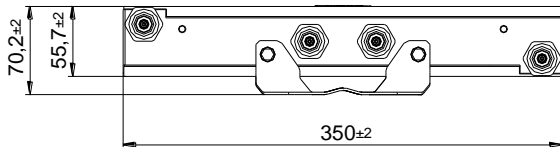
Diminsions:



BN 570538

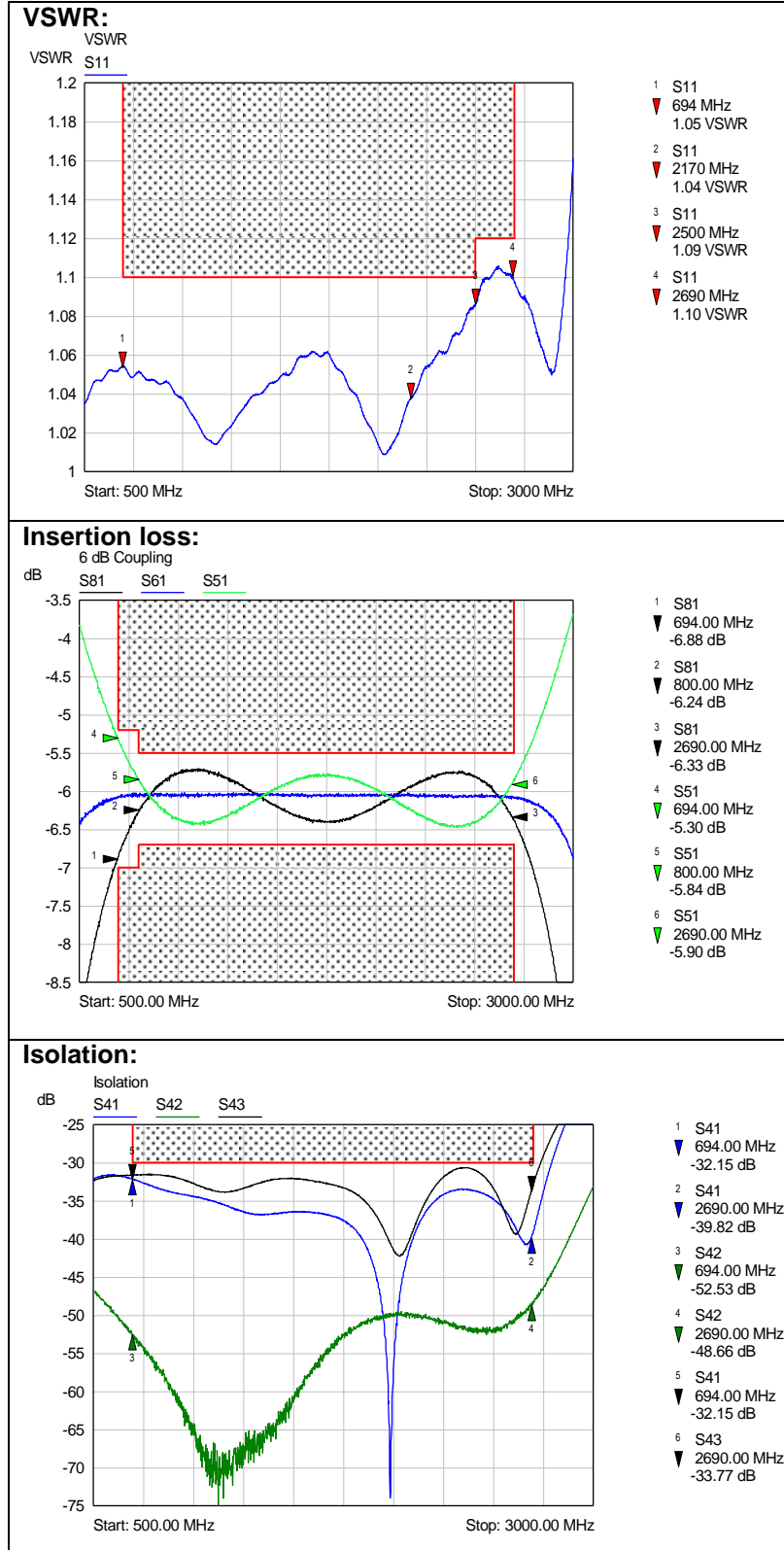


BN 570634



BN 570657

Measurements:



typical for: S11 ... S44

typical for: S51, S63, S72, S84

typical for: S54, S62, S73, S81

typical for: S52, S53, S61, S64, S71, S74, S82, S83

typical for: S31, S42

typical for: S21, S43

typical for: S32, S41