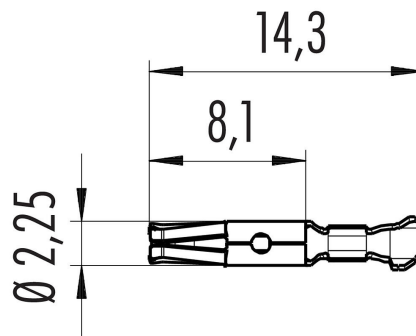


Product description	M16 IP40 / M16 IP67 / Bayonet HEC - Socket contact, 50 pcs. single; Series 423/425/581/680/682/696/723
Part no.	61 0797 085 00

Illustration



Scale drawing



Technical data

General features

Part no.	61 0797 085 00
Version	socket contact
Cross-sectional area	0.35 - 0.50 mm ²
Packaging type	Bag (50 pcs.)
Crimp dimensions (guide value)	0.35 mm ² : 0.93 - 1.1 mm - 0.50 mm ² : 0.95 - 1.12 mm
Crimp pullout force	0.35 mm ² : 53 N - 0.50 mm ² : 73 N
Weight (g)	9.98
Customs tariff number	85369010

Material

Contact material	CuSn (bronze)
Contact plating	Ag (silver)
REACH SVHC	None (No pollutants)
SCIP number	SCIP-number not available

Classifications

eCl@ss 11.1	27-46-04-03
-------------	-------------