

MATERIALS AND FINISHES:

BODY: BRASS
 PLATED: NICKEL (100μ-in MIN)

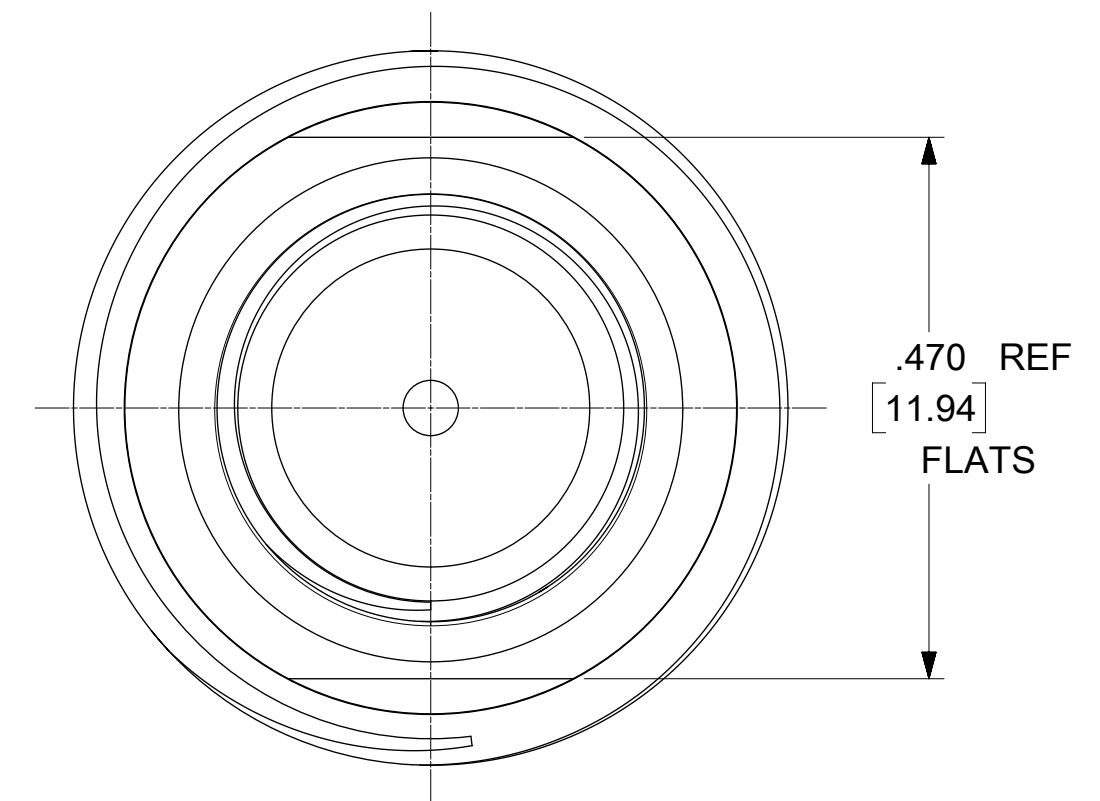
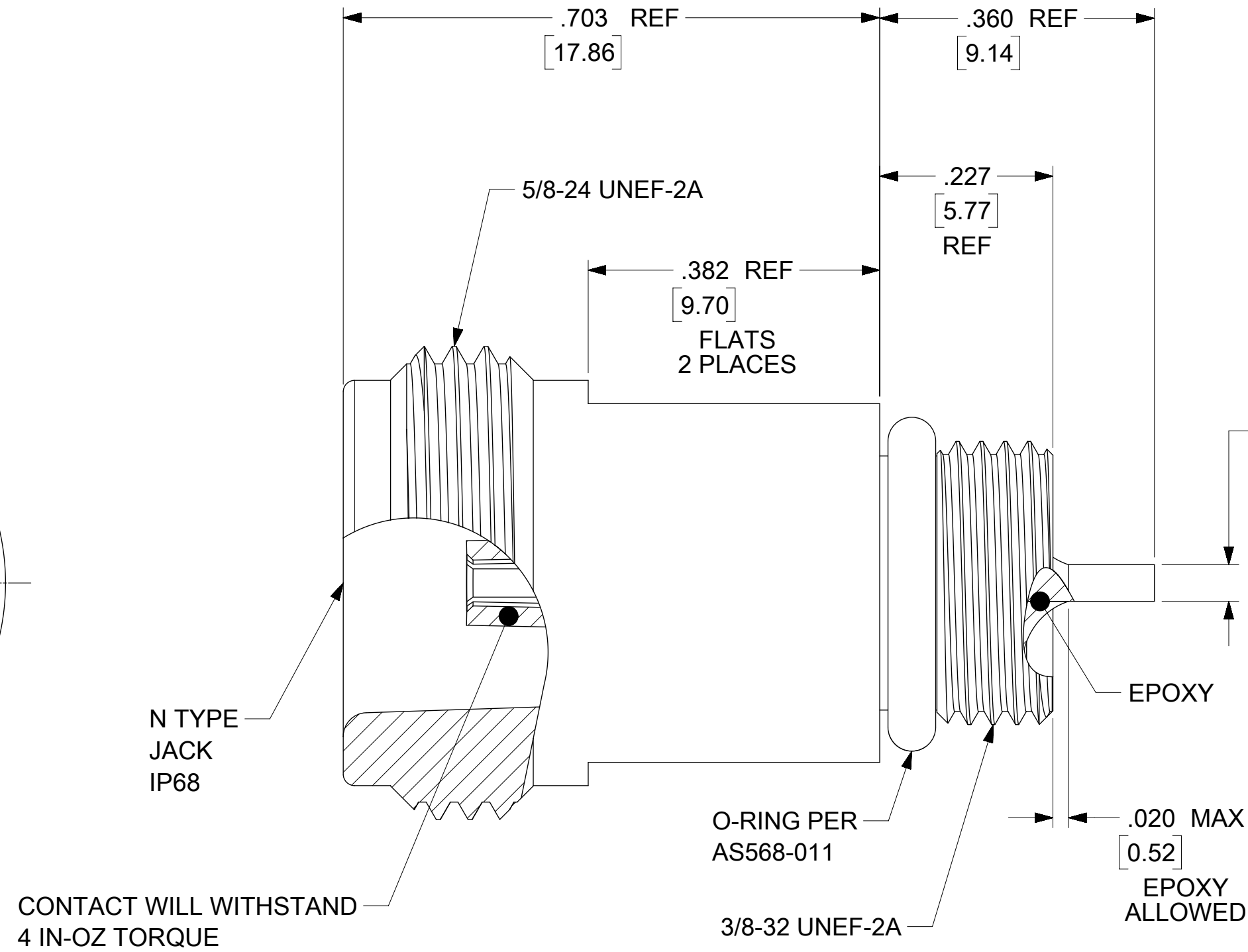
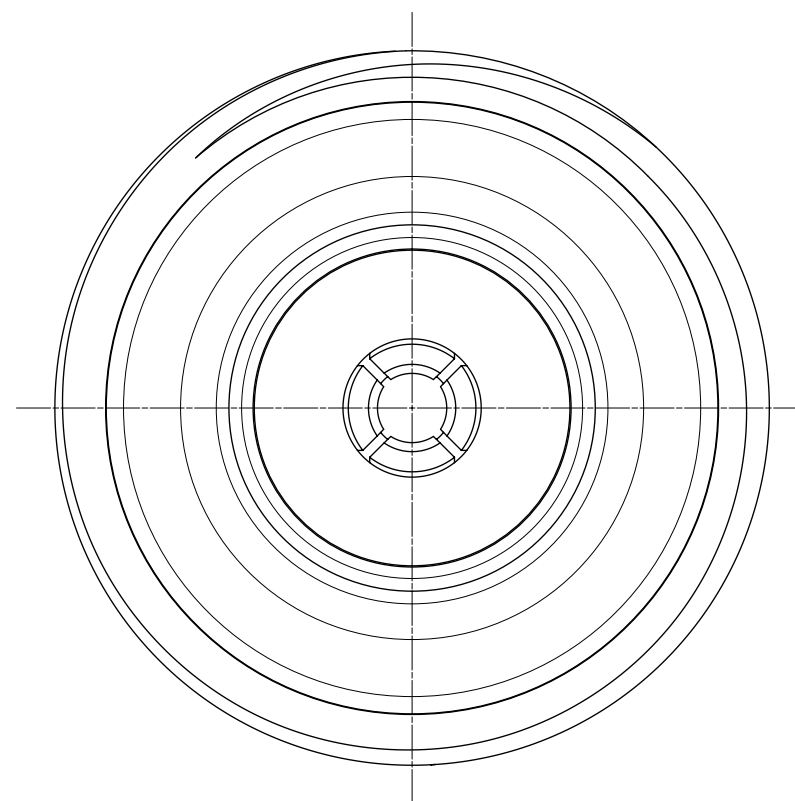
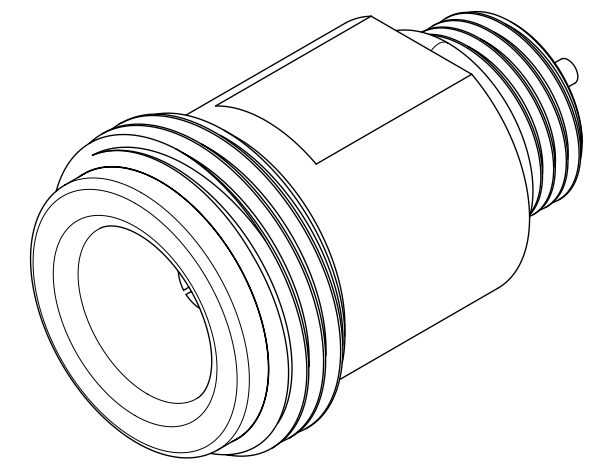
CONTACT: BERYLLIUM COPPER
 PLATED: GOLD (30μ-in MIN)
 OVER NICKEL (100μ-in MIN)

INSULATOR: PTFE

O-RING: BUNA-N (NBR NITRILE)

EPOXY: 3M DP-420 OR DP-460

PACKAGING: TRAY



PART # 73276-2780

MIL-STD-348B, FIG. 304-2	INTERFACE
SPECIFICATION	DESCRIPTION

SYMBOLS ▽ = 0 ▽ = 0 ▽ = 0 ▽ = 0 ▽ = 0 ▽ = 0 ▽ = 0 ▽ = 0 ▽ = 0 ▽ = 0	THIS DRAWING CONTAINS INFORMATION THAT IS PROPRIETARY TO MOLEX ELECTRONIC TECHNOLOGIES, LLC AND SHOULD NOT BE USED WITHOUT WRITTEN PERMISSION		DIMENSION UNITS: INCH NTS SCALE: NTS		CURRENT REV DESC: REVISED	
	GENERAL TOLERANCES (UNLESS SPECIFIED)		EC NO: 176866 DRWN: APRAKASH01 2018/05/17 CHK'D: APRAKASH01 2018/05/24 APPR: AROBERTSON 2018/05/24		<p>N JACK, STRAIGHT IP68 50 OHM N-JC, EWR-10484</p>	
	4 PLACES ± 3 PLACES ± ± 0.005 2 PLACES ± 0.13 ± 0.01 1 PLACE ± 0.25 ±		INITIAL REVISION: DRWN: BSHAH 2017/02/08 APPR: AROBERTSON 2017/02/09			
	ANGULAR TOL ± 2.0°		THIRD ANGLE PROJECTION		DRAWING: C-SIZE SERIES: 73276	
DRAFT WHERE APPLICABLE MUST REMAIN WITHIN DIMENSIONS		MATERIAL NUMBER: 732762780		CUSTOMER:		

DOCUMENT NUMBER	DOC TYPE	DOC PART	REVISION
732762780	PSD	000	B3

DOCUMENT STATUS	P1	RELEASE DATE	2018/05/24 13:40:58
-----------------	----	--------------	---------------------