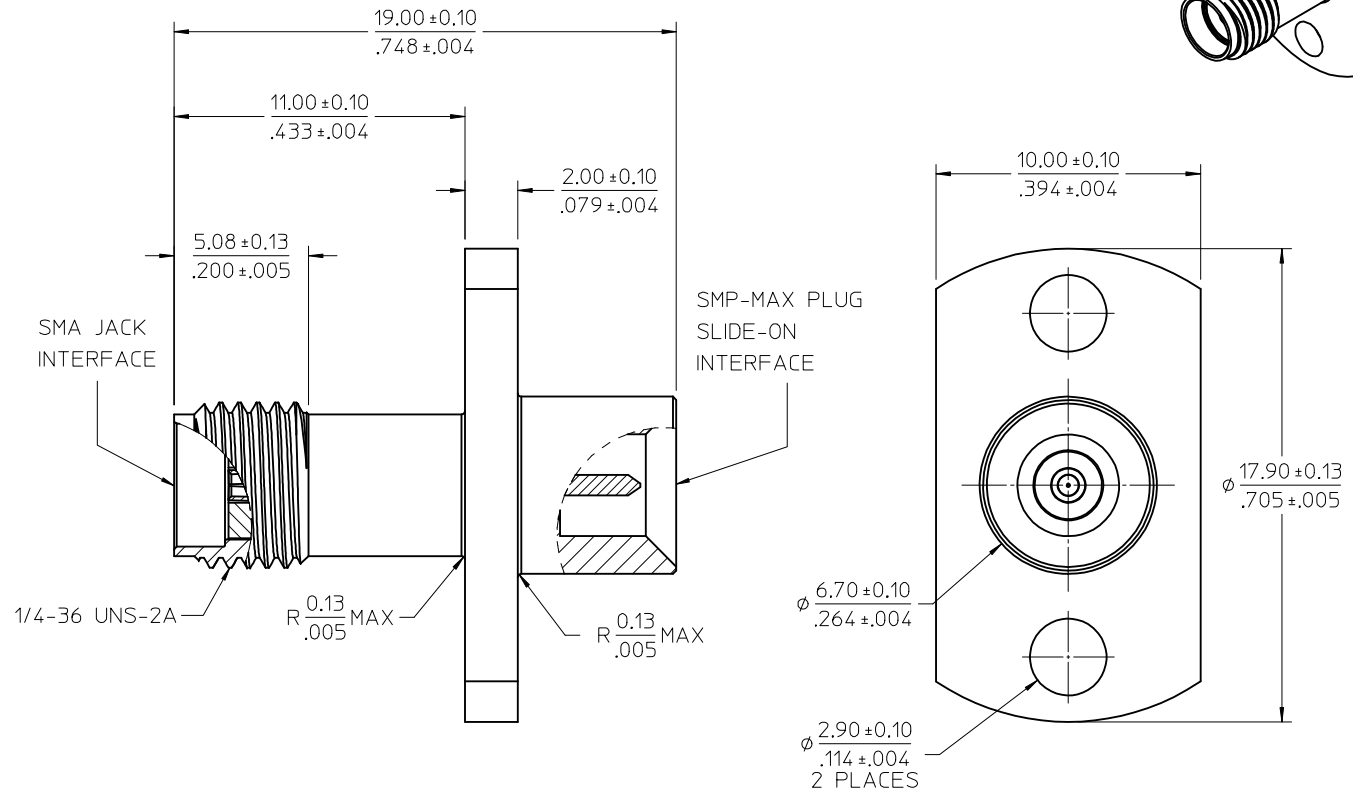
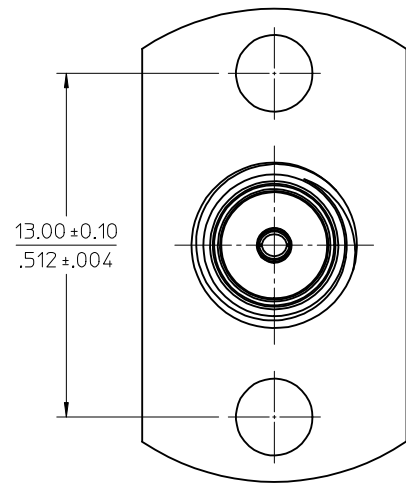
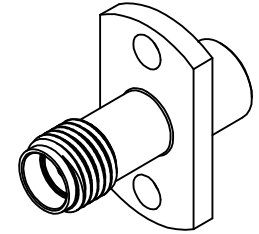


MATERIALS AND FINISHES

BODY: BRASS  
PLATED GOLD

CENTER CONTACT: BERYLLIUM COPPER  
PLATED GOLD

INSULATORS: TEFLON

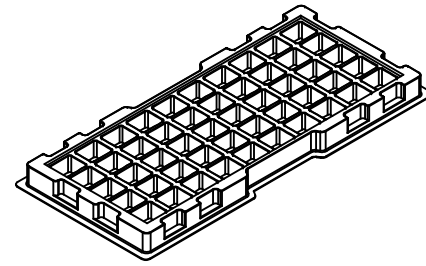


73386-5280	TRAY
PART NO.	PACKAGING

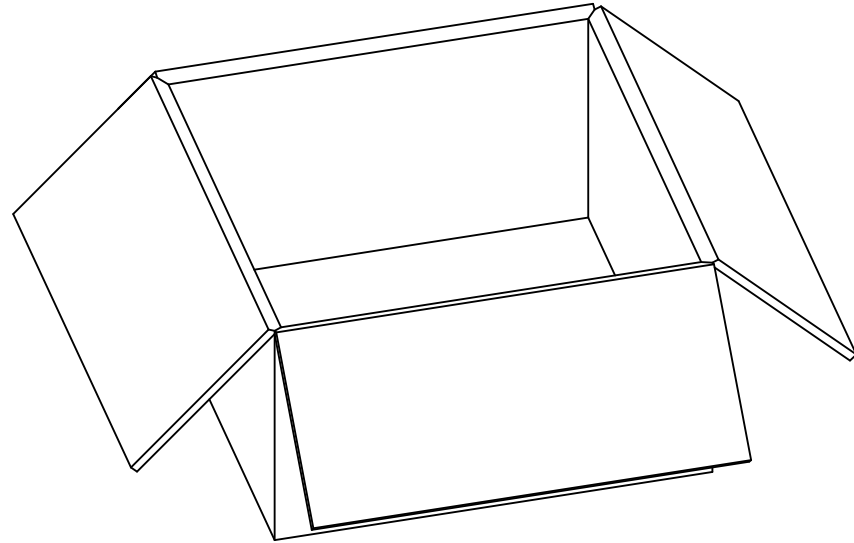
CHG:ADD PACKING SHEET PER RF15-E145 EC NO: URF2015-0480 DRW:RYEH 2015/03/03 CHKD: APPR:YCHENG 2015/03/25	QUALITY SYMBOLS ▽=0 ▽=0 ▽=0	GENERAL TOLERANCES (UNLESS SPECIFIED) mm INCH 4 PLACES ± --- ± --- 3 PLACES ± --- ± --- 2 PLACES ± --- ± --- 1 PLACE ± --- ± --- 0 PLACE ± --- ± ---	DIMENSION STYLE MM/IN DRAWN BY DATE RYEH 2014/12/31 CHECKED BY DATE KERRIE 2014/12/31 APPROVED BY DATE YCHENG 2015/01/22	SCALE 7:1 DESIGN UNITS METRIC THIRD ANGLE PROJECTION	TITLE BSA SMA J TO SMP-MAX P SLIDE-ON 2H FLANGE BSA-SMAJ/SMPMAXP <b>molex</b>	MATERIAL NO. SEE TABLE DOCUMENT NO. SD-73386-5280 SHEET NO. 1 OF 2	
	DRAFT WHERE APPLICABLE MUST REMAIN WITHIN DIMENSIONS	ANGULAR ± 2 °	SIZE C	THIS DRAWING CONTAINS INFORMATION THAT IS PROPRIETARY TO MOLEX INCORPORATED AND SHOULD NOT BE USED WITHOUT WRITTEN PERMISSION			
	A1	REV					



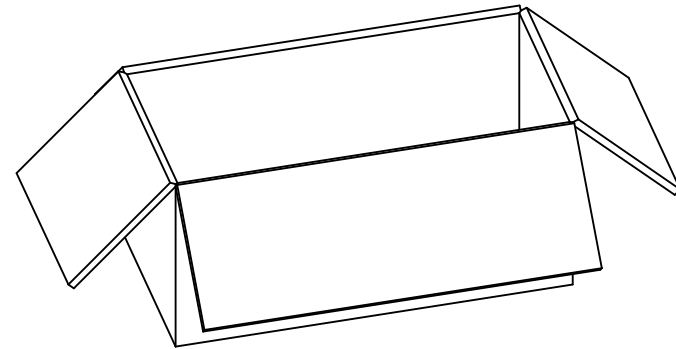
P/N: 73386-5280



50 SETS PER TRAY  
P/N: 89707-0343



1000 SETS PER OUTER  
CARTON BOX  
P/N: 96708-0005



500 SETS PER INNER  
CARTON BOX  
P/N: 96707-0001

CHG:SEE SHEET 1	DESCRIPTION
EC NO: URF2015-0480	2015/03/25
DRW:RYEH	
CHKD:	
APPR:YCHENG	
REV	
A1	

QUALITY SYMBOLS
= 0
= 0
= 0
= 0
= 0

GENERAL TOLERANCES (UNLESS SPECIFIED)		
	mm	INCH
4 PLACES	± ---	± ---
3 PLACES	± ---	± ---
2 PLACES	± ---	± ---
1 PLACE	± ---	± ---
0 PLACE	± ---	± ---
ANGULAR ± 2 °		
DRAFT WHERE APPLICABLE MUST REMAIN WITHIN DIMENSIONS		

DIMENSION STYLE	
MM/IN	
DRAWN BY	DATE
RYEH	2014/12/31
CHECKED BY	DATE
KERRIE	2014/12/31
APPROVED BY	DATE
YCHENG	2015/01/22
MATERIAL NO.	
SEE TABLE	

SCALE	DESIGN UNITS	THIRD ANGLE PROJECTION
1.5:1	METRIC	
TITLE		
BSA SMA J TO SMP-MAX P SLIDE-ON 2H FLANGE BSA-SMAJ/SMPMAXP		
<b>molex</b>		
DOCUMENT NO.	SHEET NO.	
SD-73386-528	2 OF 2	
THIS DRAWING CONTAINS INFORMATION THAT IS PROPRIETARY TO MOLEX INCORPORATED AND SHOULD NOT BE USED WITHOUT WRITTEN PERMISSION		