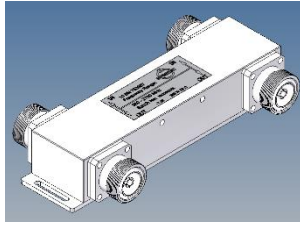
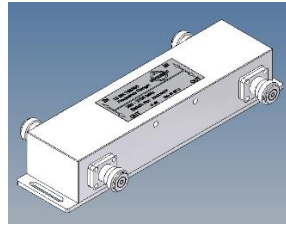


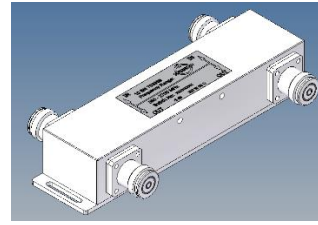
3 dB Coupler (X-Style)



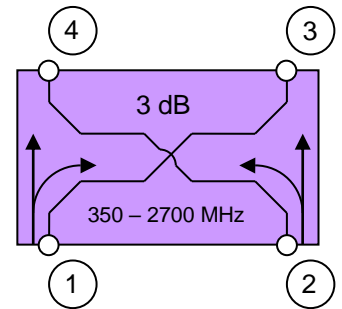
BN 753357



BN 753358



BN 753359

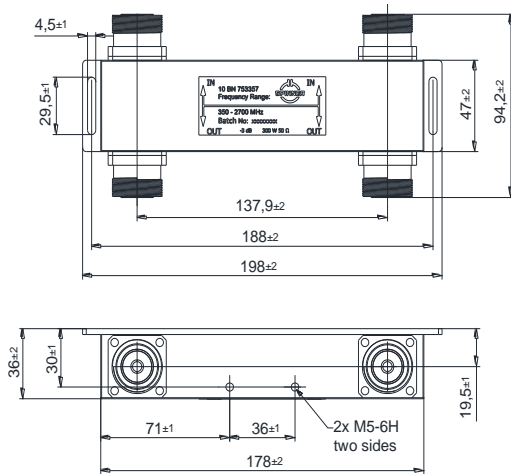


Block Diagram

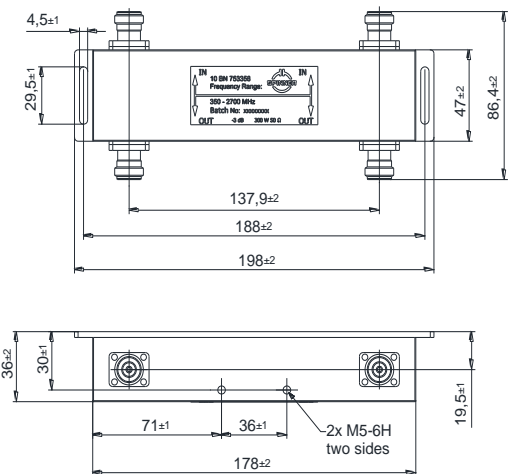
Part number	BN 753357	BN 753358	BN 753359
Connectors	7-16 socket (50 Ohms)	N socket (50 Ohms)	4.3-10 socket (50 Ohms)
Frequency range	350 - 2700 MHz		
Insertion loss	≤ 3.9 dB		
Isolation	≥ 23 dB (typical ≥ 25 dB)		
VSWR	≤ 1.25		
Power rating	300 W (CW) Max. Per port		
IM – value 3rd order at 2 x 20 W	≤ -155 dBc		
Degree of protection	IP 65 (outdoor)		
Environmental conditions	ETSI EN 300019-1-1 Class 1.2 ETSI EN 300019-1-2 Class 2.3 ETSI EN 300019-1-4 Class 4.1E		
Weight	0.92 kg	0.66 kg	0.75 kg
Wall / Mast mounting	Part of delivery		
Temperature range	-40 – +80 °C		

Dimensions:

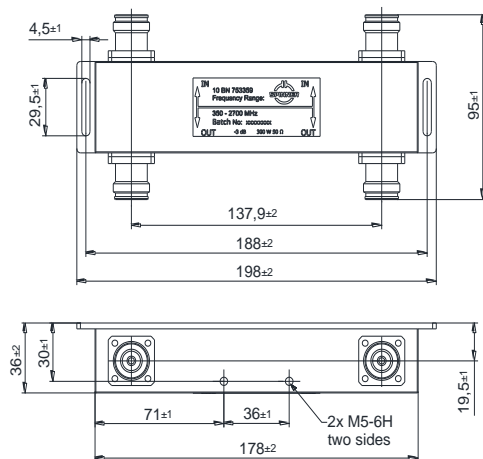
BN 753357



BN 753358



BN 753359



Standard:

- 7-16 female (50 ohms): CECC 22190, IEC 61169-4
- N female (50 ohms): CECC 22210, IEC 61169-16
- 4.3-10 female (50 ohms): IEC 61169-54

modifications reserved

Measurements:

