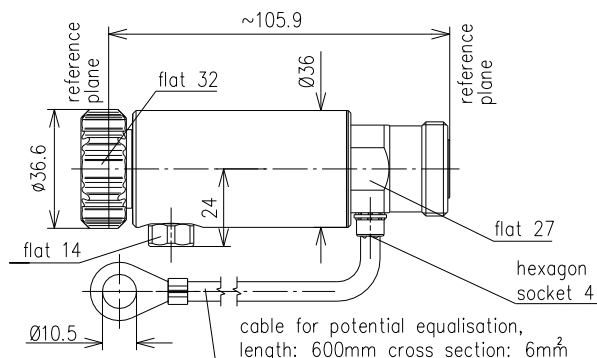


SURGE PROTECTOR WITH QUARTER WAVELENGTH LINE AND GAS DISCHARGE ARRESTOR



| | | | | | |
|-----------------------------|---|---------------|--|-----------------|-----------------|
| Part number | BN 75 64 68 | | | | |
| Connector type | 7-16 plug / 7-16 socket | | | | |
| Impedance | 50 Ω | | | | |
| Frequency range | 698 – 800 MHz | 800 – 850 MHz | 850 – 2450 MHz | 2450 – 2500 MHz | 2500 – 2700 MHz |
| VSWR | ≤ 1.50 | ≤ 1.14 | ≤ 1.11 | ≤ 1.14 | ≤ 1.50 |
| Insertion loss | ≤ 0.4 dB | ≤ 0.1 dB | | | ≤ 0.4 dB |
| Intermodulation (IM3) 2x20W | ≤ -165 dBc | | | | |
| RF power rating | 3.2 kW | | 1.6 kW | | |
| | 698 MHz | | 2700 MHz | | |
| Static sparkover voltage | 90 V ±20 V | | | | |
| Allowed surge current | 25 kA single | | 20 kA multiple (test pulse 8/20 μs) | | |
| Residual pulse energy | < 350 μJ (test pulse 4 kV 1.2/50 μs and 2 kA 8/20 μs) | | | | |
| AISG | | | | | |
| Frequency range | 0 - 10 MHz | | | | |
| VSWR | ≤ 1.11 | | | | |
| Insertion loss | ≤ 0.1 dB | | | | |
| DC pass | | | | | |
| DC voltage | 60 V max. | | | | |
| DC current | 10 A max. | | | | |
| Material and surface | | | | | |
| Inner conductor | copper alloy | | silver-plated | | |
| Outer conductor | copper alloy | | silver-plated | | |
| Other metal parts | copper alloy copper alloy copper alloy | | silver-plated bright nickel-plated CuSnZn-plated | | |
| Insulation | PTFE | | | | |
| Sealing | silicone rubber | | | | |
| Degree of protection | IP67 (mated) | | | | |
| Standards | IEC 61169-4 | | | | |
| Operating temperature | -40 °C - +85 °C | | | | |
| Weight | approx. 0.52 kg | | | | |