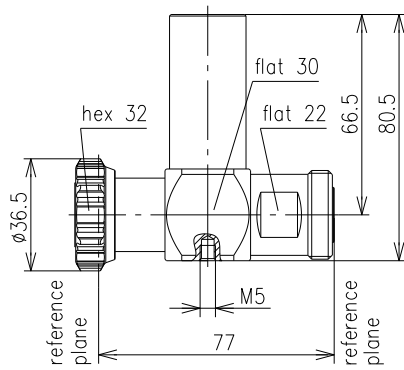


Type 7-16 Plug / Socket Surge Protector with Quarter Wavelength Stub || BN 766419



all dimensions in millimeter

Interface type	7-16 plug/socket (50 Ω) per IEC 61169-4
VSWR, max.	1.20 @ 380 to 430 MHz 1.22 @ 380 to 512 MHz
Frequency range	380 to 512 MHz
Insertion loss, max.	0.1 dB
Average power capability, max.	3 kW
Allowed surge current	50 kA multiple (test pulse 8/20 μs)
Residual pulse energy	20 μJ (test pulse 4 kV 1.2/50 μs and 2 kA 8/20 μs)
Inner conductor material / surface finish	copper alloy / silver plated
Outer conductor material / surface finish	copper alloy / silver plated
Other metal parts / surface finish	copper alloy / bright nickel plated
Insulation	PTFE
Sealing	silicone rubber
IP protection level	IP67 per EN 60529 (in mated condition)
Weight, approx.	430 g
Operating temperature range	-45 to +75 °C