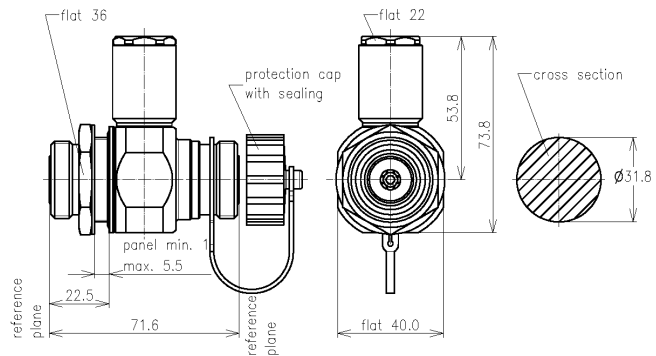


Surge Protector with Quarter Wavelength Line, Type 7-16 || BN 766471



all dimensions in millimeter

Surge Protectors

Radio frequency characteristics

Interface type	7-16 socket (50 Ω) per IEC 61169-4 7-16 socket (50 Ω) per IEC 61169-4
Version	bulkhead mounting (potential equalisation)
Frequency range	678 to 2700 MHz
VSWR, max. / typ.	1.25 @ 678 to 698 MHz 1.20 @ 698 to 725 MHz 1.15 @ 725 to 2675 MHz 1.20 @ 2675 to 2700 MHz
Insertion loss, max.	0.1 dB
Intermodulation (IM3) @ 2x 20W, max.	-160 dBc
Average power rating, max.	2.7 kW @ 678 MHz 1.3 kW @ 2700 MHz
Static sparkover voltage	90 V \pm 20 V
Allowed surge current	30 kA single 20 kA multiple (test pulse 8/20 μ s)
Residual pulse energy	350 μ J (test pulse 4 kV 1.2/50 μ s and 2 kA 8/20 μ s)

AISG

VSWR, max.	1.11 @ DC to 10 MHz
Frequency range	DC to 10 MHz
Insertion loss, max.	0.15 dB

DC pass

DC voltage, max.	60 V
DC current, max.	10 A

Mechanical characteristics

Inner conductor material / surface finish	copper alloy / silver plated
Outer conductor material / surface finish	copper alloy / CuSnZn plated
Other metal parts / surface finish	copper alloy / CuSnZn plated

SPINNER GmbH | This document is proprietary to us. All rights reserved. Any use, transfer, or reproduction of this document or the know-how contained therein requires our express consent.

Template TD-00003F

Surge Protector with Quarter Wavelength Line, Type 7-16 || BN 766471

Insulation	PTFE
Sealing	silicone rubber, EPDM
IP protection level	IP67 per EN 60529 (interface connected with appropriate gasket)
Weight, approx.	400 g

Environmental conditions

Operating temperature range	-40 to +85 °C
-----------------------------	---------------

Scope of delivery	panel sealing, installation and grounding instructions
--------------------------	--

SPINNER GmbH | This document is proprietary to us. All rights reserved. Any use, transfer, or reproduction of this document or the know-how contained therein requires our express consent.

Template TD-00003F