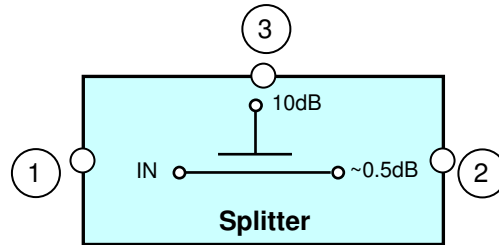


Coaxial 2-Way-Splitter



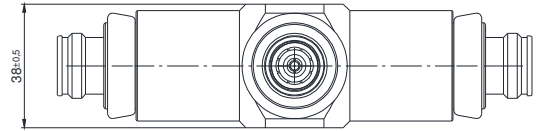
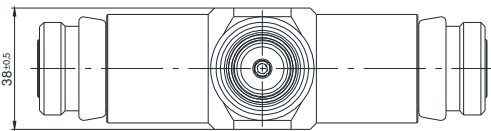
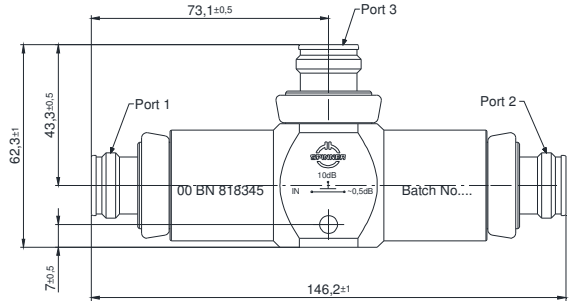
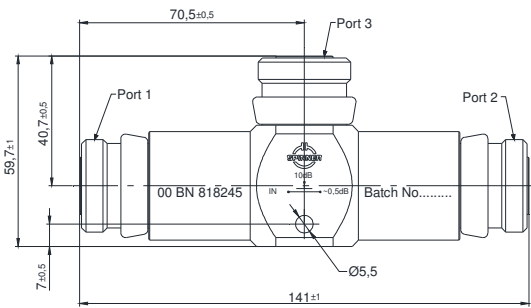
not binding



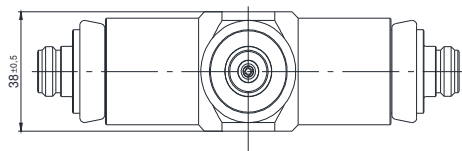
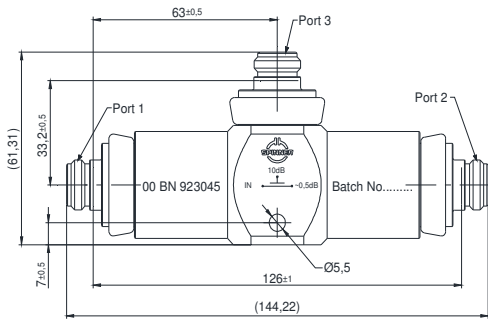
block diagram

Part number	BN 818245	BN 818345	BN 923045
Connectors	7-16 socket (50 Ohms)	4.3-10 socket (50 Ohms)	N socket (50 Ohms)
Splitting ratio	1 : 0.1 : 0.9		
Frequency range	Range 1	170 – 380 MHz	
	Range 2	380 – 1500 MHz	
	Range 3	1710 – 2700 MHz	
Insertion loss	~ 0.5 dB (Main line)		
Coupling	10 dB -1/+1.5 dB		
VSWR	≤ 1.2 (Port 1, 2)		
Power rating	500 W CW (5 kW peak / 20µs)		250 W CW (5 kW peak / 20µs)
IM – value 3rd order @ 2 x 20 W	≤ -155 dBc typical: ≤ -160dBc	≤ -160 dBc typical: ≤ -165dBc	≤ -150 dBc typical: ≤ -155dBc
Degree of protection	IP 68		
Environmental conditions	ETSI EN 300019-1-1 Class 1.2 ETSI EN 300019-1-2 Class 2.3 ETSI EN 300019-1-4 Class 4.1E		
Weight	0.55 kg		
Wall / Mast mounting	to be ordered separately under BN B09499		
Temperature range	-40 °C – +70°C		

Dimensions:

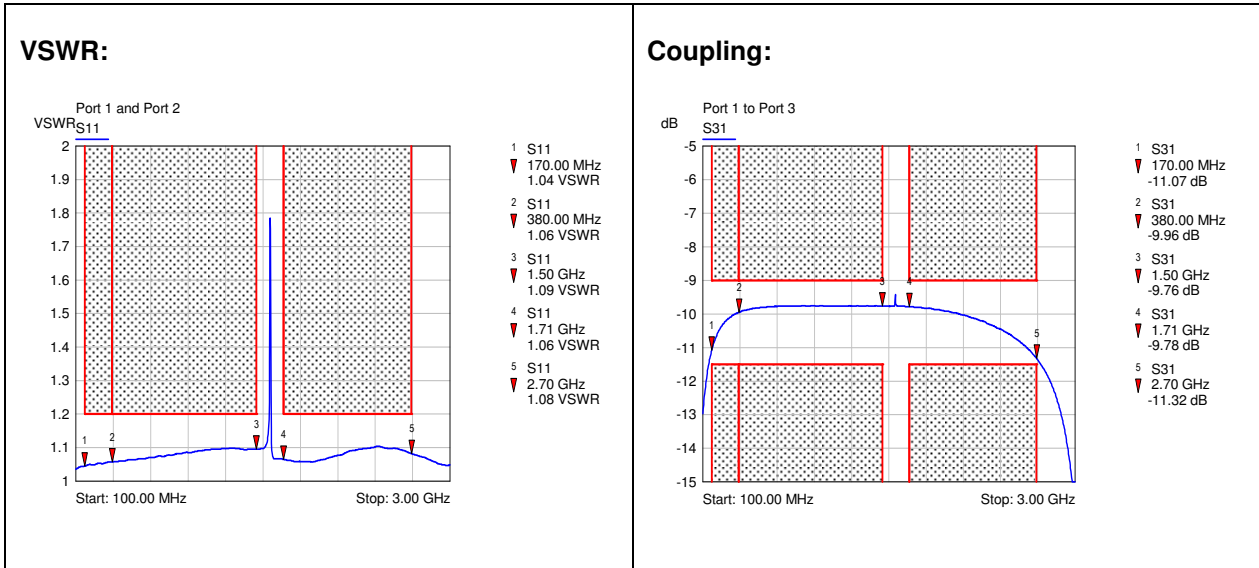


modifications reserved



modifications reserved

Measurement:



Signal splitting ratios (approximate values, for information only):

