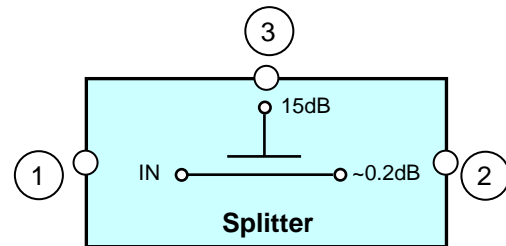


Coaxial 2-Way-Splitter



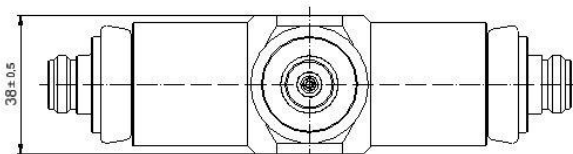
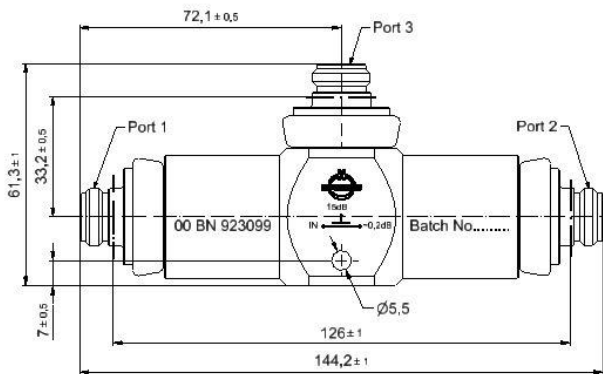
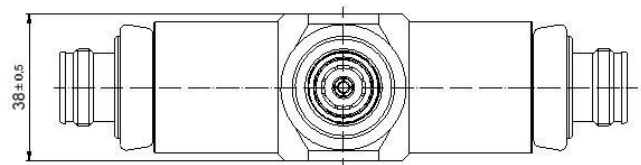
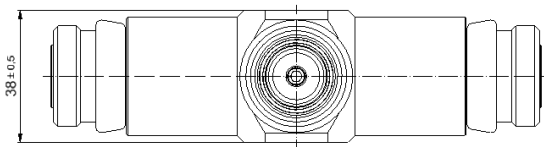
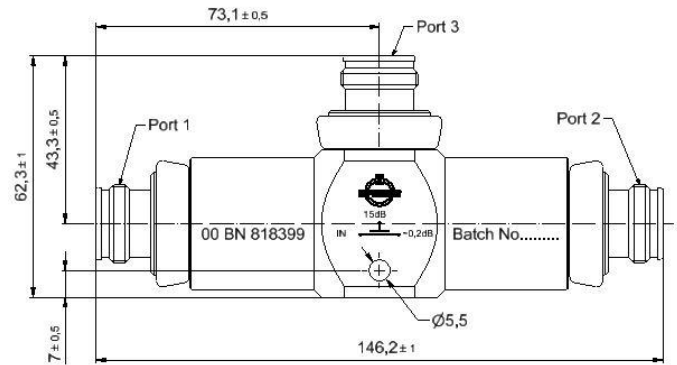
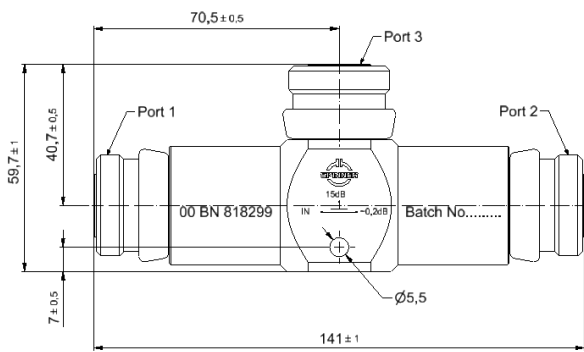
not binding



block diagram

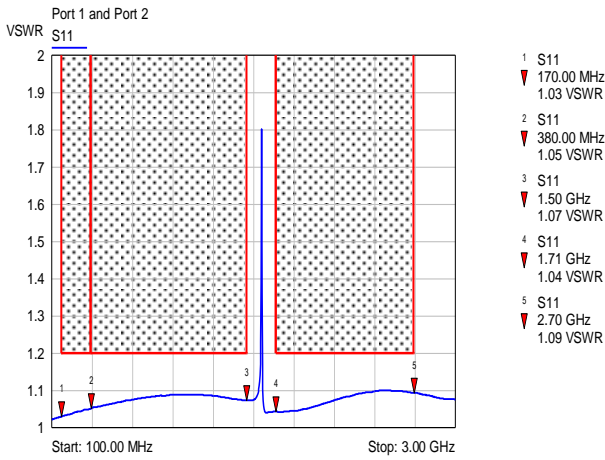
Part number	BN 818299		BN 818399	BN 923099
Connectors	7-16 socket (50 Ohms)		4.3-10 socket (50 Ohms)	N socket (50 Ohms)
Splitting ratio	1 : 0.03 : 0.97			
Frequency range	Range 1	170 – 380 MHz		
	Range 2	380 – 1500 MHz		
	Range 3	1710 – 2700 MHz		
Insertion loss	~ 0.2 dB (Main line)			
Coupling	15 dB -1/+2.5 dB			
VSWR	≤ 1.2 (Port 1, 2)			
Power rating	500 W CW (5 kW peak / 20µs)			250 W CW (5 kW peak / 20µs)
IM – value	≤ -155 dBc	≤ -160 dBc	≤ -150 dBc	
3rd order @ 2 x 20 W	typical: ≤ -160dBc	typical: ≤ -165dBc	typical: ≤ -155dBc	
Degree of protection	IP 68			
Environmental conditions	ETSI EN 300019-1-1 Class 1.2 ETSI EN 300019-1-2 Class 2.3 ETSI EN 300019-1-4 Class 4.1E			
Weight	0.55 kg			
Wall / Mast mounting	to be ordered separately under BN B09499			
Temperature range	-40 °C – +70°C			

Dimensions:

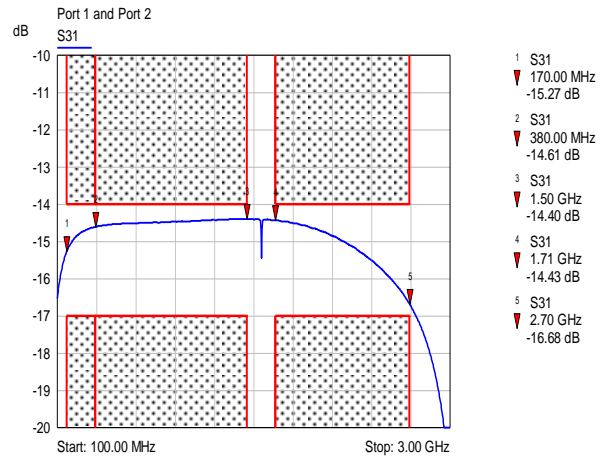


Measurement:

VSWR:



Coupling:



Signal splitting ratios (approximate values, for information only):

