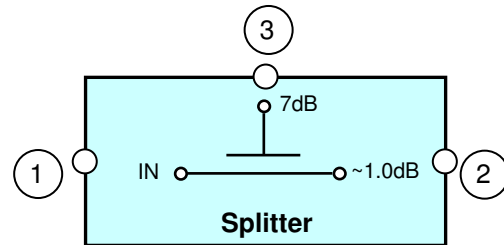


### Coaxial 2-Way-Splitter



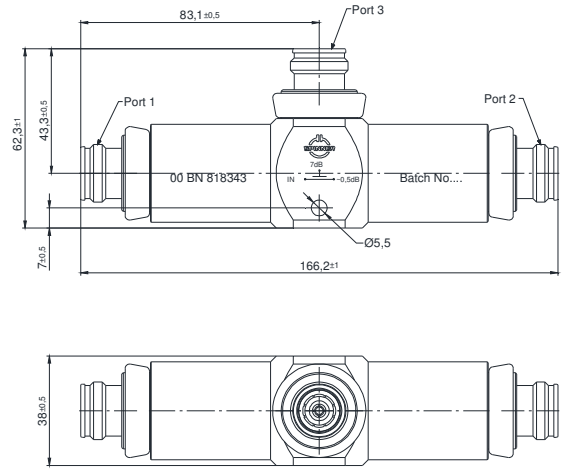
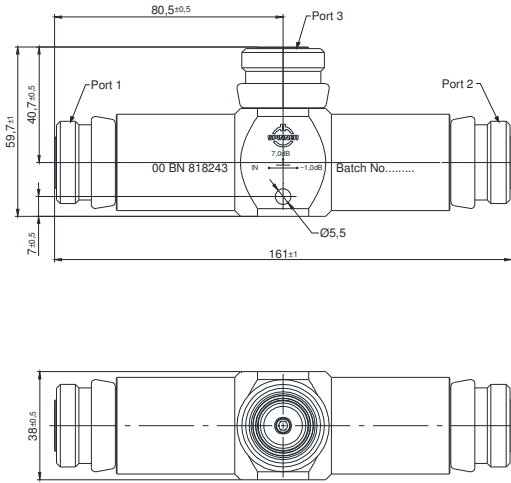
not binding



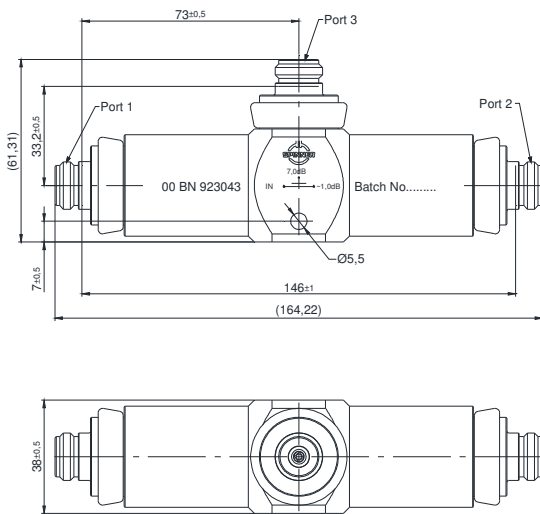
block diagram

Part number	BN 818243	BN 818343	BN 923043
Connectors	7-16 socket (50 Ohms)	4.3-10 socket (50 Ohms)	N socket (50 Ohms)
Splitting ratio	1 : 0.2 : 0.8		
Frequency range	Range 1 Range 2 Range 3	170 – 380 MHz 380 – 1500 MHz 1710 – 2700 MHz	
Insertion loss	~ 1.0 dB (Main line)		
Coupling	Range 1 Range 2 Range 3	7 dB ± 2 dB 7 dB ± 1 dB 7 dB ± 1 dB	
VSWR	≤ 1.35 (Port 1, 2)		
Power rating	500 W CW (5 kW peak / 20µs)		250 W CW (5 kW peak / 20µs)
IM – value 3rd order @ 2 x 20 W	≤ -155 dBc   typical: ≤ -160dBc	≤ -160 dBc   typical: ≤ -165dBc	≤ -150 dBc   typical: ≤ -155dBc
Degree of protection	IP 68		
Environmental conditions	ETSI EN 300019-1-1 Class 1.2 ETSI EN 300019-1-2 Class 2.3 ETSI EN 300019-1-4 Class 4.1E		
Weight	0.55 kg		
Wall / Mast mounting	to be ordered separately under BN B09499		
Temperature range	-40 °C – +70°C		

**Dimensions:**

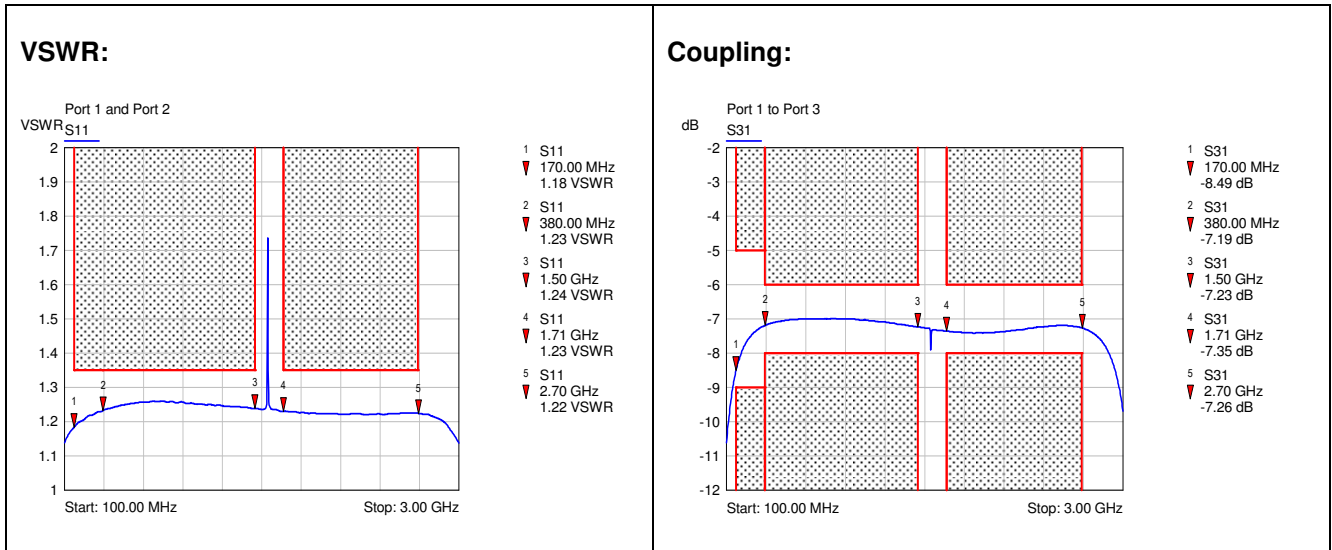


modifications reserved



modifications reserved

**Measurements:**



Signal splitting ratios (approximate values, for information only):

