

### 83118 Standard 831180 Part number 83118007



- Reduced actuation force
- Very short differential travel
- Choice of actuators

#### Part numbers

	Type	Function	Connections
83118007	Standard 831180	I (changeover)	W1

#### Specifications

##### Electrical characteristics

Rating nominal / 250 VAC (A)	5
Rating thermal / 250 VAC (A)	17,5

##### Mechanical characteristics

Maximum operating force (N)	2,7
Min. Release force (N)	0,75
Operating position (mm)	16 <sup>±0,3</sup>
Min. overtravel (mm)	0,2
Mechanical life (operations)	5x10 <sup>6</sup>
Maximum total travel force (N)	4
Max. permitted overtravel force (N)	30
Maximum rest position (mm)	16,7
Differential travel (mm)	0,03 →0,09
Ambient operating temperature (°C)	- 40 →+125
Contact gap (mm)	0,5
Weight (g)	21

#### Additional specifications

##### Components

##### Material

- Case : thermoset UL94V0
- Contacts : pure silver

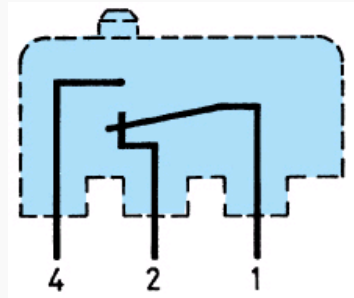
##### Levers

- Flexible stainless steel

##### Other levers

- Passivated mild steel (zinc), self-retaining screws

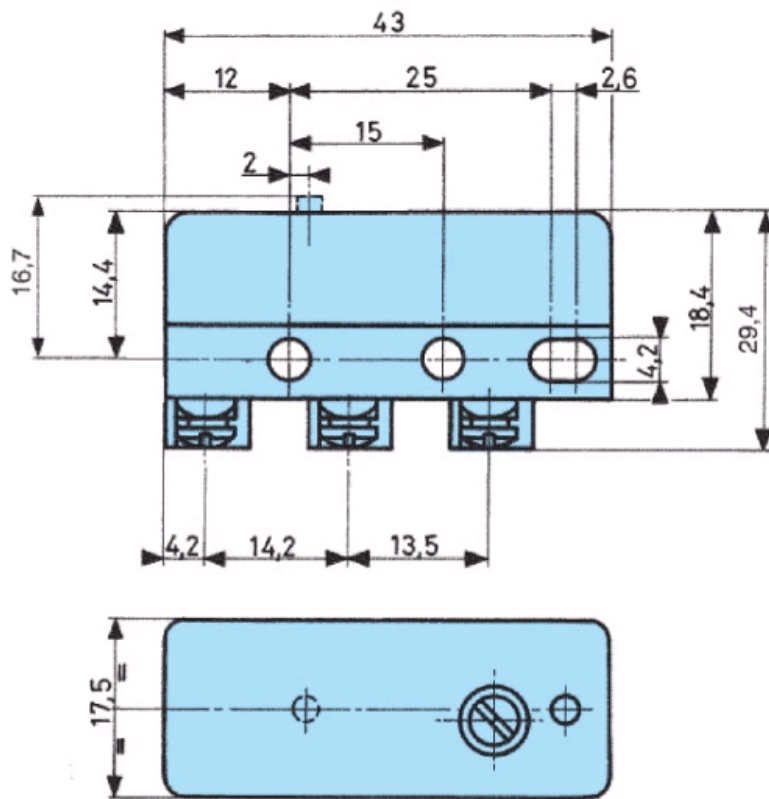
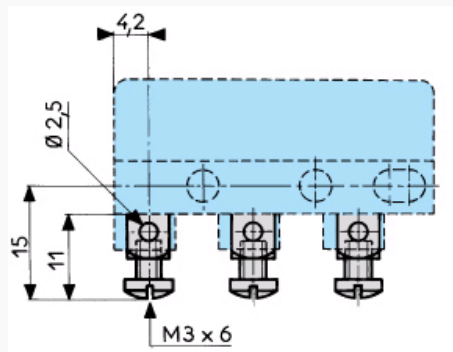
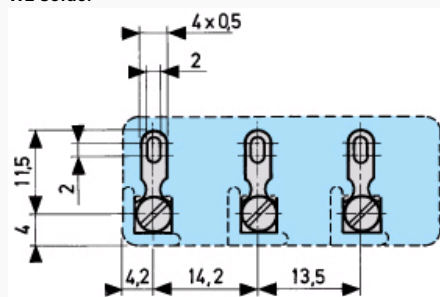
#### Principles

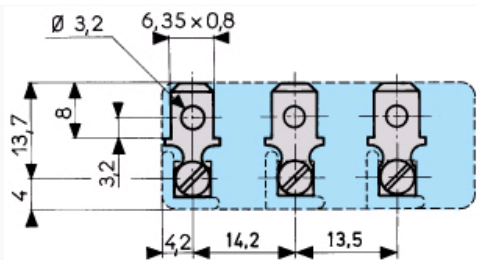


#### Dimensions (mm)

##### Product

831180 / 83118 S1

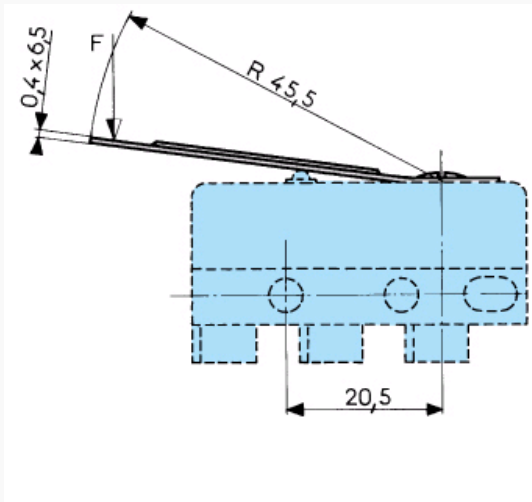
**Dimensions (mm)****Connections****W1 screw****Dimensions (mm)****Connections****W2 solder****Dimensions (mm)****Connections****W3 for 6.35 mm clips**



#### Dimensions (mm)

#### Actuators

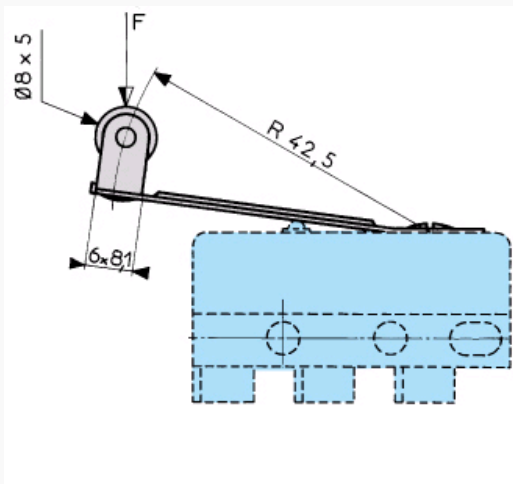
52A



#### Dimensions (mm)

#### Actuators

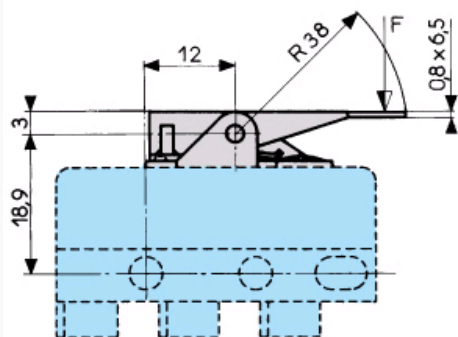
52B



#### Dimensions (mm)

#### Actuators

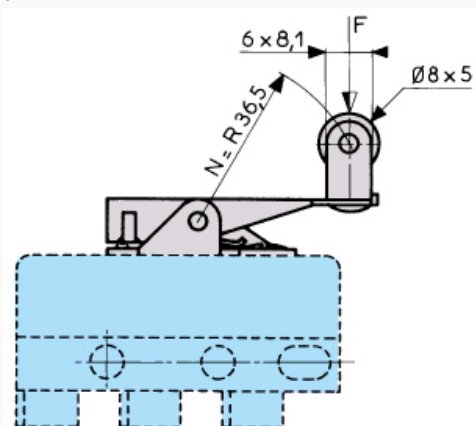
52M



#### Dimensions (mm)

#### Actuators

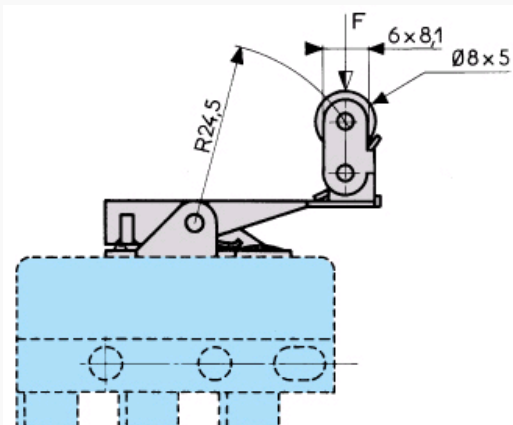
52N



#### Dimensions (mm)

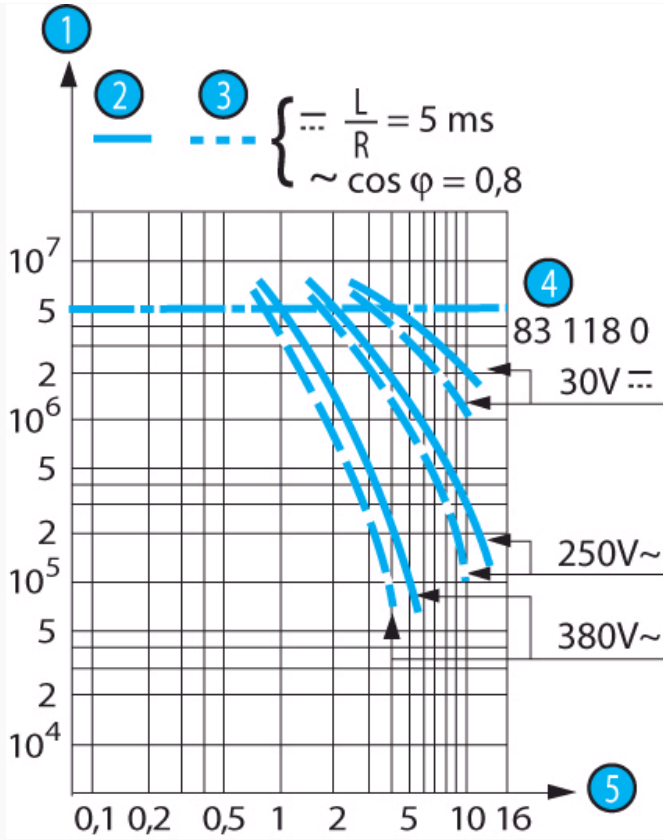
#### Actuators

52V



#### Curves

Operating curve for types 831180 - 83118 S1



N°	Legend
1	Number of cycles
2	Resistive circuit
3	Inductive circuit
4	Mechanical life limit
5	Current in Amps

**Connections**

**Actuators and fixing positions**

Part numbers for actuators						
Flexible direct-acting actuators: S2A - S2B	S2A R45.5	S2B R42.5	S2M R38	S2N R36.5	S2V R24.5	70 520 029
Hinged reverse-action actuators: S2M - S2N - S2V						
	83 118 0	83 118 S1	83 118 0	83 118 S1	83 118 0	83 118 S1
Operating force - max.	N 2.5	N 1.4	N 0.85	N 1.5	N 1.4	N 2.5
Release force - min.	N 0.8	N 0.55	N 0.27	N 0.4	N 0.4	N 0.6
Pre-travel - max.	mm 4.5		mm 2		mm 1.5	
Differential travel	mm 0.45 <sup>UL</sup>		mm 0.3 <sup>UL</sup>		mm 0.16 <sup>UL</sup>	
Total travel max.	mm 7		mm 10		mm 5	

**Other information**

**Mounting - Operation**

See basic technical concepts

**Product adaptations**



- Special levers
- Special connections, temperatures
- Approvals : UL - cUL

# Mouser Electronics

Authorized Distributor

Click to View Pricing, Inventory, Delivery & Lifecycle Information:

[Crouzet:](#)

[83118007](#)