

## Surge Protector 7-16 female-female for Gas Discharge Arrestor <sup>1)</sup>

### Connectors:

Port 1	7-16 socket (50Ω)
Port 2	7-16 socket bulkhead (50Ω)

**Frequency range:** 0 to 1000 MHz / >1000 to 2500 MHz

**VSWR <sup>2)</sup>:** ≤ 1.06 / ≤ 1.20

**Applicable arrestors:** static sparkover voltage  
90 / 230 / 600 / 1000V  
others on request

**Insertion loss:** ≤ 0.1 dB

### Materials and surfaces:

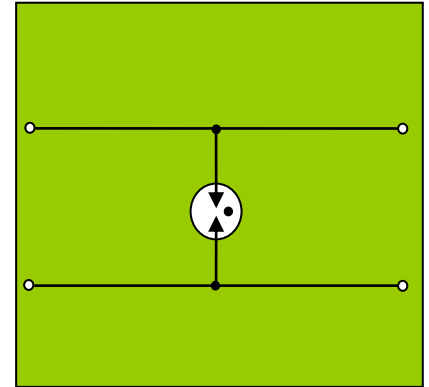
Inner conductor	brass / silver plated
Outer conductor	brass / silver plated
Other metal parts	brass / bright nickel plated
Insulation	PTFE
Sealing	silicone rubber

**Degree of protection:** IP 67 (in mated condition)

**Operating temperature:** -40 °C to +85 °C

**Weight:** approx. 280 g

**Standards:** CECC 22190; IEC 169-4



Block diagram  
with arrestor  
inserted

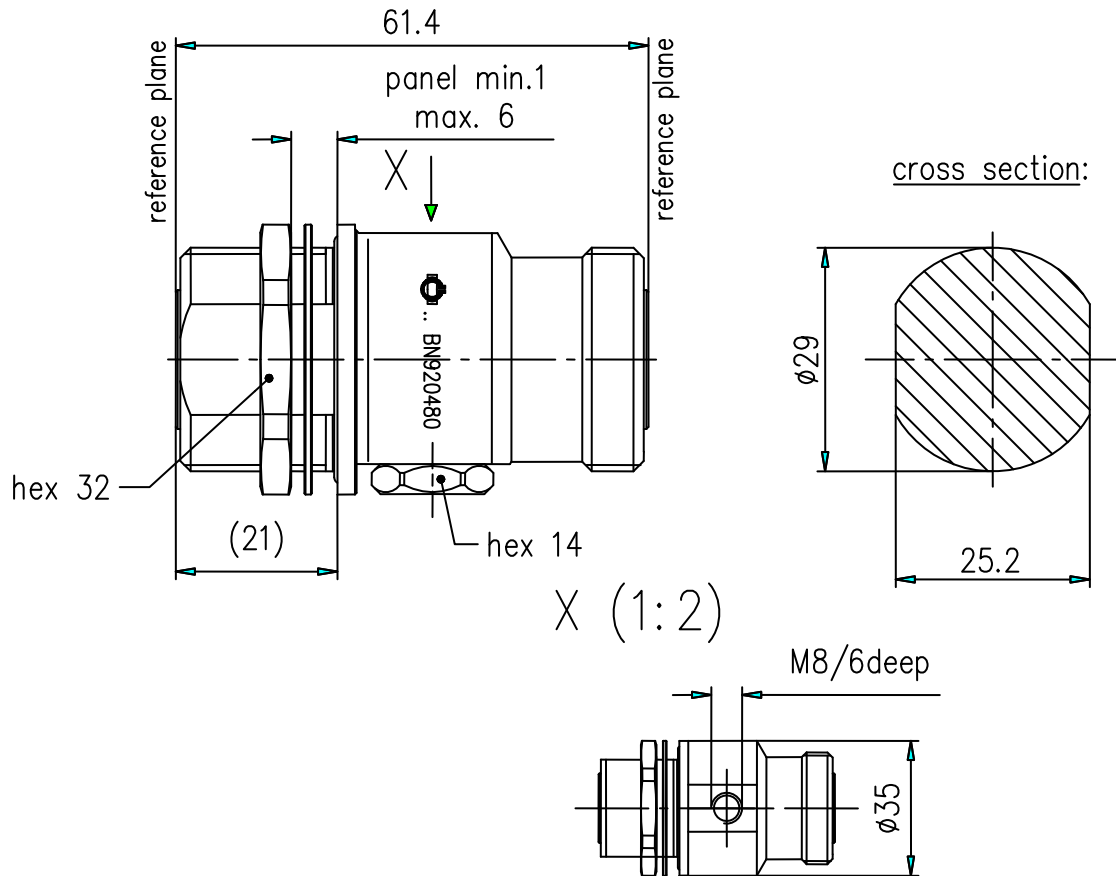
1) Delivered without arrestor

2) Valid only with inserted arrestors indicated by SPINNER

### Appendix:

Dimensions

Dimensions:



(dimensions in mm)

modifications reserved