

**Surge Protector N male/female
for Gas Discharge Arrestor ¹⁾**

Connectors:

Port 1 N plug (50Ω)
Port 2 N socket bulkhead (50Ω)

Frequency range:

0 to 1000 MHz / >1000 to 2500 MHz

VSWR ²⁾:

≤ 1.06 / ≤ 1.20

Applicable arrestors:

static sparkover voltage
90 / 230 / 600 / 1000 V
others on request

Insertion loss:

≤ 0.1 dB

Materials and surfaces:

Inner conductor brass / silver plated
Outer conductor brass / silver plated
Other metal parts brass / bright nickel plated
Insulation PTFE
Sealing silicone rubber

Degree of protection:

IP 67 (in mated condition)

Operating temperature:

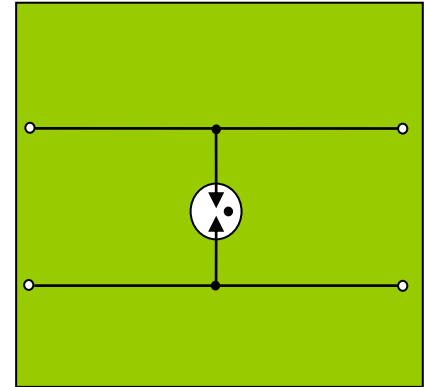
-40°C to +85 °C

Weight:

approx. 160 g

Standards:

CECC 22210; IEC 169-16



Block diagram
with arrestor
inserted

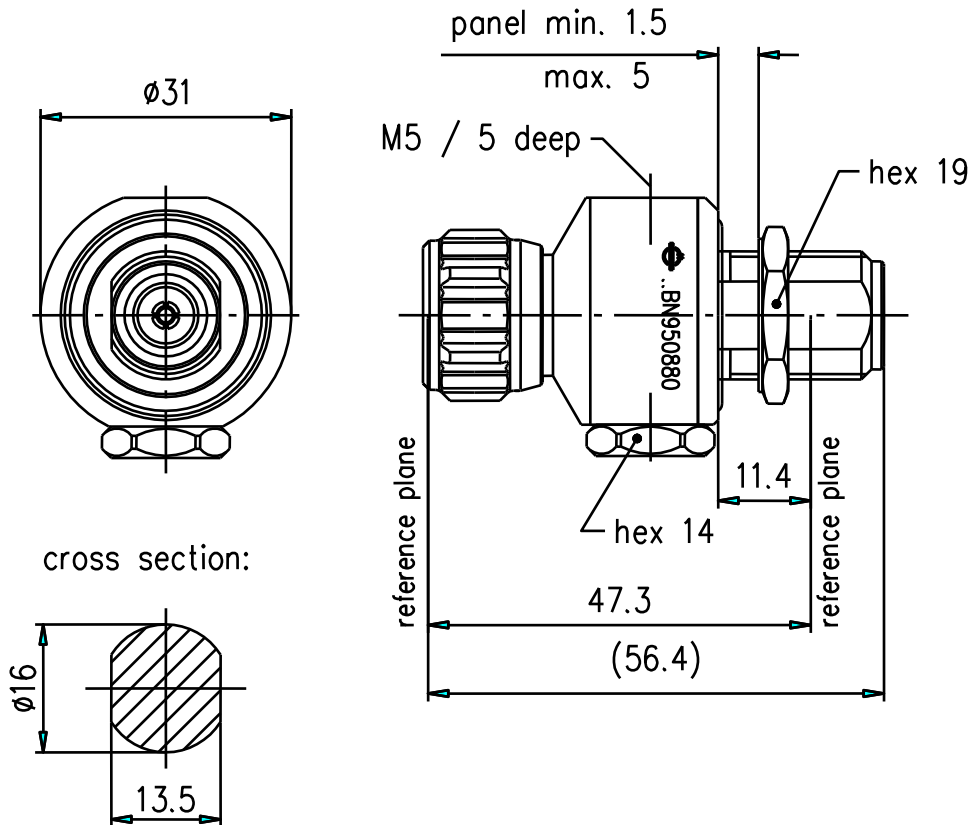
1) Delivered without arrestor

2) Valid only with inserted arrestors indicated by SPINNER

Appendix:

Dimensions

Dimensions:



(dimensions in mm)

modifications reserved