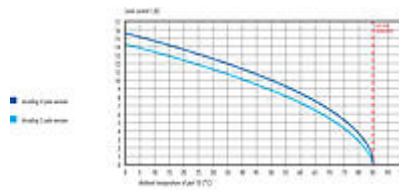


Product description	M12-A female cable connector, Contacts: 5, 8.0 - 10.0 mm, unshielded, screw clamp, IP67, UL, VDE, for the power supply
Area	M12-A series 713
Part no.	99 0436 19 05

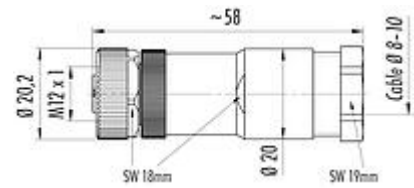
### Illustration



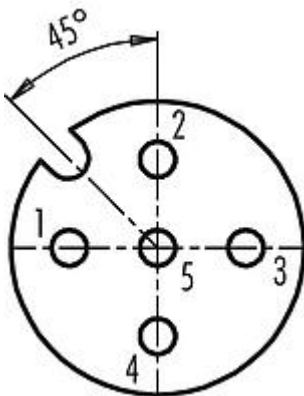
### Derating curve



### Scale drawing



### Contact arrangement (Plug-in side)



You can find the assembly instructions on the next page.

### Technical data

#### General features

Part no.	99 0436 19 05
Connector design	female cable connector
Version	female straight
Connector locking system	screw
Termination	screw clamp
Degree of protection	IP67
Cross-sectional area	max. 1.50 mm <sup>2</sup> / AWG 16
Cable outlet	8.0 - 10.0 mm

Product description	<b>M12-A female cable connector, Contacts: 5, 8.0 - 10.0 mm, unshielded, screw clamp, IP67, UL, VDE, for the power supply</b>
Area	<b>M12-A series 713</b>
Part no.	<b>99 0436 19 05</b>

Temperature range from/to	-40 °C / 85 °C
Mechanical operation	> 100 Mating cycles
Weight (g)	26.77
Customs tariff number	85369010

### Electrical parameters

Rated voltage	60 V
Rated impulse voltage	1500 V
Rated current (40 °C)	contacts 1-4: 8 A / contact 5: 2 A
Insulation resistance	> 10 <sup>8</sup> Ω
Pollution degree	3
Overvoltage category	II
Insulating material group	III
EMC compliance	unshielded

### Material

Housing material	PA
Contact body material	PA
Contact material	CuZn (brass)
Contact plating	Au (gold)
Locking material	Zinc die-cast nickel-plated
REACH SVHC	CAS 7439-92-1 (Lead)
SCIP number	b3fe23a6-7394-4056-8527-ff1fdc780485

### Authorization/approvals

Approvals	UL, VDE
-----------	---------

### Classifications

eCl@ss 11.1	27-44-01-02
ETIM 7.0	EC002635

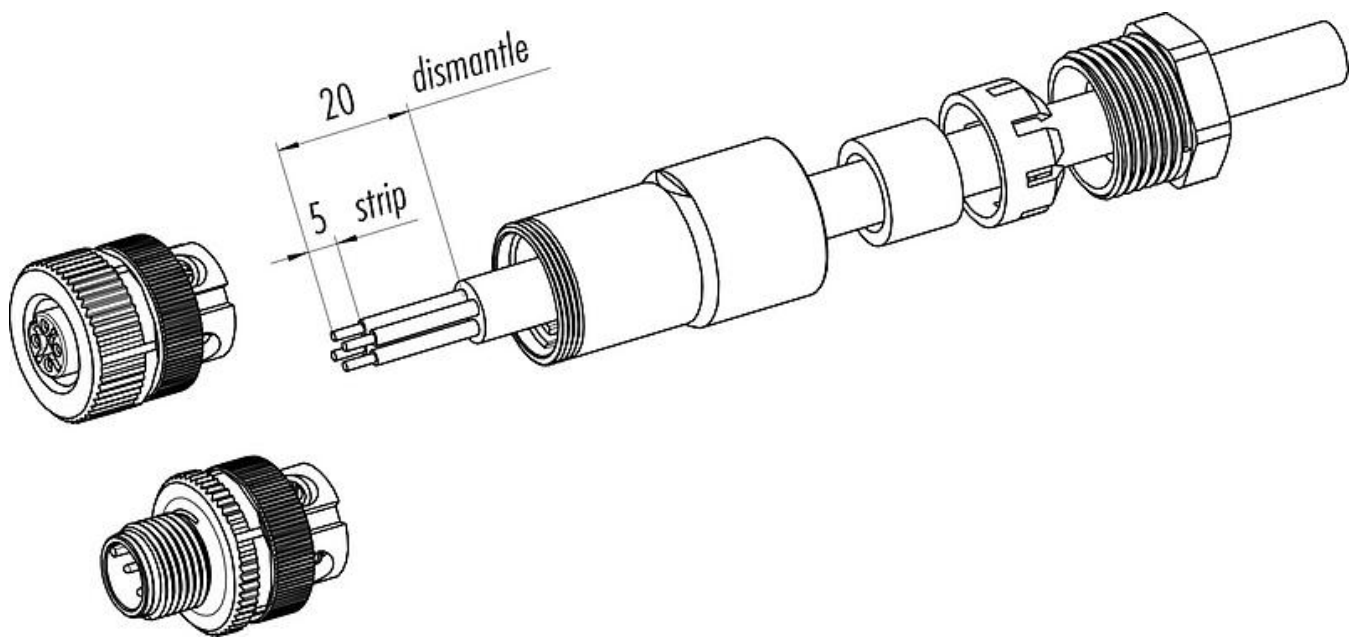
### Declarations of conformity

Low Voltage Directive	2014/35/EU (EN 60204-1:2018;EN 60529:1991)
-----------------------	--

Product description M12-A female cable connector, Contacts: 5, 8.0 - 10.0 mm, unshielded, screw clamp, IP67, UL, VDE, for the power supply

Area M12-A series 713  
Part no. 99 0436 19 05

Assembly instructions



Product description	<b>M12-A female cable connector, Contacts: 5, 8.0 - 10.0 mm, unshielded, screw clamp, IP67, UL, VDE, for the power supply</b>
Area	<b>M12-A series 713</b>
Part no.	<b>99 0436 19 05</b>

## Security notices

The connector must not be plugged or unplugged under load. Non-observance and improper use can result in personal injury.

The connectors have been developed for applications in plant engineering, control and electrical equipment construction. The user is responsible for checking whether the connectors can also be used in other areas of application.

To protect against unintentional opening of the connector, the thread between the housing and the connector head must be secured with a suitable cyanoacrylate adhesive when used in circuits with voltages dangerous to the touch. This does not apply to connectors used in SELV and PELV circuits according to IEC 61140 (EN 61140, VDE 0140-1).

Connectors which are used in circuits with voltages dangerous to the touch may only be installed and used by, or under the supervision of, persons with electrical engineering training, taking into account the applicable regulations and standards.

Plug connectors with enclosure protection IP 67 and IP 68 are not suitable for use under water. When used outdoors, the plug connectors must be protected separately against corrosion. For further information on the IP protection classes, please refer to the "Technical Information" download centre.

To lock the cable connector with the device connector, the threaded ring is tightened "hand-tight" (approx. 60 cNm).