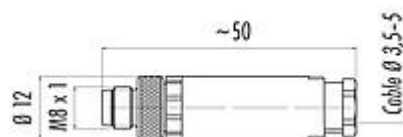


Product description	M8 Male cable connector, Contacts: 3, 3.5-5.0 mm, unshielded, screw clamp, IP67, UL
Area	M8 series 768
Part no.	99 3379 100 03

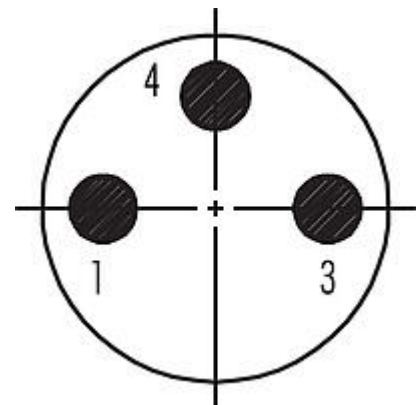
Illustration



Scale drawing



Contact arrangement (Plug-in side)



You can find the component part drawing and assembly instructions on the next page.

Technical data

General features

Part no.	99 3379 100 03
Connector design	Male cable connector
Version	Connector pin straight
Connector locking system	screw
Termination	screw clamp
Degree of protection	IP67
Cross-sectional area	0.14-0.50 mm ² / AWG 26-20
Cable outlet	3.5-5.0 mm
Temperature range from/to	-40 °C / 85 °C
Mechanical operation	> 100 Mating cycles
Weight (g)	8.77
Customs tariff number	85369010

Electrical parameters

Rated voltage	60 V
Rated impulse voltage	1500 V
Rated current (40 °C)	4.0 A
Pollution degree	3
Overvoltage category	III
Insulating material group	II

Product data sheet

Automation technology - sensors and actuators

Product description	M8 Male cable connector, Contacts: 3, 3.5-5.0 mm, unshielded, screw clamp, IP67, UL
Area	M8 series 768
Part no.	99 3379 100 03

EMC compliance	unshielded
----------------	------------

Material

Housing material	PBT (UL94 V-0)
Contact body material	PA66 (UL94 HB)
Contact material	CuZn (brass)
Contact plating	Au (gold)
Locking material	CuZn (brass)
REACH SVHC	CAS 7439-92-1 (Lead)
SCIP number	1dd4bf23-4f88-47ac-9731-6b7c2487f1c8

Authorization/approvals

Approvals	UL
-----------	----

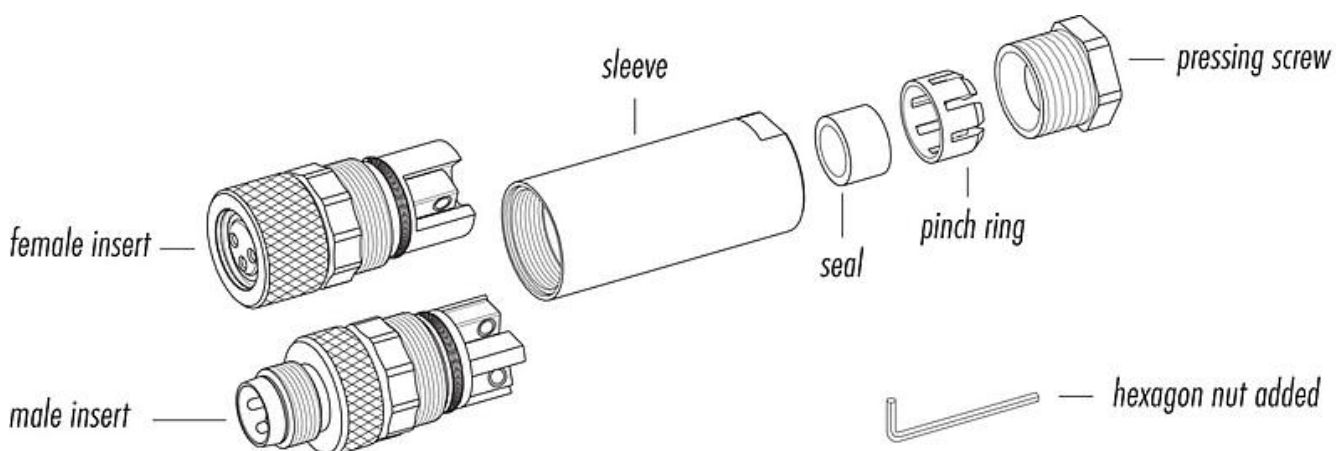
Classifications

eCl@ss 11.1	27-44-01-02
ETIM 7.0	EC002635

Declarations of conformity

Low Voltage Directive	2014/35/EU (EN 60204-1:2018;EN 60529:1991)
-----------------------	--

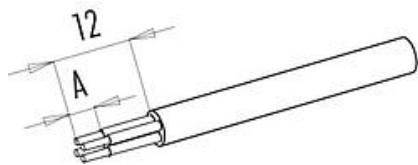
Component part drawing



Product description M8 Male cable connector, Contacts: 3, 3.5-5.0 mm, unshielded, screw clamp, IP67, UL

Area M8 series 768
Part no. 99 3379 100 03

Assembly instructions



	<i>screw connection</i>	<i>solder version</i>
<i>measure A/mm</i>	4	3

Product description	M8 Male cable connector, Contacts: 3, 3.5-5.0 mm, unshielded, screw clamp, IP67, UL
Area	M8 series 768
Part no.	99 3379 100 03

Security notices

The connectors have been developed for applications in plant engineering, control and electrical equipment construction. The user is responsible for checking whether the connectors can also be used in other areas of application.

Plug connectors with enclosure protection IP67 and IP68 are not suitable for use under water. When used outdoors, the plug connectors must be protected separately against corrosion. For further information on the IP protection classes, please refer to the "Technical Information" download centre.

To lock the cable connector with the device connector, the threaded ring is tightened "hand-tight" (approx. 50 cNm).