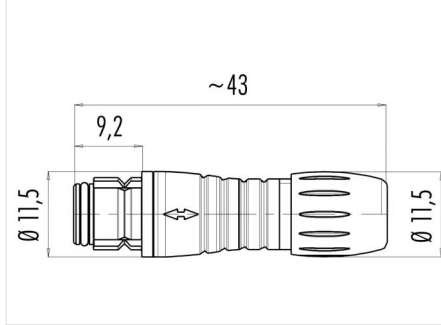


Product description Snap-In IP67 female cable connector, Contacts: 4, 3.0 - 5.0 mm, solder, IP67
Area Snap-In IP67 series 620
Order number 99 9210 00 04

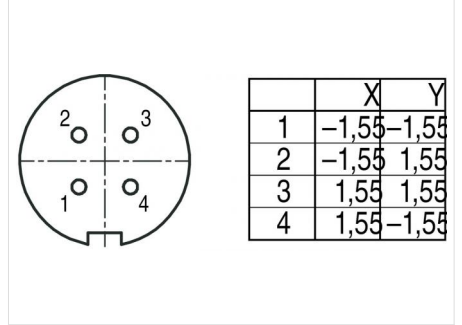
Illustration



Scale drawing



Contact arrangement (Plug-in side)



You can find the component part drawing on the next page.

Technical data

General features

Order number 99 9210 00 04
Connector design female cable connector
Version connector female straight
Connector locking system snap
Termination solder
Degree of protection IP67
Cross-sectional area max. 0.25 mm² / max. AWG 24
Cable outlet 3.0 - 5.0 mm
Temperature range from/to -25 °C / 85 °C
Mechanical operation > 500 Mating cycles
Weight (g) 3.86
Customs tariff number 85369010

Material

Housing material PA
Contact body material PA (UL94 HB) black
Contact material CuSn (bronze)
Contact plating Au (gold)
REACH SVHC CAS 7439-92-1 (Lead)

Declarations of conformity

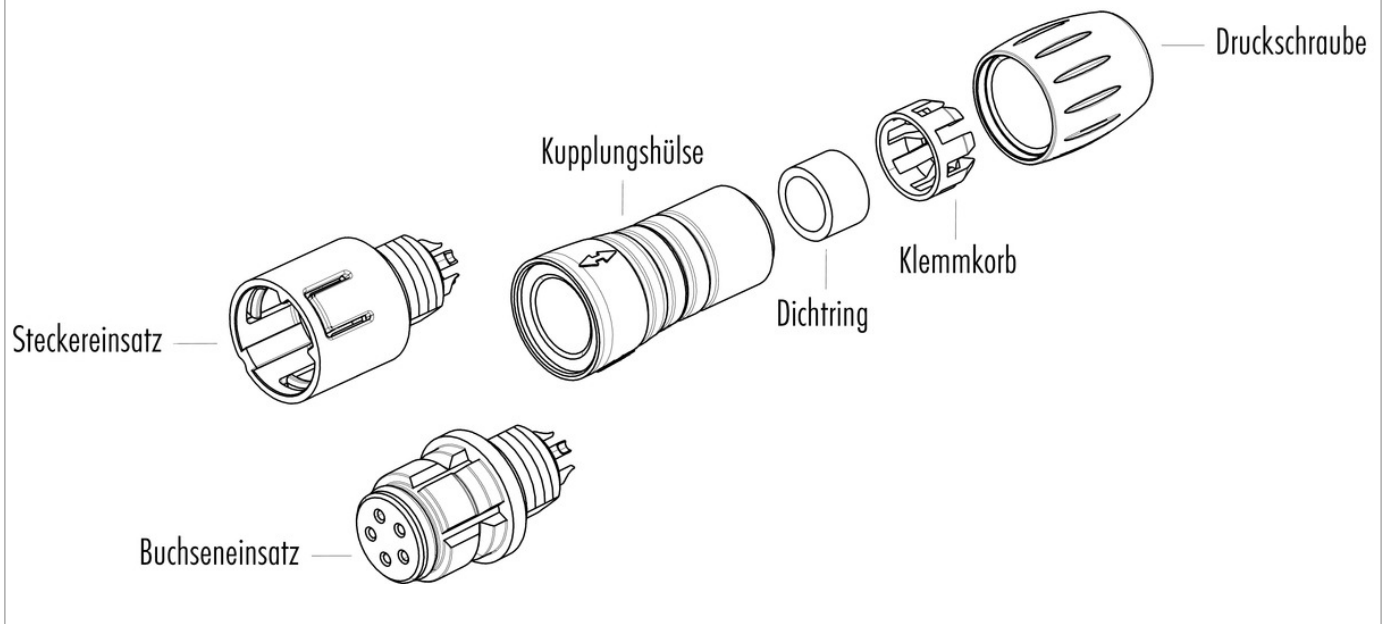
Low Voltage Directive 2014/35/EU (EN 60204-1:2018;EN 60529:1991)

Electrical parameters

Rated voltage 125 V
Rated impulse voltage 1500 V
Rated current (40 °C) 2.5 A
Insulation resistance $\geq 10^{10} \Omega$
Pollution degree 2
Overvoltage category II
Insulating material group II

Product description	Snap-In IP67 female cable connector, Contacts: 4, 3.0 - 5.0 mm, solder, IP67
Area	Snap-In IP67 series 620
Order number	99 9210 00 04

Component part drawing



Product description	Snap-In IP67 female cable connector, Contacts: 4, 3.0 - 5.0 mm, solder, IP67
Area	Snap-In IP67 series 620
Order number	99 9210 00 04

Security notices

The connector must not be plugged or unplugged under load. Non-observance and improper use can result in personal injury.

The connectors have been developed for applications in plant engineering, control and electrical equipment construction. The user is responsible for checking whether the connectors can also be used in other areas of application.

To protect against unintentional opening of the connector, the thread between the housing and the connector head must be secured with a suitable cyanoacrylate adhesive when used in circuits with voltages dangerous to the touch. This does not apply to connectors used in SELV and PELV circuits according to IEC 61140 (EN 61140, VDE 0140-1).

Connectors which are used in circuits with voltages dangerous to the touch may only be installed and used by, or under the supervision of, persons with electrical engineering training, taking into account the applicable regulations and standards.

Plug connectors with enclosure protection IP 67 and IP 68 are not suitable for use under water. When used outdoors, the plug connectors must be protected separately against corrosion. For further information on the IP protection classes, please refer to the "Technical Information" download centre.