

92mm sq.

San Ace 92

25mm thick (GA type), 38mm thick (GA type)



General Specifications With a pulse sensor Specifications for pulse sensors ⇨ Refer to Page 297

With PWM speed control function ⇨ Refer to Page 299

- Material Frame: Plastics (Flammability: UL94V-0),
Impeller: Plastics (Flammability: UL94V-1Min.)
- Expected Life Varies for each model (L10: Survival rate: 90% at 60°C ,
rated voltage, and continuously run in a free air state)
- Lead Wire ⊕red ⊖black Sensor yellow Control brown
- Storage Temperature -30°C to +70°C (Non-condensing)

92×92×38mm (Mass : 240g)

GA type



Specifications The numbers in () represent ribless models.

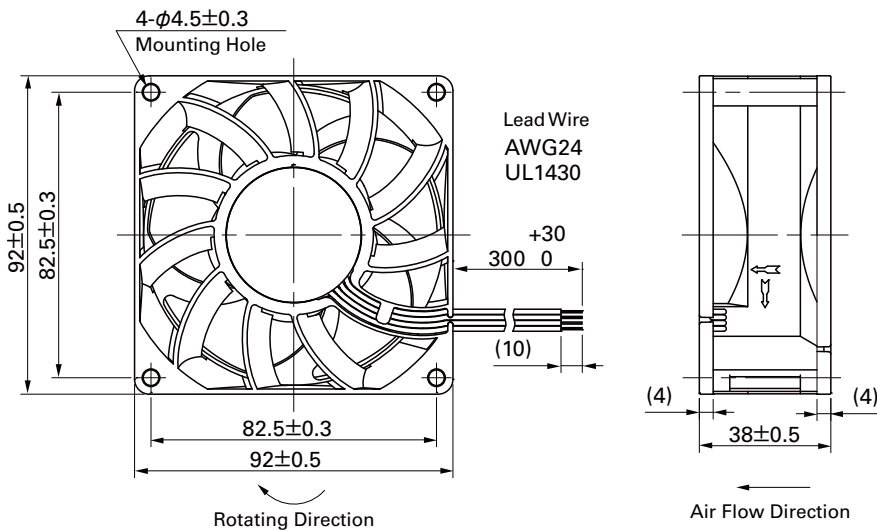
Model No.	Rated Voltage [V]	Operating Voltage Range [V]	PWM duty cycle* [%]	Rated Current [A]	Rated Input [W]	Rated Speed [min ⁻¹]	Max. Air Flow [m ³ /min] [CFM]	Max. Static Pressure [Pa] [inchH ₂ O]	SPL [dB(A)]	Operating Temperature [°C]	Expected Life ^(Note2) [h]
9GA0912P1H03(031)	12	10.2 to 13.8	100	2.10	25.2	9,700	4.00 141	500 2.01	63	-10 to +70	40,000/60°C
			0	0.16	1.92	2,500	0.97 34.3	33.0 0.13	29		(70,000/40°C)
9GA0948P1H03 ^(Note1)	48	40.8 to 55.2	100	0.55	26.4	9,700	4.00 141	500 2.01	63		40,000

Note 1: Rated voltage 48V fans do not rotate when PWM duty cycle is 0%.
Note 2: Expected life at 40 degreeC ambient is just reference value.

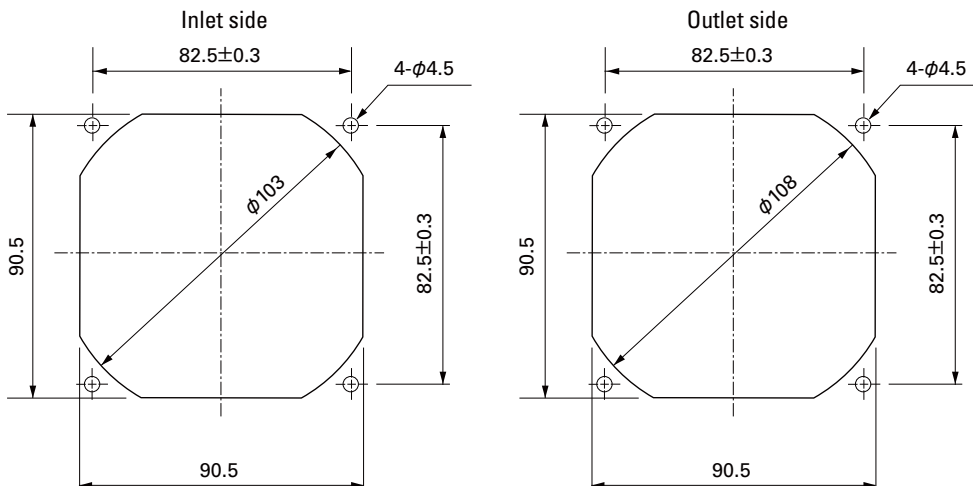
※PWM Frequency : 25kHz

Without Sensor Pulse Sensor PWM Control Available in all models.

Dimensions (Unit : mm) (With ribs)



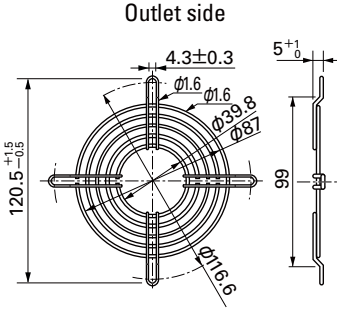
Reference dimension of mounting holes and vent opening (Unit : mm)



Options (Unit : mm)

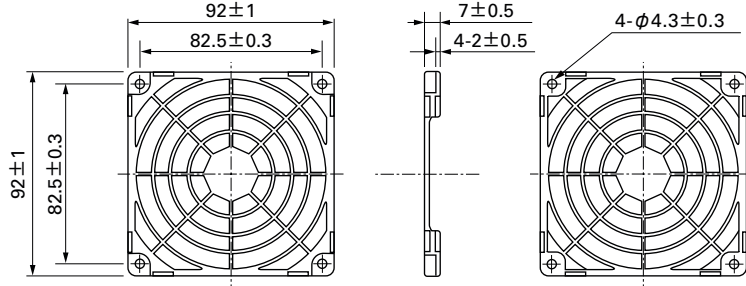
Finger guards

Model : 109-099C Color : Nickel-chrome plating (silver)



Resin finger guards

Model : 109-1001G

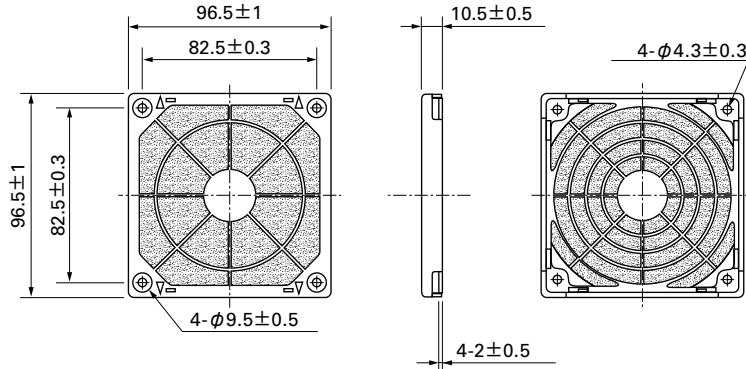
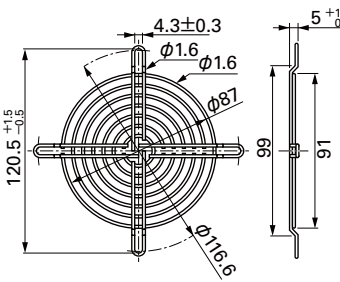


Model : 109-099E Surface treatment : Nickel-chrome plating (silver)
: 109-099H : Cation electropainting (black)

Resin filter kits

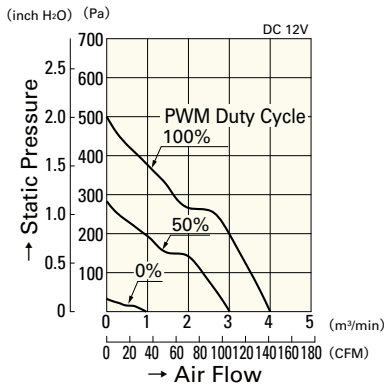
Model : 109-1001F13 (13PPI), 109-1001F20 (20PPI)
: 109-1001F30 (30PPI), 109-1001F40 (40PPI)

Inlet side, Outlet side



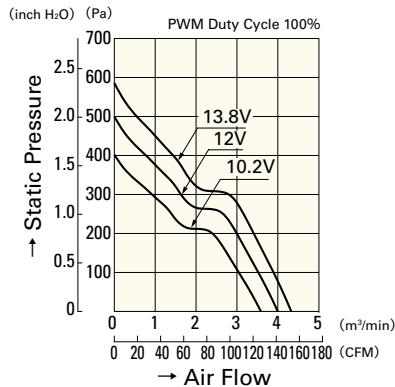
Air Flow - Static Pressure Characteristics

PWM Duty Cycle



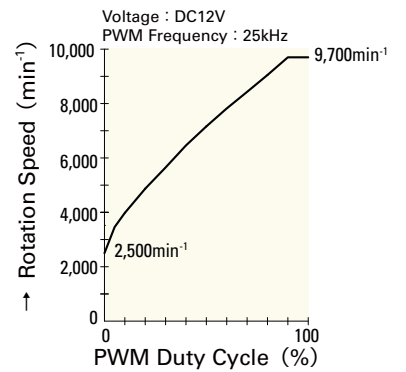
9GA0912P1H03(031)

Operating Voltage Range

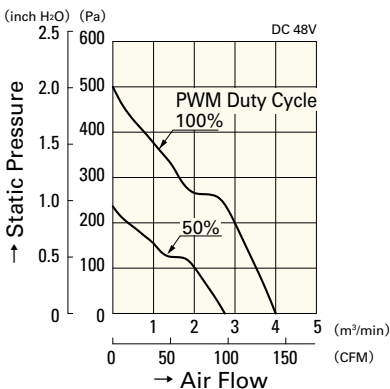


9GA0912P1H03(031)

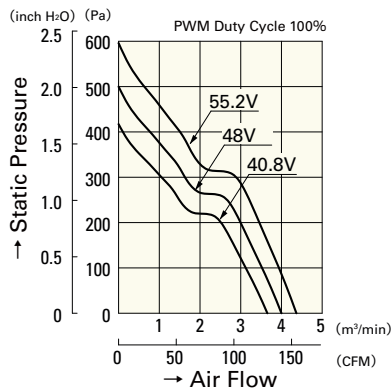
PWM Duty - Speed Characteristics Example



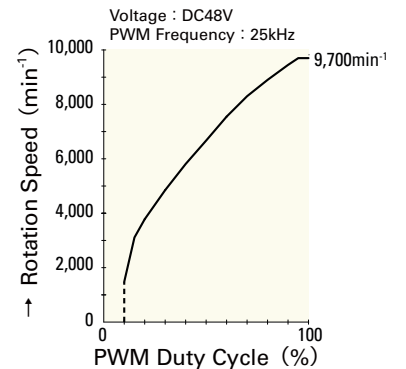
9GA0912P1H03(031)



9GA0948P1H03



9GA0948P1H03



9GA0948P1H03