

60mm sq.

San Ace 60



General Specifications

- Material Frame: Plastics (Flammability: UL94V-0),
Impeller: Plastics (Flammability: UL94V-1)
- Expected Life Refer to specifications (L10:Survival rate:90% at 60°C ,
rated voltage, and continuously run in a free air state)
- Lead Wire ⊕red ⊖black (Sensor) yellow (Control) brown
- Storage Temperature -30°C to +70°C (Non-condensing)

60×60×38mm (Mass : 130g) **9GV type**

Specifications

The following nos. **have PWM controls, pulse sensors, and ribs.** For ribless, append "1" to the model no.

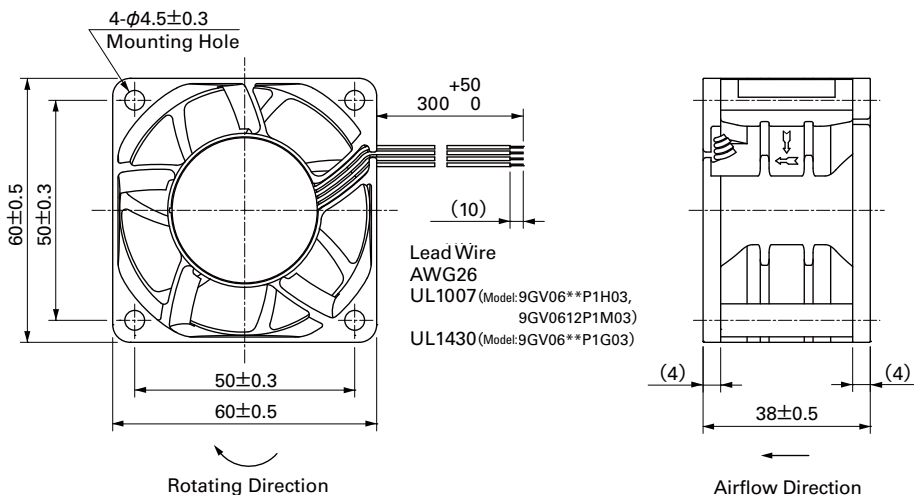
Model No.	Rated Voltage [V]	Operating Voltage Range [V]	PWM duty cycle※ [%]	Rated Current [A]	Rated Input [W]	Rated Speed [min ⁻¹]	Max. Airflow [m ³ /min] [CFM]	Max. Static Pressure [Pa] [InchH ₂ O]	SPL [dB(A)]	Operating Temperature Range [°C]	Expected Life [h]
9GV0612P1G03	12	8.0 to 13.8	100	2.8	33.6	16,000	2.37 84	751 3.02	66	-20 to +70	40,000/60°C
			0	0.12	1.5	3,100	0.44 15	26 0.10	25		
100			2.0	24.0	14,500	2.15 76	617 2.48	63			
0			0.1	1.2	2,700	0.40 14	21 0.09	22			
9GV0612P1M03		10.8 to 13.8	100	1.5	18.0	13,000	1.93 68	496 1.99	60		
0			0.08	1.0	2,500	0.38 13	18 0.07	19			
9GV0612P1L01 <small>(Note)</small>	24	20.4 to 27.6	100	1.4	33.6	16,000	2.37 84	751 3.02	66		
0			0.12	2.88	6,000	0.89 31	105 0.42	38			
100			0.73	17.52	13,000	1.93 68.0	496 1.99	60			
9GV0624P1M03 <small>(Note)</small>		38 to 57	100	0.5	24	14,500	2.15 76	617 2.48	63		
0			0.08	3.84	6,000	0.89 31	105 0.42	38			

Note : Fan does not rotate when PWM duty cycle is 0%.

※PWM Frequency : 25kHz

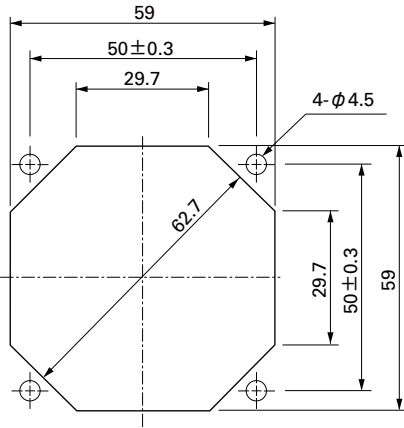
Models without sensors, or with pulse sensors (no PWM control function), or lock sensors are available as options. Please refer to the index (p. 477).

Dimensions (unit: mm) (With ribs)



Reference Dimensions of Mounting Holes and Vent Opening (unit: mm)

Inlet side, Outlet side



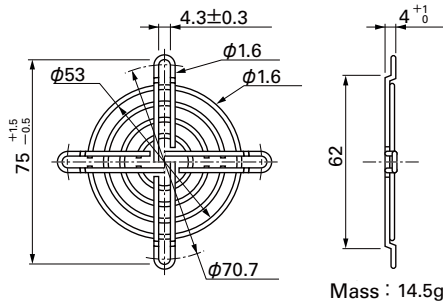
Options (unit: mm)

Finger Guards

Model : 109-139E Surface treatment : Nickel-chrome plating (silver)
 : 109-139H : Cation electropainting (black)

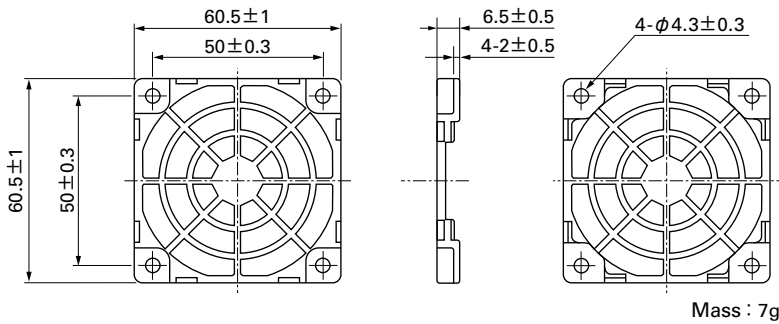
Color

Inlet side, Outlet side



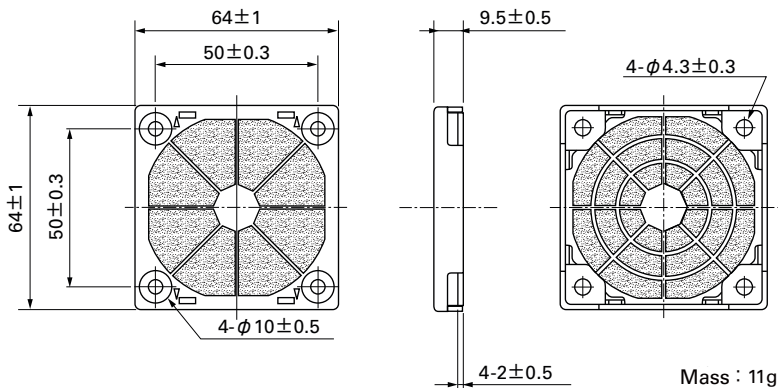
Resin Finger Guards

Model : 109-1003G



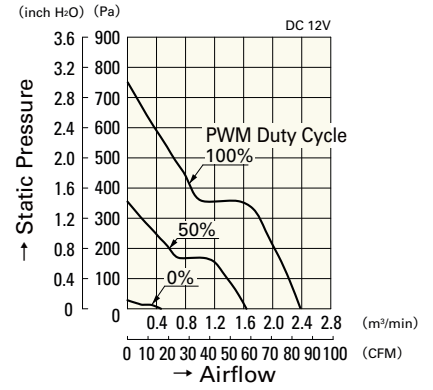
Resin Filter Kits

Model : 109-1003F13 (13PPI), 109-1003F20 (20PPI)
 : 109-1003F30 (30PPI), 109-1003F40 (40PPI)



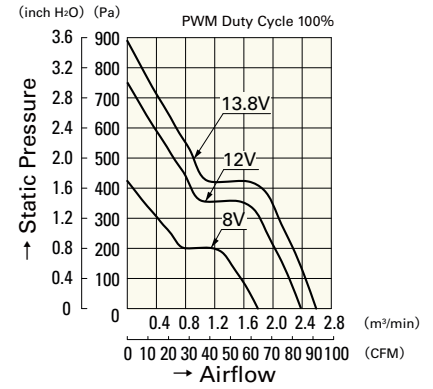
Airflow - Static Pressure Characteristics

PWM Duty Cycle



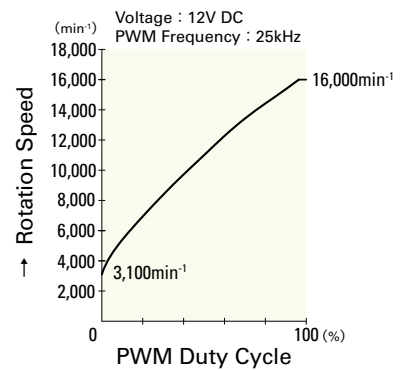
9GV0612P1G03

Operating Voltage Range



9GV0612P1G03

PWM Duty - Speed Characteristics Example



9GV0612P1G03

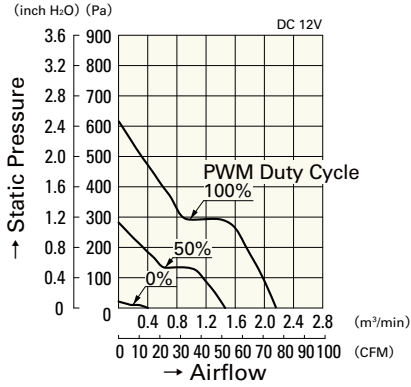
60mm sq.

San Ace 60

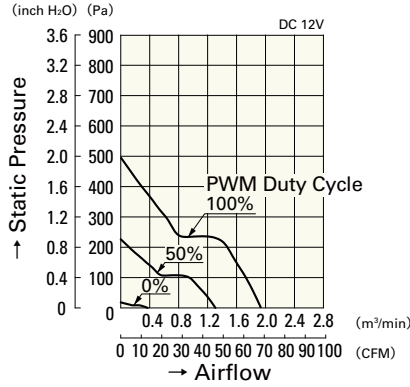
60×60×38mm [Mass : 130g]

Airflow - Static Pressure Characteristics

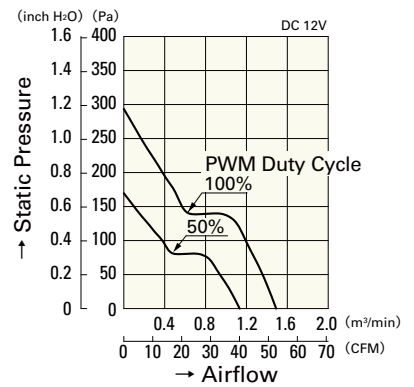
PWM Duty Cycle



9GV0612P1H03

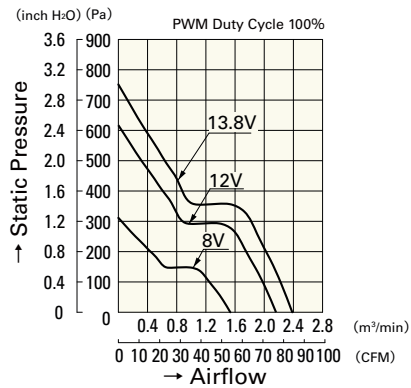


9GV0612P1M03

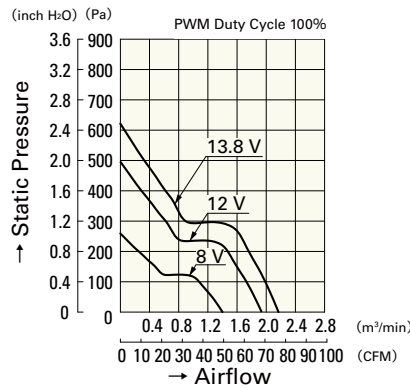


9GV0612P1L01

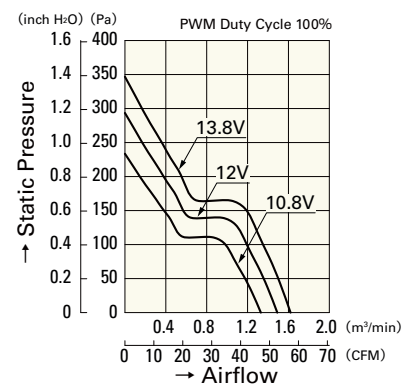
Operating Voltage Range



9GV0612P1H03

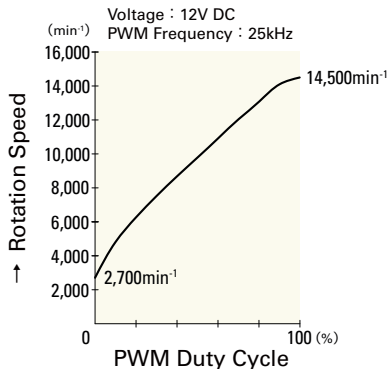


9GV0612P1M03

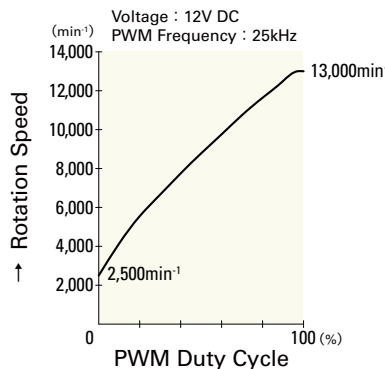


9GV0612P1L01

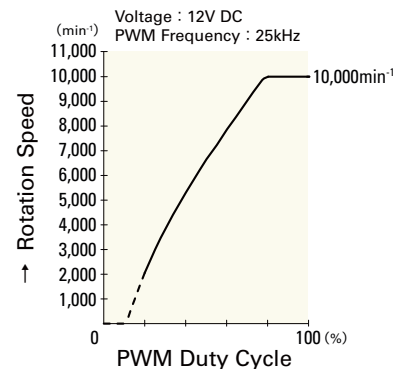
PWM Duty - Speed Characteristics Example



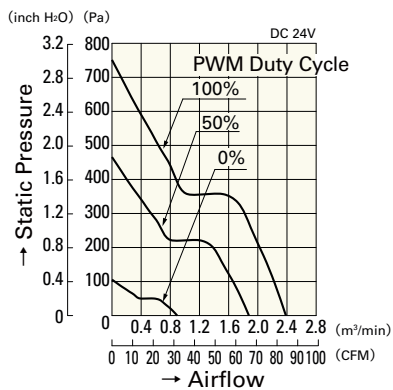
9GV0612P1H03



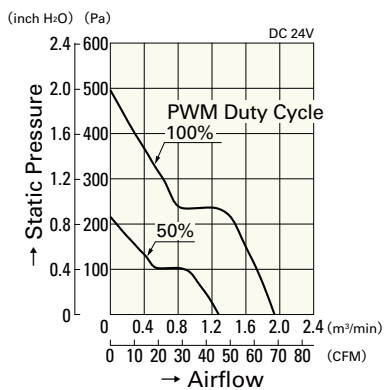
9GV0612P1M03



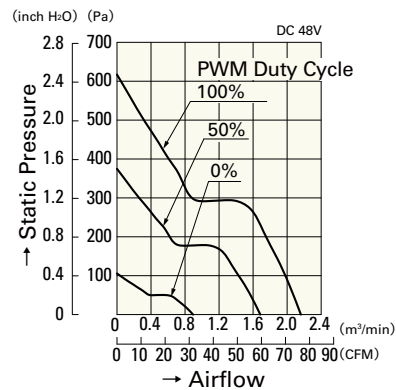
9GV0612P1L01



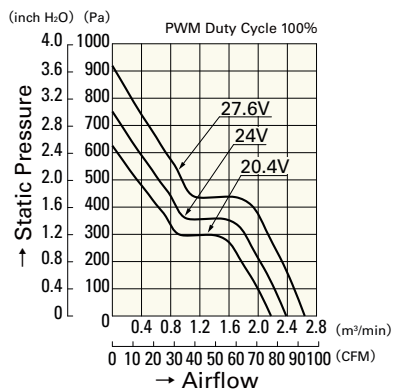
9GV0624P1G03



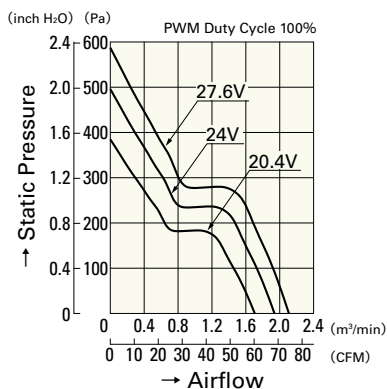
9GV0624P1M03



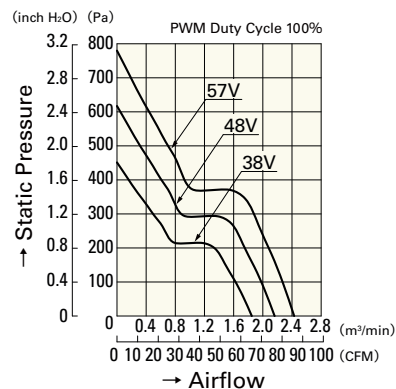
9GV0648P1H03



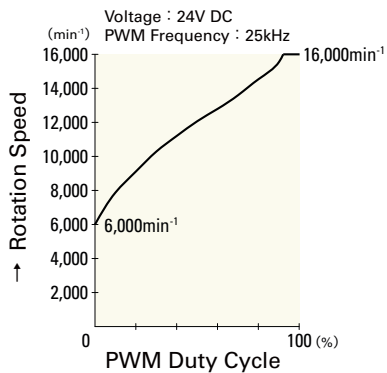
9GV0624P1G03



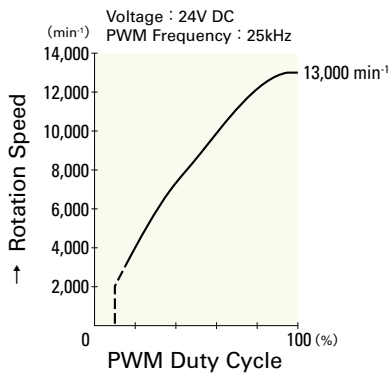
9GV0624P1M03



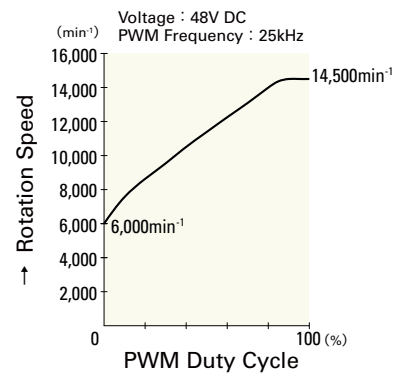
9GV0648P1H03



9GV0624P1G03



9GV0624P1M03



9GV0648P1H03

Part Numbering System Not every combination of the following codes or characters is available. Contact us for an available combination.

9GV	12	12	J	1	01	1
Type name / frame material 109P / Plastics 109R / Plastics 9GA / Plastics 9S / Plastics 9GV / Plastics Aluminum 9GE / Aluminum 9G / Plastics 9A / Plastics 9SG / Aluminum 109E / Aluminum 9EC / Aluminum 9GX / Plastics 9GAX / Plastics	Frame size 36 : 36×36mm 03 : 38×38mm 04 : 40×40mm 05 : 52×52mm 06 : 60×60mm 08 : 80×80mm 09 : 92×92mm 12 : 120×120mm 13 : 127×127mm 14 : 140×140mm 15 : 150×150mm 17 : ϕ 172mm 47 : ϕ 172mm×147mm (sidecut) 57 : ϕ 172mm×150mm (sidecut) 20 : ϕ 200mm	Voltage 05 : 5V 12 : 12V 24 : 24V 48 : 48V etc	Speed code A, B, C, D, E, F, G, H, J, K, L, M, S, W etc	Frame thickness 0 : 70mm 1 : 38mm thick 2 : 32mm thick 3 : 28mm thick 4 : 25mm thick 5 : 50mm thick 51mm thick 6 : 20mm thick 7 : 15mm thick 9 : 10mm thick	Sensor specifications 01 or 001 : With a pulse sensor 02 or 002 : Without a sensor D01 or D001 : With a lock sensor	Frame form Nil : Plastics frame: Ribbed frame Aluminum frame: Ribless frame 1 : Plastics frame: Ribless frame 3 : 40×40×28mm for 1U applications Plastics frame: Ribbed frame

Fans with PWM control function

Example :

9GV	12	12	P	4	G	01	
Type name / frame material 9GV / Plastics Aluminum	Frame size 12 : 120×120mm	Voltage 12 : 12V	PWM control function	Frame thickness	Speed code	Individual customer's spec 2 to 4 digits	Frame form Nil : Plastics frame: Ribbed frame Aluminum frame: Ribless frame