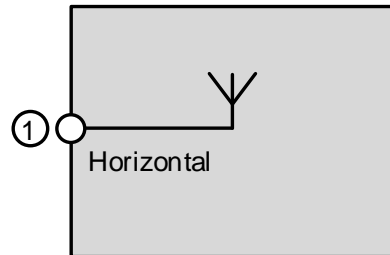


Thin H-Pol Omni Chip Antenna, 380MHz-2700MHz



not binding



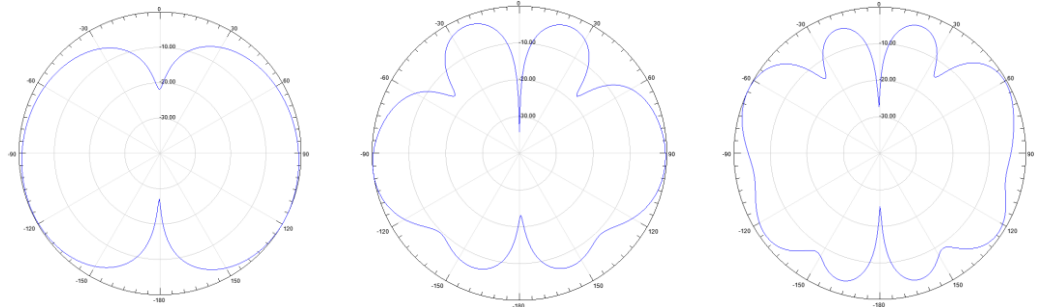
block diagram

Part number	BN A77137		
Connector	4.3-10 female (50 Ω)		
Frequency range, [MHz]	380-520	694-960	1690-2700
Gain, [dBi]	2.0±1.0	2.2±1.0	4.5±1.0
Polarization	Horizontal		
Beam width	Horizontal, [deg]	360	
	Vertical, [deg]	25-80	70-150
VSWR	≤2.0	≤2.0	≤2.0
Intermodulation (IM3) @ 2x 20 W, [dBc]	-	≤ -140	≤ -140
Input power, [W]	max. 50		
Degree of protection	Indoor / IP54		
Weight, [kg]	0.4		
Radome Material and Color	ABS, White, RAL9003		
Temperature range, [°C]	-55 – +60		
Dimensions, [mm]	Ø266 x 18		
Operational Humidity	<95%		
RoHS	Compliant		
Flammability rating	UL 94-V0		
Fire load, [KWh]	1.12		
Mounting Kit	Ceiling ¹⁾ , via hole(standard)		

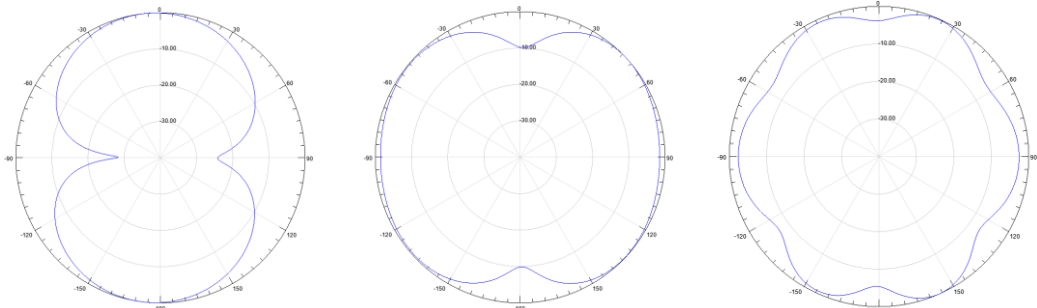
¹⁾ The installation of Thin Chip antennas is not recommended for metal ceilings.

Radiation pattern:

Horizontal pattern



Vertical pattern

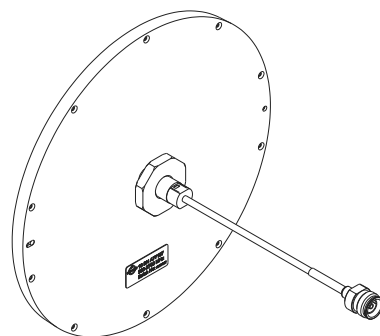
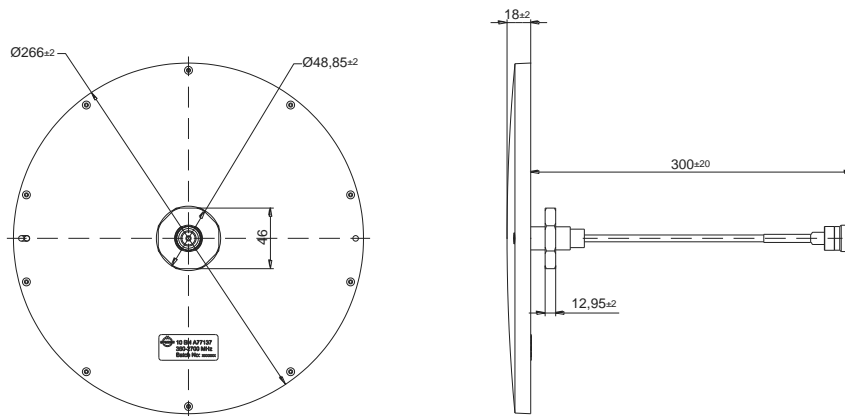


800MHz

1710MHz

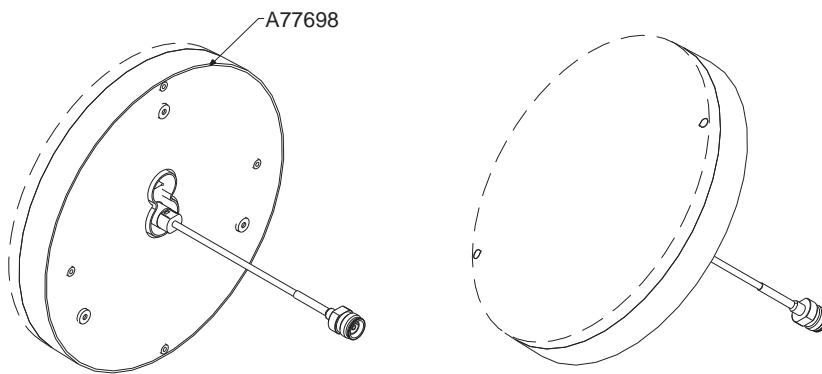
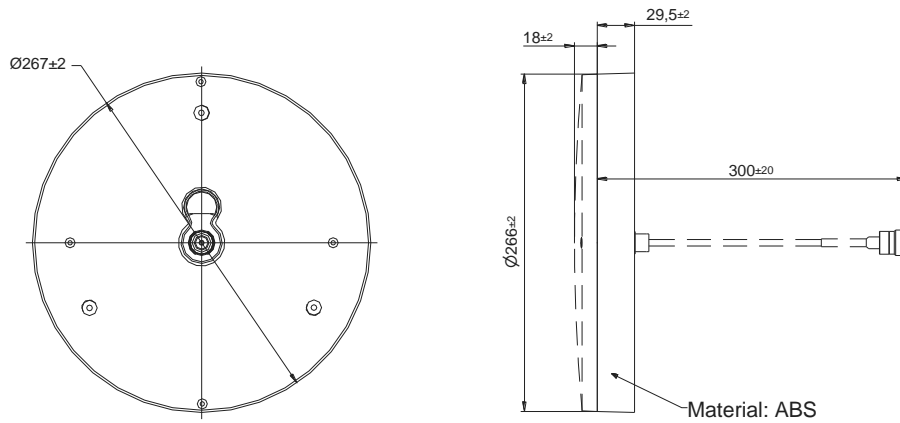
2500MHz

Dimensions and mounting:



Standard:
4.3-10 female (50 ohms): IEC 61169-54

Absorbing/Mounting accessory BN A77698 (optional)



Subject to change without notice