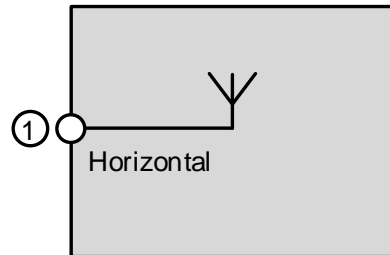


Thin H-Pol Omni Chip Antenna, 380MHz-2700MHz



not binding



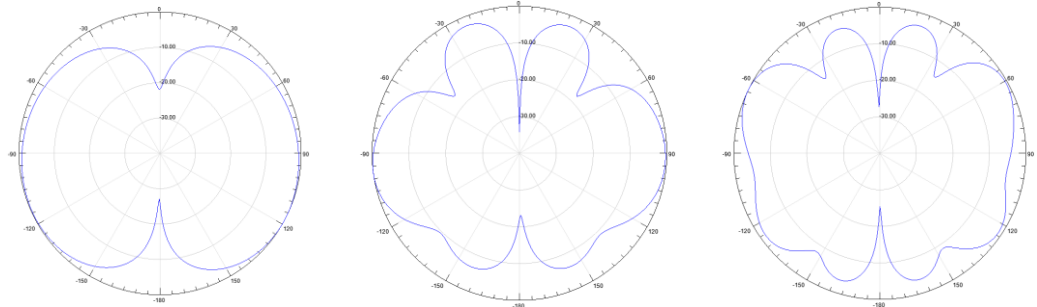
block diagram

Part number		BN A77137C0001		
Connector		4.3-10 female (50 Ω)		
Frequency range, [MHz]		380-520	694-960	1690-2700
Gain, [dBi]		2.0±1.0	2.2±1.0	4.5±1.0
Polarization		Horizontal		
Beam width	Horizontal, [deg]	360		
	Vertical, [deg]	25-80	50-120	70-150
VSWR		≤2.0	≤2.0	≤2.0
Intermodulation (IM3) @ 2x 20 W, [dBc]		-	≤ -150	≤ -150
Input power, [W]		max. 50		
Degree of protection		Indoor / IP54		
Weight, [kg]		0.4		
Radome Material and Color		ABS, White, RAL9003		
Temperature range, [°C]		-55 – +60		
Dimensions, [mm]		Ø266 x 18		
Operational Humidity		<95%		
RoHS		Compliant		
Flammability rating		UL 94-V0		
Fire load, [KWh]		1.12		
Mounting Kit		Ceiling ¹⁾ , via hole(standard)		

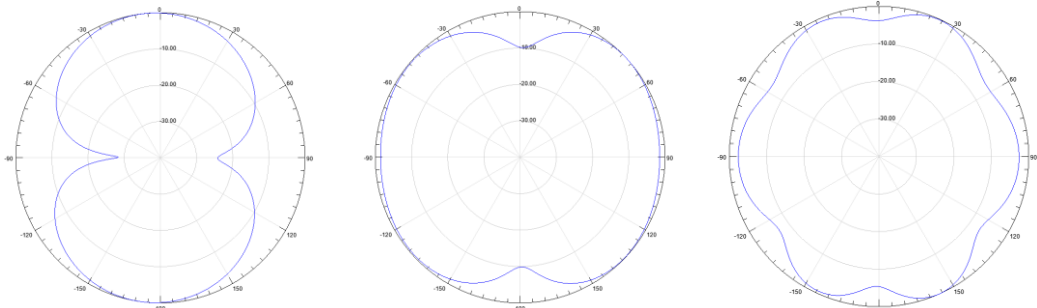
¹⁾ The installation of Thin Chip antennas is not recommended for metal ceilings.

Radiation pattern:

Horizontal pattern



Vertical pattern

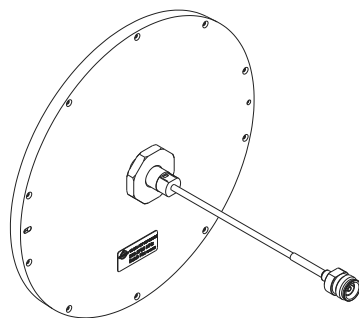
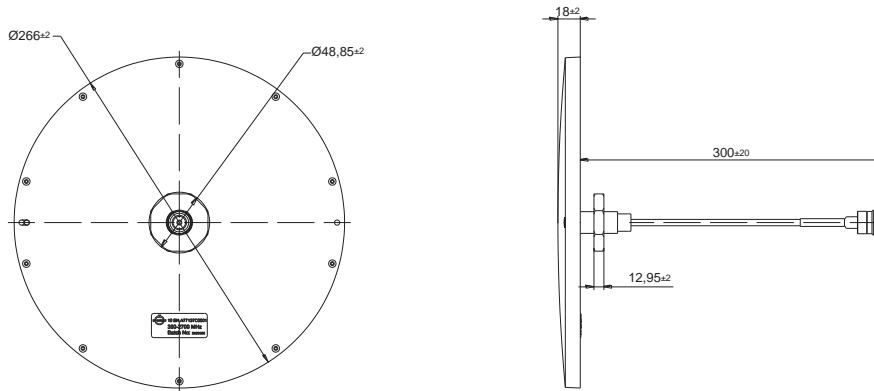


800MHz

1710MHz

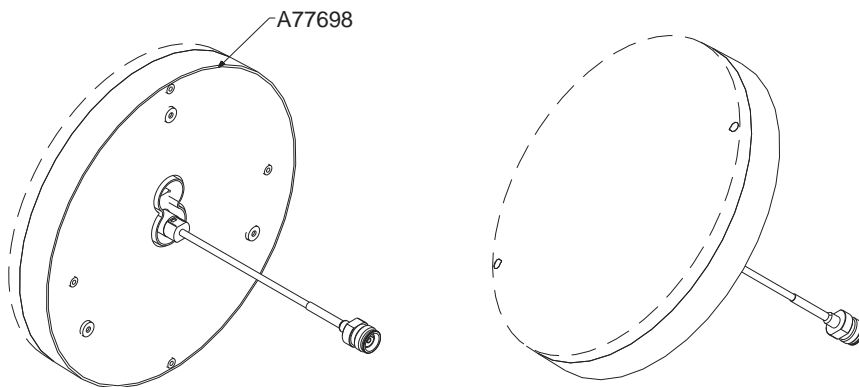
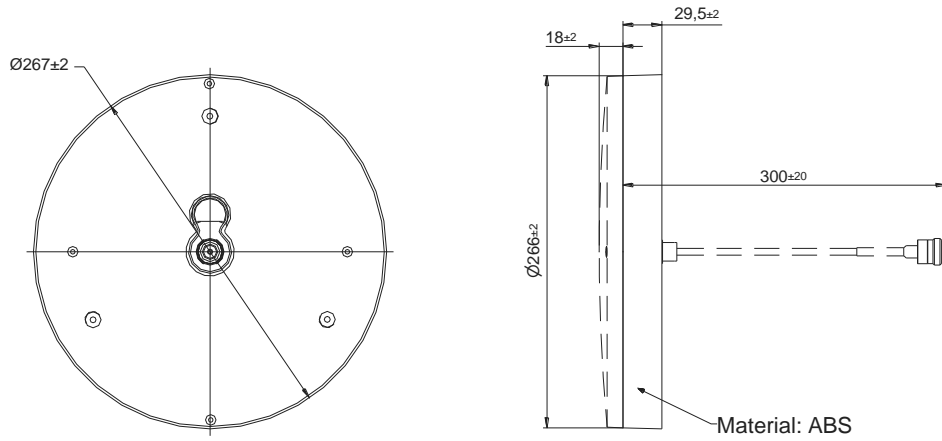
2500MHz

Dimensions and mounting:



Standard:
4.3-10 female (50 ohms): IEC 61169-54

Absorbing/Mounting accessory BN A77698 (optional)



Subject to change without notice