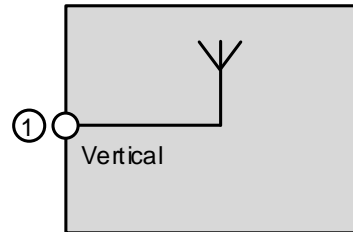


SISO V-Pol Omni Antenna, 694MHz-2700MHz



not binding

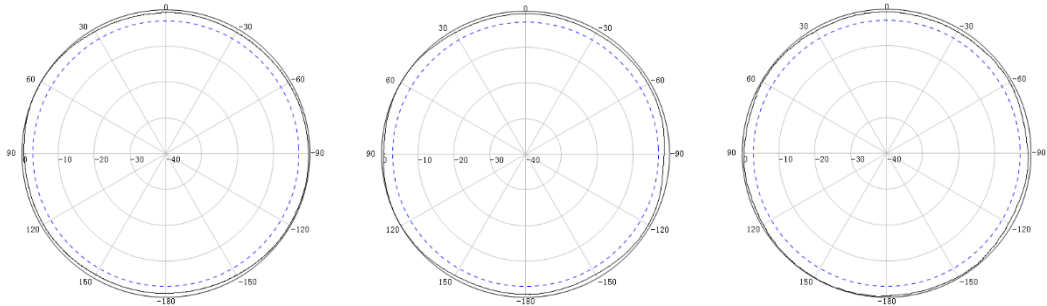


block diagram

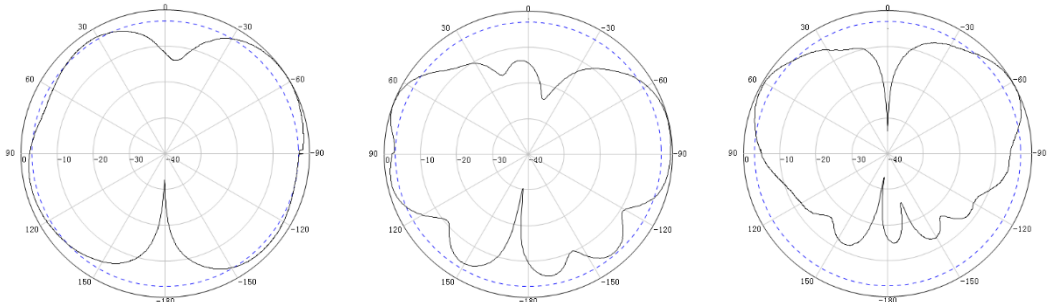
Part number	BN A77141			
Connector	4.3-10 female (50 Ω)			
Frequency range, [MHz]	694-806	806-960	1427-1710	1710-2700
Gain, [dBi]	1.8±0.5	2.0±0.5	3.0±1.0	3.0±1.0
Polarization	Vertical			
Beam width, [deg]	Horizontal	360		
	Vertical	90	70	40
VSWR	≤1.8	≤1.5	≤1.8	≤1.5
Intermodulation (IM3) @ 2x 20 W, [dBc]	≤ -153			
Input power, [W]	max. 50			
Degree of protection	Indoor / IP54			
Weight, without Mounting Kit, [kg]	0.37			
Radome Material and Color	ABS, White, RAL9003			
Temperature range, [°C]	-55 – +60			
Dimensions, [mm]	Ø203 x 115			
Operational Humidity	<95%			
RoHS	Compliant			
Flammability rating	UL 94-V0			
Mounting Kit	Ceiling, via hole(standard)			

Radiation pattern:

Horizontal pattern



Vertical pattern

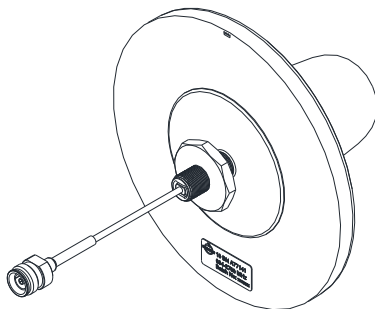
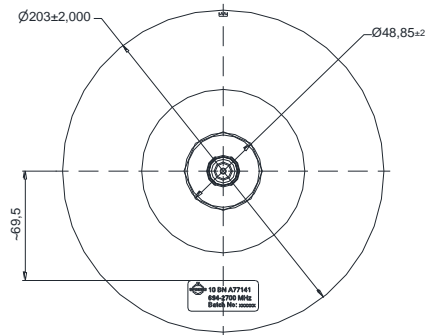
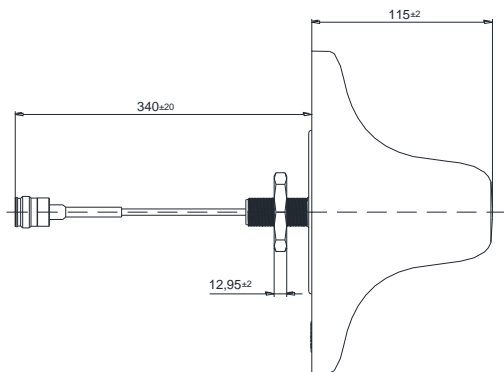


900MHz

1710MHz

2500MHz

Dimensions and mounting:



Standard:

4.3-10 female (50 ohms): IEC 61169-54;

Subject to change without notice