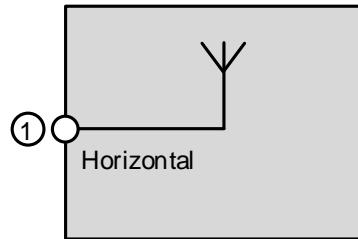


Thin H-Pol Omni Chip antenna, 694MHz-4000MHz



not binding



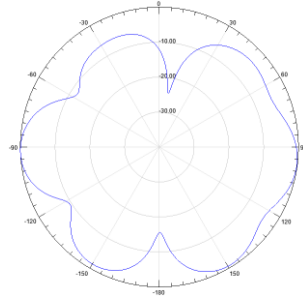
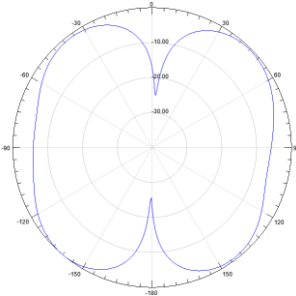
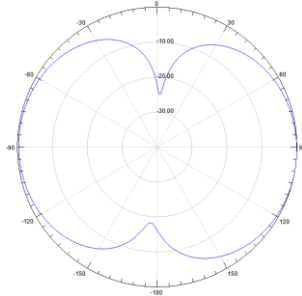
block diagram

Part number	BN A77143				
Connector	4.3-10 female (50 Ω)				
Frequency range, [MHz]	694-806	806-960	1350-1710	1710-2700	3400-4000
Gain, [dBi]	2.2±0.5	3.5±0.5	4.0±1.0	4.5±1.0	6.0±1.0
Polarization	Horizontal				
Beam width	Horizontal, [deg]	360			
	Vertical, [deg]	90-260	50-200		30-80
VSWR	≤1.5	≤1.5	≤1.8	≤1.5	≤1.5
Intermodulation (IM3) @ 2x 20 W, [dBc]	≤ -153				
Input power, [W]	max. 50				
Degree of protection	Indoor / IP54				
Weight, without Mounting Kit, [kg]	0.3				
Radome Material and Color	ABS, White, RAL9003				
Temperature range, [°C]	-55 – +60				
Dimensions, [mm]	Ø220 x 18				
Operational Humidity	<95%				
RoHS	Compliant				
Flammability rating	UL 94-V0				
Mounting Kit	Ceiling ¹⁾ , via hole(standard)				

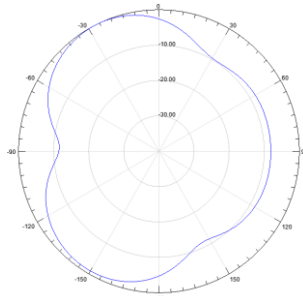
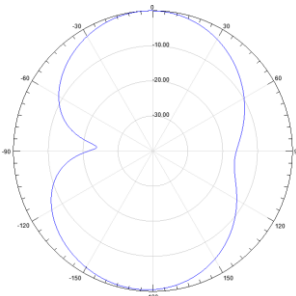
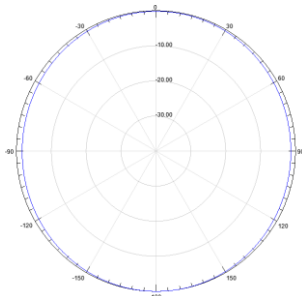
¹⁾ The installation of Thin Chip antennas is not recommended for metal ceilings.

Radiation pattern:

Horizontal pattern



Vertical pattern

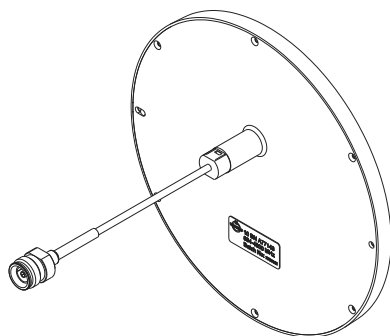
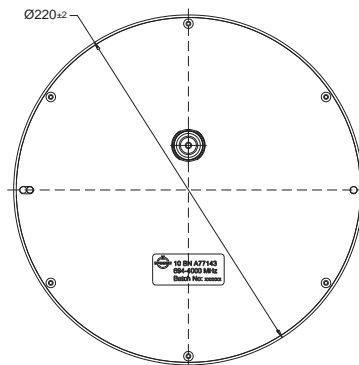
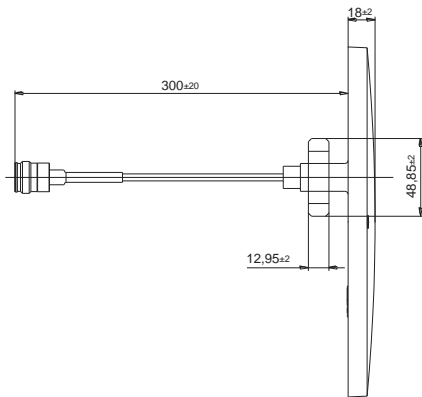


698-960MHz

1710-2170MHz

2170-2700MHz

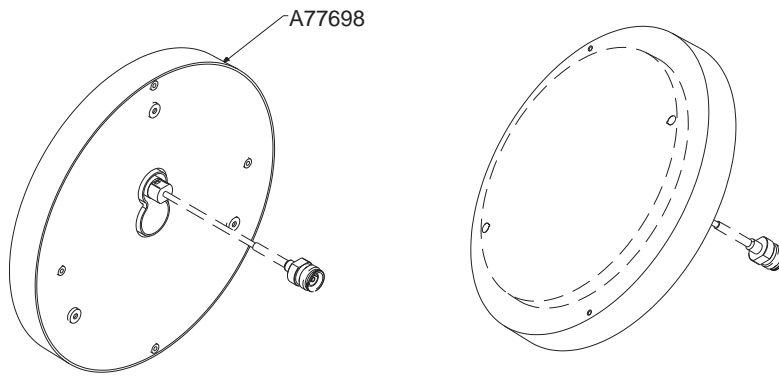
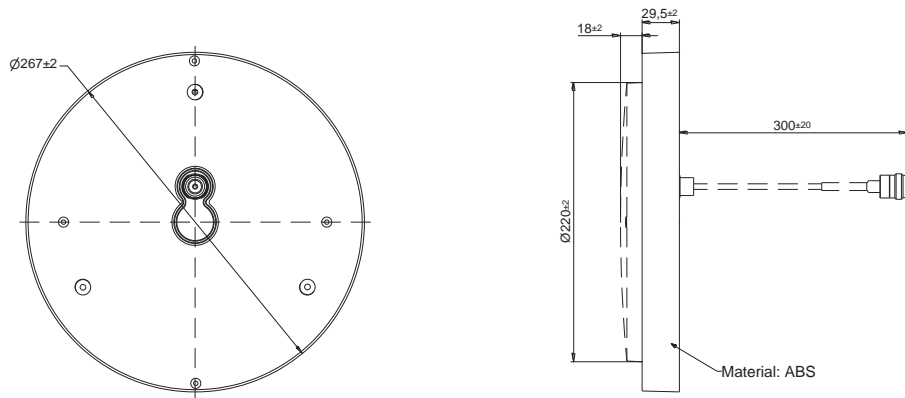
Dimensions and mounting:



Standard:

4.3-10 female (50 ohms): IEC 61169-54

Absorbing/Mounting accessory BN A77698 (optional)



Subject to change without notice