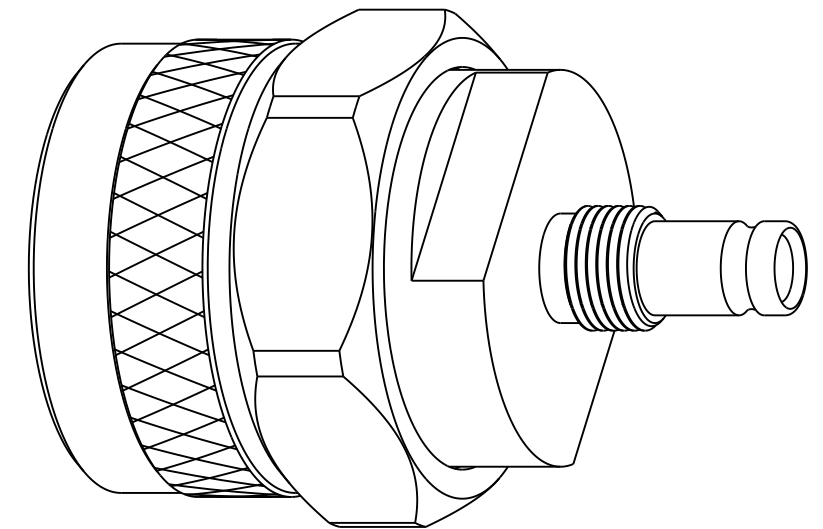


NOTES:

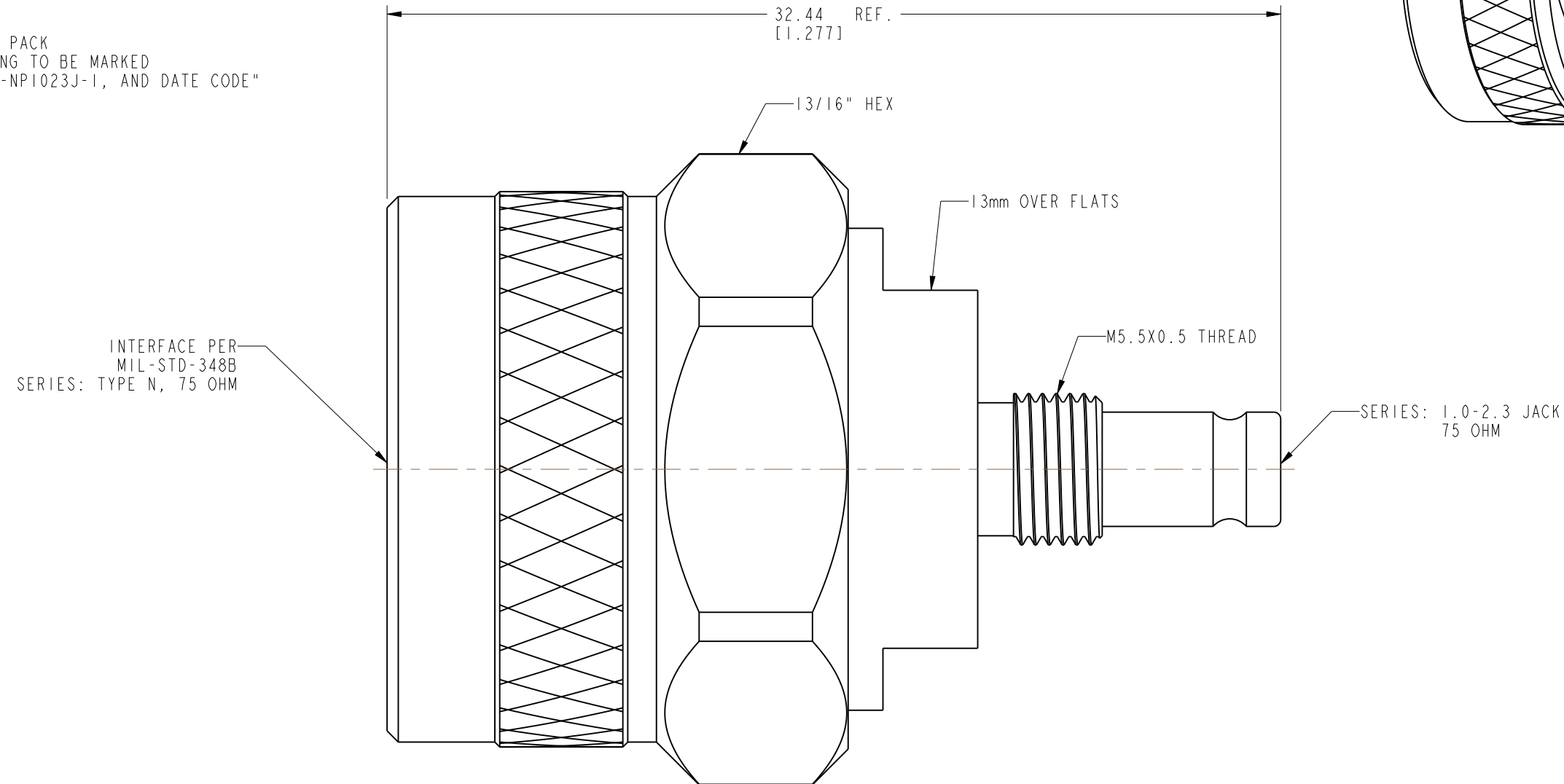
1. MATERIALS AND FINISHES:  
 BODY - BRASS, NICKEL PLATING  
 CONTACT - BeCu, GOLD PLATING  
 INSULATOR - PTFE, NATURAL  
 COUPLING NUT - BRASS, NICKEL PLATING  
 RETAINING RING - STAINLESS STEEL, NATURAL
2. ELECTRICAL:  
 A. IMPEDANCE: 75 OHM  
 B. FREQUENCY RANGE: DC-12 GHz  
 C. VSWR(RETURN LOSS):-20 dB DC-2 GHz MAX.  
                                   -15 dB 2-6 GHz MAX.  
 D. DIELECTRIC WITHSTANDING VOLTAGE: 250 VRMS, MIN.
3. MECHANICAL:  
 A. DURABILITY: 500 CYCLES MIN.  
 B. TEMPERATURE RANGE: -40° C TO 155° C
4. PACKAGING:  
 A. QUANTITY: SINGLE PACK  
 B. MARKING: PACKAGING TO BE MARKED  
     "AMPHENOL RF, AD-NP1023J-1, AND DATE CODE"

THIRD ANGLE PROJ.

REVISIONS				
REV	DESCRIPTION	DATE	ECN	APPR
A	RELEASE TO MANUFACTURING	28-Oct-19	13462	CJV



SCALE 3.000



**CUSTOMER OUTLINE DRAWING**  
 ALL OTHER SHEETS ARE FOR INTERNAL USE ONLY

UNLESS OTHERWISE SPECIFIED, DIMENSIONS ARE IN METRIC AND TOLERANCES ARE: <0.5mm    0.5 - 6mm    6 - 30mm    30 - 120mm    ANGLES ± 0.05mm    ±0.1mm    ±0.2mm    ± 0.3mm    ±1°		MATERIAL	DRAWN	DATE	TITLE ADAPTER N PLUG TO 1.0-2.3 JACK 75 OHM	Amphenol RF <a href="http://www.amphenolrf.com">www.amphenolrf.com</a>
NOTICE - These drawings, specifications, or other data (1) are, and remain the property of Amphenol corp. (2) must be returned upon request; and (3) are confidential and not to be disclosed to any person other than those to whom they are given by Amphenol Corp. the furnishing of these drawings, specifications, or other data by Amphenol Corp., or to any other person to anyone for any purpose is not to be regarded by implication or otherwise in any manner licensing, granting rights to permitting such holder or any other person to manufacture, use or sell any product, process or design, patented or otherwise, that may in any way be related to or disclosed by said drawings, specifications, or other data.		SEE NOTES	C. VIGORITO	03-Apr-19		
REFERENCE		EAR# 8729	ENGINEER	DATE	DRAWING NO. AD-NP1023J-1	
REF: ---			C. VIGORITO	03-Apr-19		
CONFIGURATION LEVEL: In Work			APPROVED	DATE	ITEM NO. AD-NP1023J-1	
FINISH			K. CAPOZZI	28-Oct-19	PART NO. AD-NP1023J-1	
		CAD FILE	SCALE: 5.0:1.0		SHEET 2 OF 2	
			DWG SIZE	REV		
			B	A		

# Mouser Electronics

Authorized Distributor

Click to View Pricing, Inventory, Delivery & Lifecycle Information:

[Amphenol:](#)

[AD-NP1023J-1](#)