

Distributed by:

**JAMECO**<sup>®</sup>  
ELECTRONICS

**www.Jameco.com ♦ 1-800-831-4242**

The content and copyrights of the attached  
material are the property of its owner.

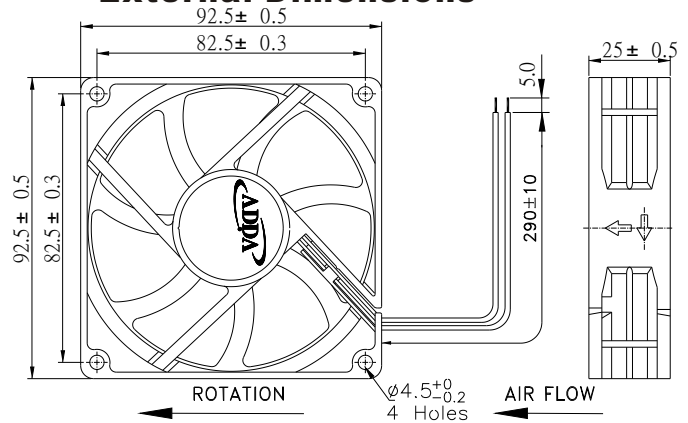
Jameco Part Number 1928003

# ◀ 92X92X25mm Series ▶



Spot cooling, also suitable for small space requirements, laptops PC and notebook, etc.,

## External Dimensions



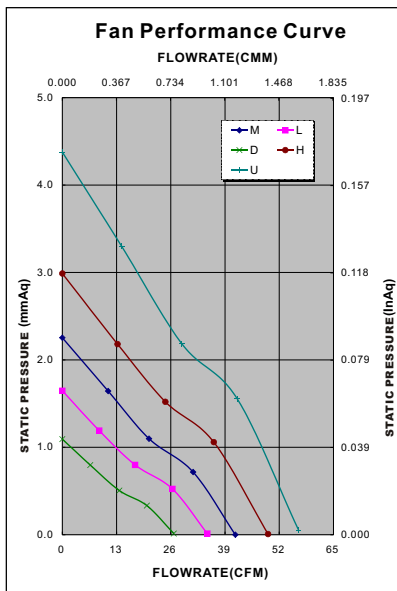
Frame: Plastic (UL:94v-0)  
 Impeller: Plastic (UL:94v-0)  
 Bearing: Hydro bearing  
 Lead wire: UL1007AWG24  
 OPERATING TEMP\*: -10C~70C  
 VOLTAGE AVAILABLE: 12V, 24V, 48V  
 \*: -10C~60C for fans with sleeve/ball combination bearings.

## Specifications (Nominal)

\*: Noise is measured at the distance of one (1) meter from the axis of intake.

Frame size (mm)	Model No.	Bearing System Type	Rated Voltage (v)	Rated Current (A)	Rated Power (W)	Rated Speed (rpm)	Maximum AirFlow		Maximum Pressure		Noise Level (dB/A)	Weight (g)
							(CMM)	(CFM)	(InAq)	(mmAq)		
92X92X25	AD0912UB-A70GL		12	0.30	3.60	3300	1.595	56.62	0.175	4.38	39.4	101
	AD0912HB-A70GL		12	0.25	3.00	2900	1.389	49.30	0.120	2.99	35.0	
	AD0912MB-A70GL		12	0.17	2.04	2400	1.169	41.49	0.090	2.25	31.3	
	AD0912LB-A70GL		12	0.13	1.56	2050	0.979	34.75	0.066	1.65	25.0	
	AD0912DB-A70GL		12	0.09	1.08	1600	0.753	26.72	0.044	1.09	18.0	
	AD0912UB-A71GL		12	0.39	4.68	3300	1.604	56.95	0.153	3.82	39.4	
	AD0912HB-A71GL		12	0.25	3.00	2900	1.400	49.69	0.116	2.89	35.0	
	AD0912MB-A71GL		12	0.17	2.04	2600	1.246	44.25	0.101	2.53	32.7	
	AD0912LB-A71GL		12	0.12	1.44	2300	1.064	37.76	0.078	1.94	29.8	
	AD0912DB-A71GL		12	0.07	0.84	1600	0.753	26.72	0.044	1.09	18.0	
	AD0924XB-A71GL		24	0.25	6.00	3800	1.868	66.32	0.218	5.45	45.0	
	AD0924UB-A71GL		24	0.21	5.04	3300	1.604	56.95	0.153	3.82	39.4	
	AD0924HB-A71GL		24	0.15	3.60	2900	1.400	49.69	0.116	2.89	35.0	
	AD0924MB-A71GL		24	0.12	2.88	2600	1.246	44.25	0.101	2.53	32.7	
	AD0924HB-A7AGL		24	0.15	3.60	2700	1.316	46.72	0.118	2.94	33.7	
	AD0948HB-A70GL		48	0.11	5.28	2900	1.389	49.30	0.120	2.99	35.0	
AD0948UB-A71GL		48	0.16	7.68	3500	1.717	60.95	0.177	4.42	42.0		
AD0948HB-A71GL		48	0.13	6.24	2900	1.389	49.30	0.120	2.99	35.0		

Specifications subject to change without notice.



\*Motor protective circuit and third lead wire functions

0	1	2	3	4	6	7	8	9	A	B
✓	✓	✓	✓		✓				✓	

\*Safety approvals

✓	✓		✓	✓	

