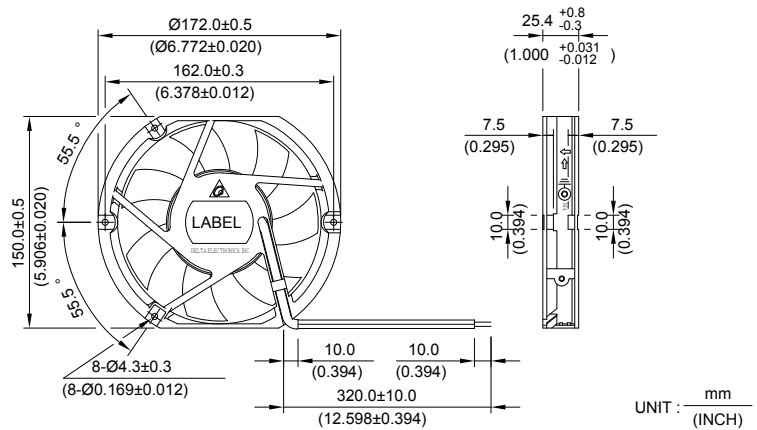


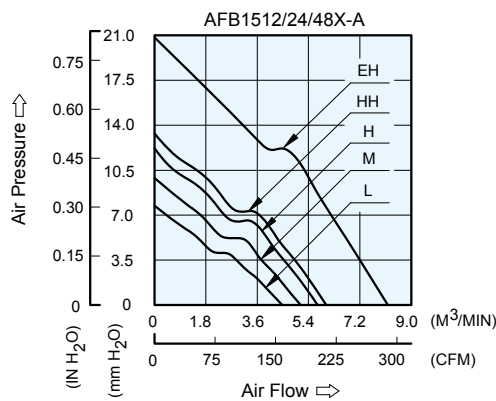
# AFB 172 x 150 x 25.4 MM SERIES

## DIMENSIONS DRAWING

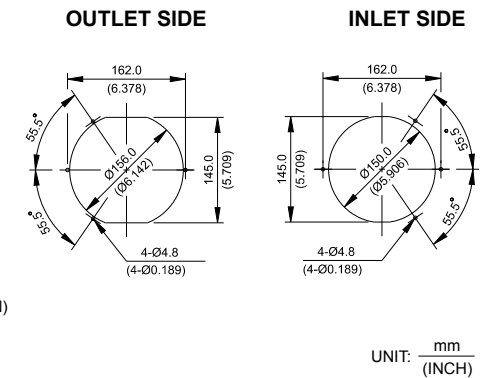


- \* Bearing Type  
Ball Bearings
- \* Material  
Impeller: Plastic (UL 94V-0)  
Frame: Die-cast Aluminum
- \* Lead Wires :  
UL 1007 AWG #24 OR Equivalent  
Red Wire Positive (+)  
Black Wire Negative (-)
- \* Weight : 430g (15.17 oz)

## P & Q CURVE (AT RATED VOLTAGE)



## MOUNTING PANEL CUTOUT



| MODEL     |      |             | Rated Voltage | Operating Voltage Range | Input Current | Input Power | Speed  | Maximum Air Flow    |        | Maximum Air Pressure |                     | Noise |
|-----------|------|-------------|---------------|-------------------------|---------------|-------------|--------|---------------------|--------|----------------------|---------------------|-------|
| PART NO.  | REV. | FUNCTION    | VDC           | VDC                     | Amp           | Watt        | R.P.M. | m <sup>3</sup> /min | CFM    | mmH <sub>2</sub> O   | IN H <sub>2</sub> O | dB-A  |
| AFB1512L  | -A   | -R00 / -F00 | 12            | 6.0 to 14.0             | 0.56          | 6.72        | 2400   | 4.553               | 160.77 | 7.75                 | 0.305               | 46.0  |
| AFB1524L  | -A   | -R00 / -F00 | 24            | 12.0 to 30.0            | 0.31          | 7.44        |        |                     |        |                      |                     |       |
| AFB1548L  | -A   | -R00 / -F00 | 48            | 24.0 to 60.0            | 0.17          | 8.16        |        |                     |        |                      |                     |       |
| AFB1512M  | -A   | -R00 / -F00 | 12            | 6.0 to 14.0             | 0.76          | 9.12        | 2700   | 5.134               | 181.32 | 9.70                 | 0.382               | 49.0  |
| AFB1524M  | -A   | -R00 / -F00 | 24            | 12.0 to 30.0            | 0.40          | 9.60        |        |                     |        |                      |                     |       |
| AFB1548M  | -A   | -R00 / -F00 | 48            | 24.0 to 60.0            | 0.22          | 10.56       |        |                     |        |                      |                     |       |
| AFB1512H  | -A   | -R00 / -F00 | 12            | 6.0 to 14.0             | 0.98          | 11.76       | 3000   | 5.735               | 202.54 | 11.85                | 0.467               | 52.0  |
| AFB1524H  | -A   | -R00 / -F00 | 24            | 12.0 to 30.0            | 0.50          | 12.00       |        |                     |        |                      |                     |       |
| AFB1548H  | -A   | -R00 / -F00 | 48            | 24.0 to 60.0            | 0.27          | 12.96       |        |                     |        |                      |                     |       |
| AFB1512HH | -A   | -R00 / -F00 | 12            | 6.0 to 14.0             | 1.17          | 14.04       | 3200   | 6.084               | 214.85 | 13.30                | 0.524               | 53.5  |
| AFB1524HH | -A   | -R00 / -F00 | 24            | 12.0 to 30.0            | 0.62          | 14.88       |        |                     |        |                      |                     |       |
| AFB1548HH | -A   | -R00 / -F00 | 48            | 24.0 to 60.0            | 0.31          | 14.88       |        |                     |        |                      |                     |       |
| AFB1512EH | -A   | -R00 / -F00 | 12            | 7.0 to 13.8             | 3.00          | 36.00       | 4300   | 8.230               | 290.64 | 20.85                | 0.821               | 61.5  |
| AFB1524EH | -A   | -R00 / -F00 | 24            | 15.8 to 27.6            | 1.60          | 38.40       |        |                     |        |                      |                     |       |

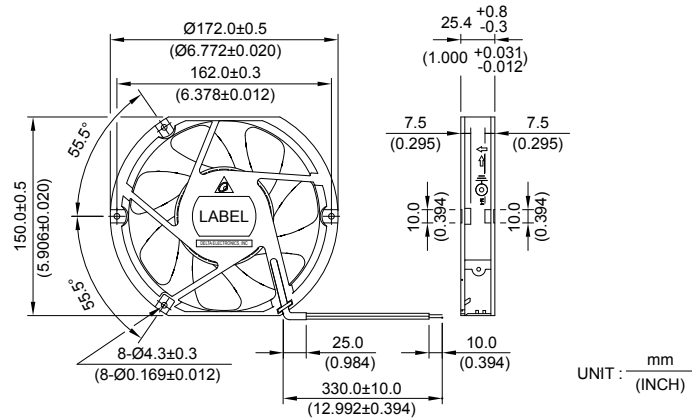
\* Function type is optional.  
 \* The max. air flow and the speed are measured in free air ; max. air pressure is measured at zero air flow.  
 \* Noise is measured in anechoic chamber in free air, one meter from intake side.  
 \* All readings are typical values at rated voltage.  
 \* Specifications are subject to change without notice.

*New*



# AFB 172 x 150 x 25.4 MM SERIES

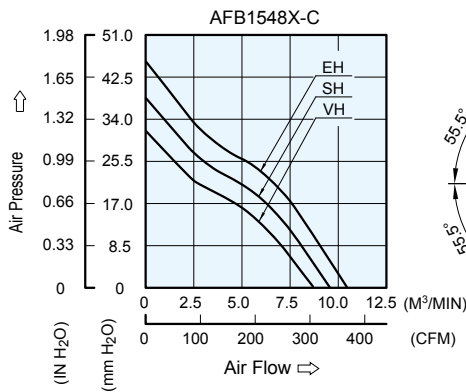
## DIMENSIONS DRAWING



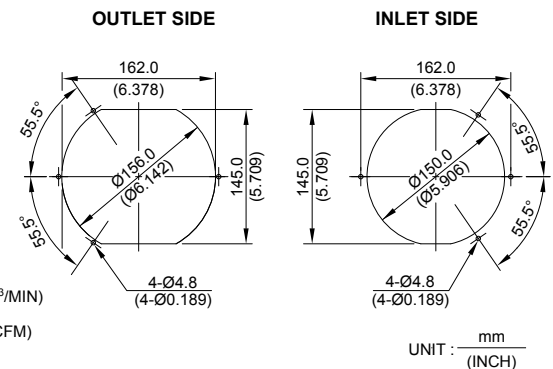
UNIT :  $\frac{\text{mm}}{\text{(INCH)}}$

- \* Bearing Type  
Ball Bearings
- \* Material  
Impeller : Plastic (UL 94V-0)  
Frame : Die-Cast Aluminum
- \* Lead Wires :  
UL 1007 AWG #24 OR Equivalent  
Red Wire Positive(+)  
Black Wire Negative(-)
- \* Weight : 435g (28.22 oz)

## P & Q CURVE (AT RATED VOLTAGE)



## MOUNTING PANEL CUTOUT



UNIT :  $\frac{\text{mm}}{\text{(INCH)}}$

| MODEL     |      |             | Rated Voltage | Operating Voltage Range | Input Current | Input Power | Speed  | Maximum Air Flow    |        | Maximum Air Pressure |                     | Noise |
|-----------|------|-------------|---------------|-------------------------|---------------|-------------|--------|---------------------|--------|----------------------|---------------------|-------|
| PART NO.  | REV. | FUNCTION    | VDC           | VDC                     | Amp           | Watt        | R.P.M. | m <sup>3</sup> /min | CFM    | mmH <sub>2</sub> O   | IN H <sub>2</sub> O | dB-A  |
| AFB1548VH | -C   | -R00 / -F00 | 48            | 35.0 to 60.0            | 0.72          | 34.56       | 5000   | 8.700               | 307.24 | 31.82                | 1.253               | 64.5  |
| AFB1548SH | -C   | -R00 / -F00 | 48            | 35.0 to 60.0            | 0.92          | 44.16       | 5500   | 9.570               | 337.96 | 38.50                | 1.516               | 67.0  |
| AFB1548EH | -C   | -R00 / -F00 | 48            | 35.0 to 60.0            | 1.20          | 57.60       | 6000   | 10.440              | 368.68 | 45.82                | 1.804               | 69.0  |

\* Function type is optional.  
 \* The max. air flow and the speed are measured in free air ; max. air pressure is measured at zero air flow.  
 \* Noise is measured in anechoic chamber in free air, one meter from intake side.  
 \* All readings are typical values at rated voltage.  
 \* Specifications are subject to change without notice.

# Mouser Electronics

Authorized Distributor

Click to View Pricing, Inventory, Delivery & Lifecycle Information:

## Delta Electronics:

[AFB1548L-AF00](#) [AFB1512HH-TA50](#) [AFB1524HH-AR00](#) [AFB1548H-AR00](#) [AFB1548L-A](#) [AFB1524M-A](#) [AFB1548H-A](#) [AFB1548M-AF00](#) [AFB1548HH-A](#) [AFB1548VH-C](#) [AFB1548HH-AF00](#) [AFB1548SH-C](#) [AFB1524H-A](#) [AFB1524EH-AF00](#) [AFB1548VH-CR00](#) [AFB1524M-AR00](#) [AFB1512L-AR00](#) [AFB1524EH-AR00](#) [AFB1548M-AR00](#) [AFB1524L-AF00](#) [AFB1548M-A](#) [AFB1512HH-AR00](#) [AFB1548SH-CR00](#) [AFB1512H-AF00](#) [AFB1512M-AF00](#) [AFB1512EH-AF00](#) [AFB1524HH-A](#) [AFB1512HH-A](#) [AFB1512H-AR00](#) [AFB1512L-AF00](#) [AFB1512M-AR00](#) [AFB1548L-AR00](#) [AFB1524HH-AF00](#) [AFB1524L-A](#) [AFB1512L-TA50](#) [AFB1512HH-AF00](#) [AFB1512M-A](#) [AFB1548H-AF00](#) [AFB1548VH-CF00](#) [AFB1512H-A](#) [AFB1524L-AR00](#) [AFB1512EH-A](#) [AFB1524H-AR00](#) [AFB1512EH-AR00](#) [AFB1548HH-AR00](#) [AFB1524M-AF00](#) [AFB1512L-A](#) [AFB1524EH-A](#) [AFB1548SH-CF00](#)