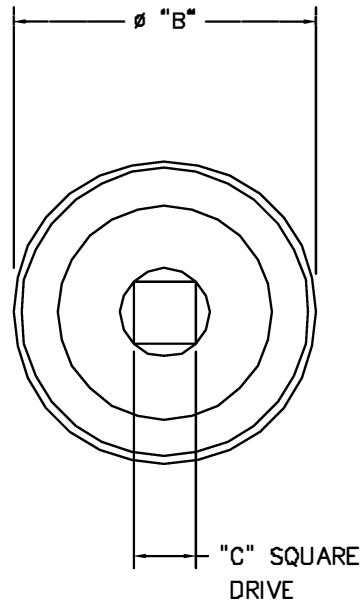
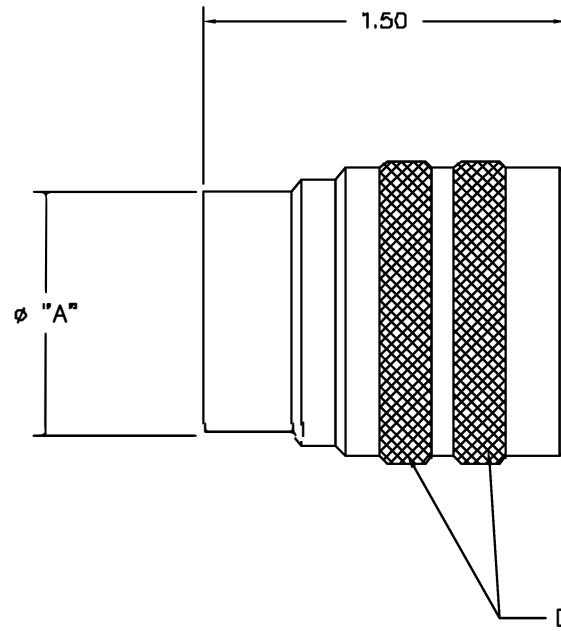


REVISIONS				
REV. SYM.	E.G.D. NUMBER	DESCRIPTION	BY DATE	APP'D DATE
1		ORIGINAL RELEASE	JBP 8-13-84	BG 8-13-84



CM389T-25B	1.559	1.750	3/8	C,D,E
CM389T-25A				N,A,B
CM389T-23B	1.434	1.625	3/8	C,D,E
CM389T-23A				N,A,B
CM389T-21B	1.309	1.500	3/8	C,D,E
CM389T-21A				N,A,B
CM389T-19B	1.184	1.375	3/8	C,D,E
CM389T-19A				N,A,B
CM389T-17B	1.082	1.250	.25	C,D,E
CM389T-17A				N,A,B
CM389T-15B	.948	1.125	.25	A,B,C
CM389T-15A				N,D,E
CM389T-13B	.823	1.000	.25	A,B,C
CM389T-13A				N,D,E
CM389T-11B	.689	.875	.25	A,B,C
CM389T-11A				N,D,E
CM389T-9B	.573	.812	.25	A,B,E
CM389T-9A				N,C,D
PART NO.	DIM. "A"	DIM. "B"	DIM. "C"	KEYING POSITIONS

**UNCONTROLLED DOCUMENT
WILL NOT BE UPDATED**

1. FOR MIL-C-38999 SERIES 3 PLUGS.

NOTES:

RESTRICTED & CONFIDENTIAL CONFIDENTIAL PROPERTY OF DANIELS MANUFACTURING CORP. NOT TO BE DISCLOSED TO OTHERS, REPRODUCED OR USED FOR ANY OTHER PURPOSE EXCEPT AS AUTHORIZED IN WRITING BY DANIELS MANUFACTURING. MUST BE RETURNED TO DANIELS MANUFACTURING CORP. ON COMPLETION OF ORDER OR OTHER PURPOSE FOR WHICH LENT.	MATERIAL	ITEM	PART NO.	QTY.	DESCRIPTION/REMARKS
	HEAT TREAT	DRN.	JBP	DATE	DANIELS MANUFACTURING CORP. ORLANDO, FLORIDA CAGE 11851
		DRN.	BG	DATE	
	FINISH	APP'D.	JS	DATE	TITLE
APP'D.			DATE	WHERE USED:	SIZE: B SCALE: 2X CAD P/N: CM-S-389T-ENV SHEET OF: 1 1 POSTING: P/N: CM-S-389T-ENV REV: 1
DO NOT SCALE DRAWING					